

CHALICE PENDANT LED DOWNLIGHT

100 Watt LED

The 100 Watt Chalice pendant downlight from Altman Lighting is designed for permanent installation and energy savings. Offering all of the benefits and longevity of an LED luminaire, changing lamps in your fixtures has now become a thing of the past.

Adding a fixture into a DMX system control system is easy with the simple three-button DMX addressing that is easily accessible from the top of the fixture - set it once and enjoy a smoothly integrated and energy efficient illumination solution for your area of choice.

The 100W Pendant Chalice fixture is able to be controlled by your DMX Control console & architectural control system; for facilities without a DMX control system the 100W Pendant Chalice is also available in a mains dimmable fixture, or for easy retrofit to a current installation for energy savings.



Product Features:

- Available in three mounting options - Pendant, Wall, and Yoke
- 100W LED driver
- Ten interchangeable lenses
- 45° swivel ball ceiling mount
- DMX or Mains Dimmable (note, mains dimmable only available in a single color LED only)
- Push Button DMX Addressing and RDM compatibility
- DMX Pass through
- 8-bit or 16-bit selectable DMX modes
- cETLus listed for indoor applications
- Proudly made in the USA

CHALICE PENDANT LED DOWNLIGHT

100 Watt LED

Photometrics

Photometric data taken with all channels at full, and reflects the output of the fixture with each of the lensing systems installed. Comparisons between fixtures should only be made with photometric data that incorporates the lensing system to be used. Photometric data collected using a 3,000K White LED fixture.

Performance Per Lens

| VNSP Lens (18-0110) | | | | |
|---------------------|----------------------------|----------------------------|------------------------------|----------------------------|
| Throw Distance (d) | 10' / 3m | 15' / 4.6m | 20' / 6.1m | 25' / 7.6m |
| Field Size (HxV) | 1.9' x 1.9' 0.6m x 0.6m | 2.9' x 2.9' 0.9m x 0.9m | 3.86' x 3.86' 1.2m x 1.2m | 4.8' x 4.8' 1.5m x 1.5m |
| Illuminance (fc) | 639 | 284 | 160 | 102 |
| Illuminance (lux) | 6,876 | 3,056 | 1,722 | 1,098 |

| NSP Lens (18-0111) | | | | |
|--------------------|----------------------------|----------------------------|----------------------------|----------------------------|
| Throw Distance (d) | 10' / 3m | 15' / 4.6m | 20' / 6.1m | 25' / 7.6m |
| Field Size (HxV) | 2.1' x 2.1' 0.6m x 0.6m | 3.2' x 3.2' 1.0m x 1.0m | 4.3' x 4.3' 1.3m x 1.3m | 5.3' x 5.3' 1.6m x 1.6m |
| Illuminance (fc) | 528 | 235 | 132 | 102 |
| Illuminance (lux) | 5,681 | 2,529 | 1,420 | 1,098 |

| MFL Lens (18-0112) | | | | |
|--------------------|----------------------------|----------------------------|----------------------------|----------------------------|
| Throw Distance (d) | 10' / 3m | 15' / 4.6m | 20' / 6.1m | 25' / 7.6m |
| Field Size (HxV) | 3.2' x 1.9' 1.0m x 0.6m | 4.8' x 2.9' 1.5m x 0.9m | 6.4' x 3.8' 2.0m x 1.2m | 8.0' x 4.8' 2.4m x 1.5m |
| Illuminance (fc) | 256 | 114 | 64 | 41 |
| Illuminance (lux) | 2,755 | 1,227 | 689 | 441 |

| WFL Lens (18-0113) | | | | |
|--------------------|----------------------------|----------------------------|-----------------------------|-----------------------------|
| Throw Distance (d) | 10' / 3m | 15' / 4.6m | 20' / 6.1m | 25' / 7.6m |
| Field Size (HxV) | 5.0' x 2.1' 1.5m x 0.7m | 7.5' x 3.2' 2.3m x 1.0m | 10.0' x 4.2' 3.0m x 1.3m | 12.5' x 5.3' 3.8m x 1.6m |
| Illuminance (fc) | 114 | 51 | 29 | 18 |
| Illuminance (lux) | 1,227 | 549 | 280 | 194 |

| XWFL Lens (18-0114) | | | | |
|---------------------|----------------------------|------------------------------|------------------------------|------------------------------|
| Throw Distance (d) | 10' / 3m | 15' / 4.6m | 20' / 6.1m | 25' / 7.6m |
| Field Size (HxV) | 9.5' x 9.6' 2.9m x 2.9m | 14.3' x 14.3' 4.4m x 4.4m | 19.0' x 19.0' 5.8m x 5.8m | 23.8' x 24.0' 7.2m x 7.3m |
| Illuminance (fc) | 35 | 18 | 11 | 7 |
| Illuminance (lux) | 377 | 204 | 118 | 75 |

| 20° Conical Lens (SS-8CDL-20) | | | | |
|-------------------------------|----------------------------|----------------------------|-----------------------------|------------------------------|
| Throw Distance (d) | 10' / 3m | 15' / 4.6m | 20' / 6.1m | 25' / 7.6m |
| Field Size (HxV) | 5.2' x 4.7' 1.6m x 1.4m | 7.8' x 7.5' 2.4m x 2.3m | 10.4' x 9.4' 3.2m x 2.9m | 13.0' x 11.8' 4.0m x 3.6m |
| Illuminance (fc) | 95 | 42 | 24 | 15 |
| Illuminance (lux) | 1,022 | 452 | 258 | 161 |

| 30° Conical Lens (SS-8CDL-30) | | | | |
|-------------------------------|----------------------------|------------------------------|------------------------------|------------------------------|
| Throw Distance (d) | 10' / 3m | 15' / 4.6m | 20' / 6.1m | 25' / 7.6m |
| Field Size (HxV) | 6.5' x 6.5' 2.0m x 2.0m | 10.0' x 10.0' 3.0m x 3.0m | 16.0' x 16.0' 5.0m x 5.0m | 23.0' x 23.0' 7.0m x 7.0m |
| Illuminance (fc) | 39 | 17 | 10 | 6 |
| Illuminance (lux) | 420 | 183 | 108 | 65 |

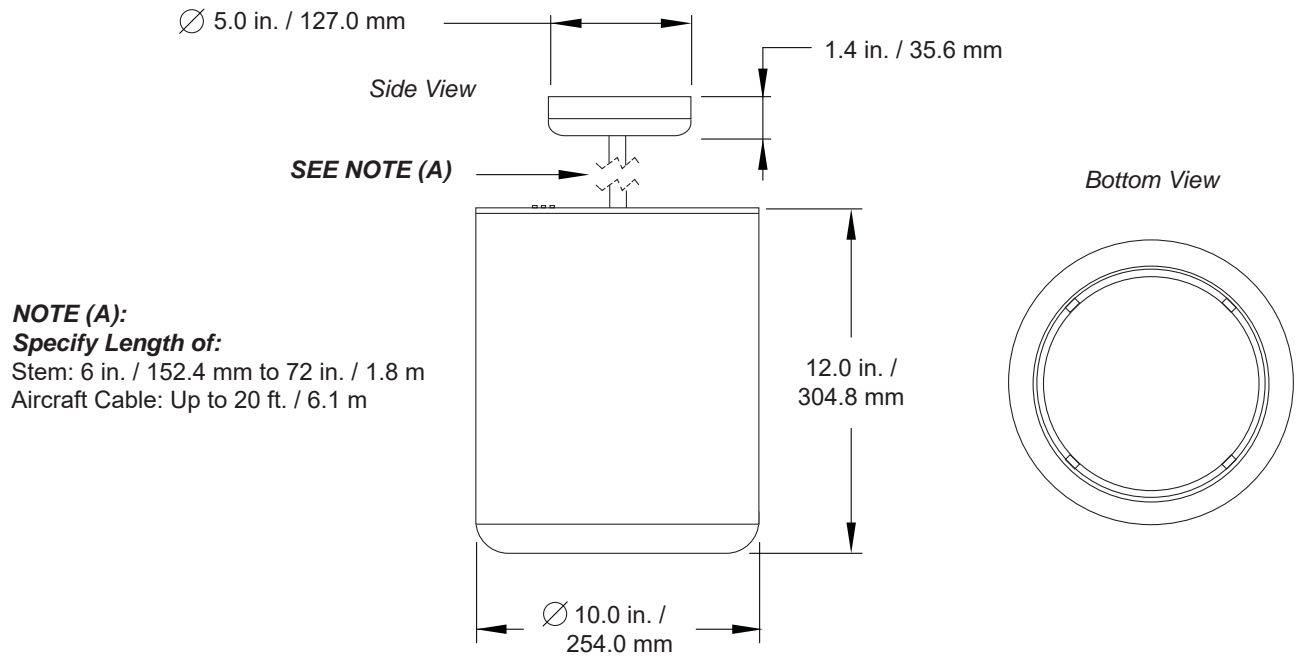
| 60° Conical Lens (SS-8CDL-60) | | | | |
|-------------------------------|------------------------------|------------------------------|------------------------------|------------------------------|
| Throw Distance (d) | 10' / 3m | 15' / 4.6m | 20' / 6.1m | 25' / 7.6m |
| Field Size (HxV) | 11.3' x 12.0' 3.4m x 3.7m | 17.0' x 18.0' 5.2m x 5.5m | 23.0' x 24.0' 7.0m x 7.3m | 28.0' x 30.0' 8.5m x 9.0m |
| Illuminance (fc) | 30 | 13 | 7.5 | 5 |
| Illuminance (lux) | 323 | 140 | 81 | 54 |

| P95 Diffusion Lens (SS-8CDL-P95) | | | | |
|----------------------------------|----------------------------|----------------------------|----------------------------|----------------------------|
| Throw Distance (d) | 10' / 3m | 15' / 4.6m | 20' / 6.1m | 25' / 7.6m |
| Field Size (HxV) | 3.8' x 3.8' 1.2m x 1.2m | 5.7' x 5.7' 1.7m x 1.7m | 7.6' x 7.6' 2.3m x 2.3m | 9.5' x 9.5' 2.9m x 2.9m |
| Illuminance (fc) | 235 | 104 | 59 | 38 |
| Illuminance (lux) | 2,529 | 1,119 | 635 | 409 |

CHALICE PENDANT LED DOWNLIGHT

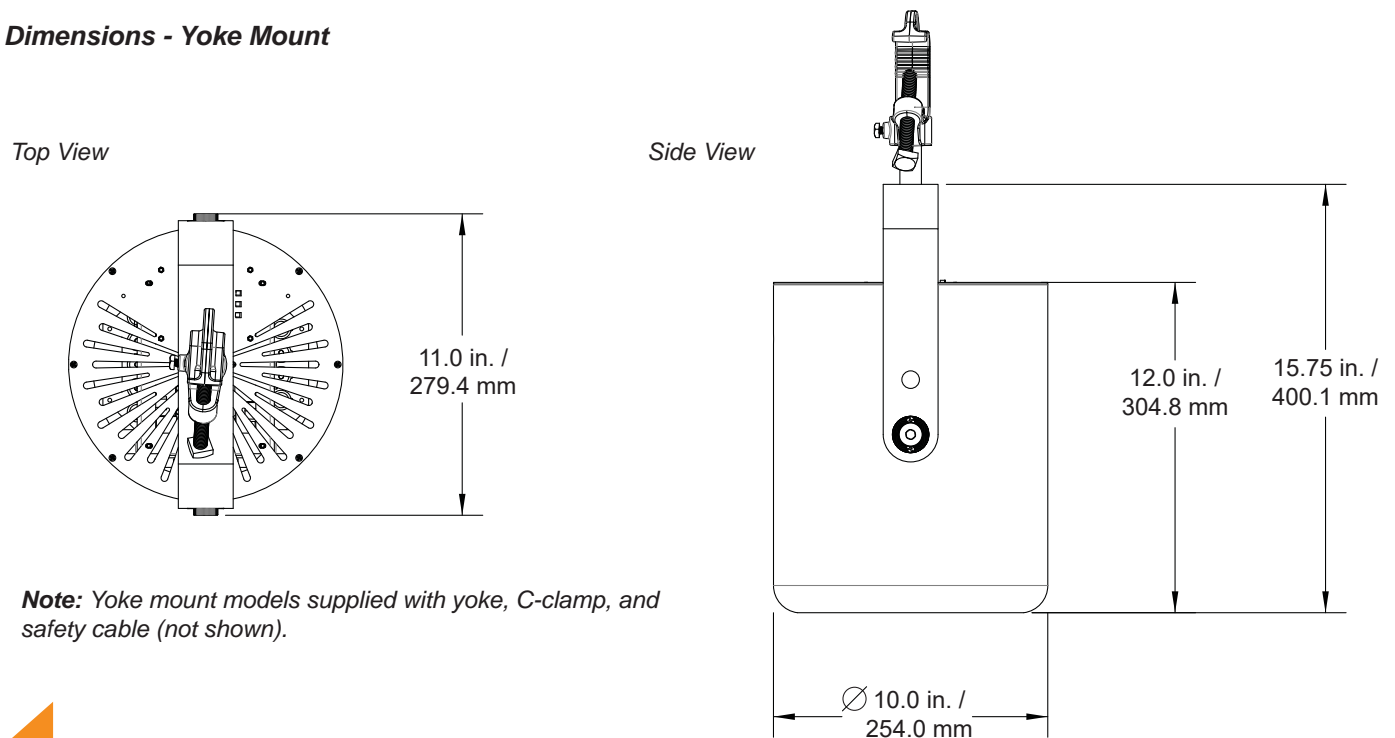
100 Watt LED

Product Dimensions - Pendant Mount



NOTE (A):
Specify Length of:
 Stem: 6 in. / 152.4 mm to 72 in. / 1.8 m
 Aircraft Cable: Up to 20 ft. / 6.1 m

Product Dimensions - Yoke Mount



Note: Yoke mount models supplied with yoke, C-clamp, and safety cable (not shown).

Specifications

| | |
|------------------------|---|
| Materials: | Construction employs all corrosion-resistant materials and hardware. |
| Housing: | Corrosion resistant aluminum outer shell with aluminum interior components. |
| Control: | Mains Dimmable or DMX / RDM |
| Light Engines: | DMX Models: 100W LED Array - Available in 3000K, 6000K, 3000K to 6000K Tunable White, RGBA, and RGBW. Mains Dimmable Models: 100W LED Array - Available in 3000K and 6000K(standard), Custom arrays available - consult factory before ordering. |
| LED Rated Life: | LED array are rated for >50,000 hours of operation. |
| Input Voltage: | 100-240 VAC 50/60 Hz 0.83A @120VAC 0.42A @ 240VAC |
| Cooling: | Natural Convection |
| Environment: | 0 to 40 degrees C (32 to 104 degrees F) |
| Lenses: | 8-inch diameter borosilicate glass, PAR64 or acrylic conical |
| Weight: | 12 Pounds (5.44Kg.) |
| Compliance: | cETLus Listed |

Ordering Information

CD(Mounting)100-(LED Array)-(Body Color)-(Control)-(Voltage)

| | |
|-----------------|---|
| Model: | Chalice 100W LED Luminaire |
| Mounting: | Pendant (P), Wall (W), or Yoke (Y)*** |
| LED Array: | RGBA or RGBW or 3K or 4K or 6K or 3K6K (tunable white) or Custom (C)* |
| Tim Ring Color: | Black (B) or White (W) or Custom (C)* |
| Control: | DMX Control (D) or Mains Dimmable (M)** |
| Voltage: | 120VAC (120) or 220-240VAC (220) |

Notes:

*Consult factory before ordering.

**Mains Dimmable models are only available with a single color LED array (not available in RGBA or RGBW).

***Yoke mount models supplied with yoke and C-clamp.

Optional Accessories

| | |
|--------------------|------------------------------|
| 18-0110 | Very Narrow Spot Lens |
| 18-0111 | Narrow Flood Spread Lens |
| 18-0112 | Medium Flood Spread Lens |
| 18-0113 | Wide Flood Spread Lens |
| 18-0114 | Extra Wide Flood Spread Lens |
| SS-8CDL-20 | 20° Beam Angle Lens |
| SS-8CDL-30 | 30° Beam Angle Lens |
| SS-8CDL-40 | 40° Beam Angle Lens |
| SS-8CDL-60 | 60° Beam Angle Lens |
| SS-8CDL-P95 | P95 Diffusion Lens |

NOTE: When using diffusers (20°, 30°, 40°, 60° and P95) please allow for a minimum throw distance of 10'-0" (approximately 3m) for color uniformity.

| | |
|----------------------|------------------------------------|
| 70-3980 | Aircraft Cable Suspension Assembly |
| 99-C545-S | Ball Mount Assembly |
| CDP100-SN-* | Full Snoot |
| CDP100-HSN-* | Half Snoot |
| CDP100-CBSN-* | Cross Baffle Snoot |

Note: * For these optional accessories, specify color Black (B), White (W) or Custom (C). For custom colors, consult factory before ordering.