

CHALICE PENDANT LED DOWNLIGHT

70 Watt LED

The Chalice 70 pendant LED downlight follows the Altman Lighting tradition of lighting quality. Designed specifically for the demands of theaters, churches and public venues, the Chalice 70 is a 70 Watt White LED pendant fixture that is an energy-efficient solution to general lighting needs.

The Chalice 70 addresses and alleviates the typical maintenance routines of changing lamps and ballasts in difficult-to-access locations. The Chalice 70 uses a single-point source for optimal beam control, and offers a variety of reflector options for ceiling heights from 10 to 50 feet. Its powerful and clean non-pixelated and non-granulated output blends to seamless coverage in the most elegant setting.

Extremely smooth dimming reproduces the comfortable feel of traditional incandescent sources, at a fraction of the power consumption. Either Mains Dimmable or DMX control allows each fixture to be controlled via an existing dimming system or from an architectural control system and/or directly from a theatrical control console.



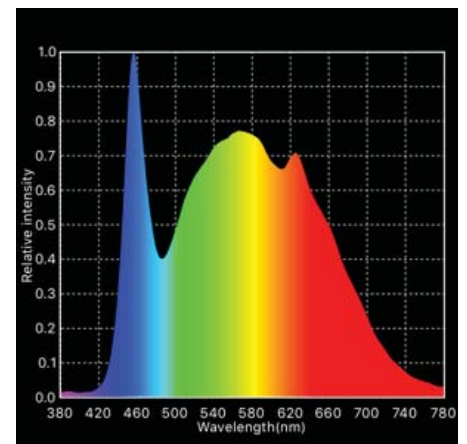
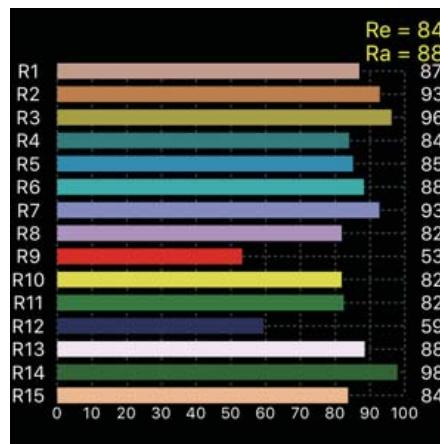
Product Features:

- 70W LED driver
- 7 interchangeable reflectors
- CCT options 2700K, 3000K, 4000K, or 5000K
- 40° swivel ball ceiling mount
- DMX or Mains Dimmable
- Push Button DMX Addressing and RDM compatibility
- DMX Pass through
- Single channel high resolution DMX
- Selectable actions on loss of control signal (for DMX models only)
- Available in white, black or custom colors
- cETLus listed and CE marked for indoor applications
- Proudly made in the USA

Photometric Performance

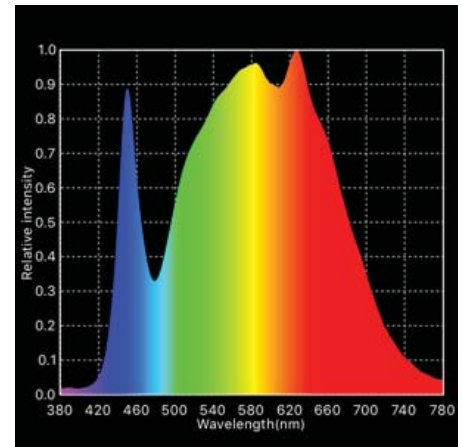
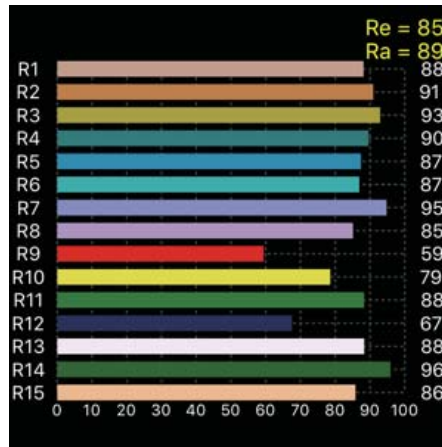
Note: Other CCT values continued on next page.

CHALICE CDP70 PHOTOMETRIC SCORE CARD – 5000K	
CCT	4692
DUV	.0056
CRI	90
CQS	87
RE(R1-15)	84
TLCI Qa)	89.8
TM-30-15 rf	85
TM-30-15 rg	94

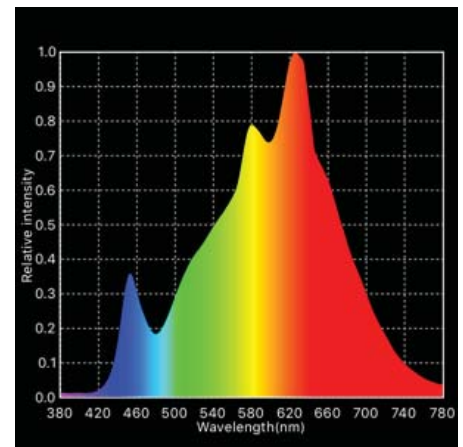
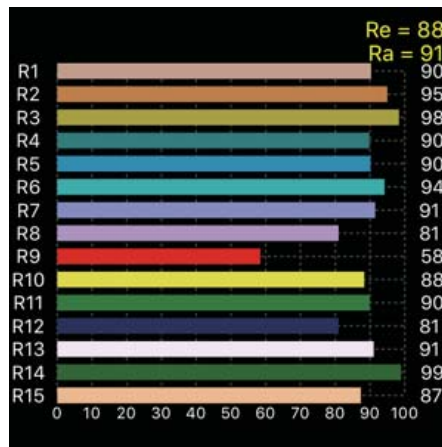


Photometric Performance (continued)

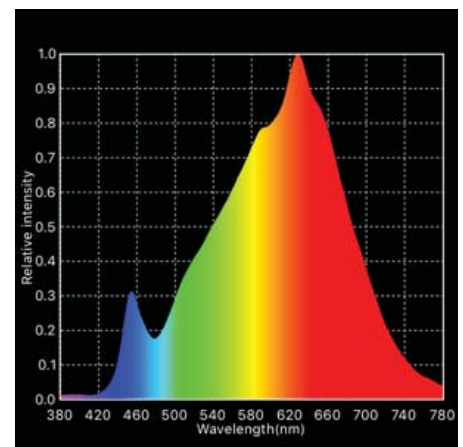
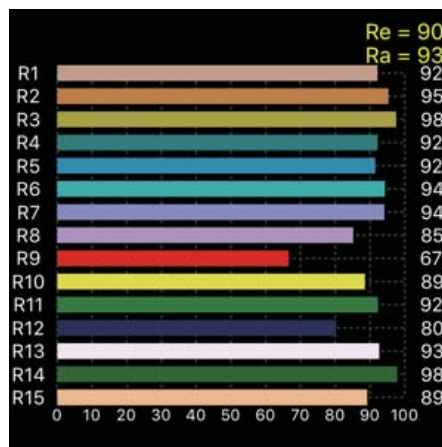
CHALICE CDP70 PHOTOMETRIC SCORE CARD – 4000K	
CCT	3927
DUV	.0039
CRI	90
CQS	89
RE(R1-15)	85
TLCI Qa)	91.6
TM-30-15 rf	89
TM-30-15 rg	98



CHALICE CDP70 PHOTOMETRIC SCORE CARD – 3000K	
CCT	2826
DUV	-.0033
CRI	91
CQS	91
RE(R1-15)	88
TLCI Qa)	89.3
TM-30-15 rf	90
TM-30-15 rg	99



CHALICE CDP70 PHOTOMETRIC SCORE CARD – 2700K	
CCT	2750
DUV	.0018
CRI	93
CQS	93
RE(R1-15)	90
TLCI Qa)	94.2
TM-30-15 rf	91
TM-30-15 rg	98



Note: Complete TM-30 information can be found in the CDP70 Photometrics information sheet. This document is found on the Altman Lighting web site in the CDP70 pendant luminaire Support section.

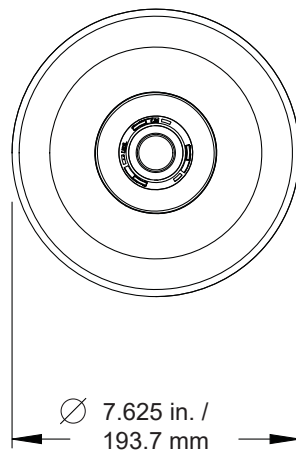
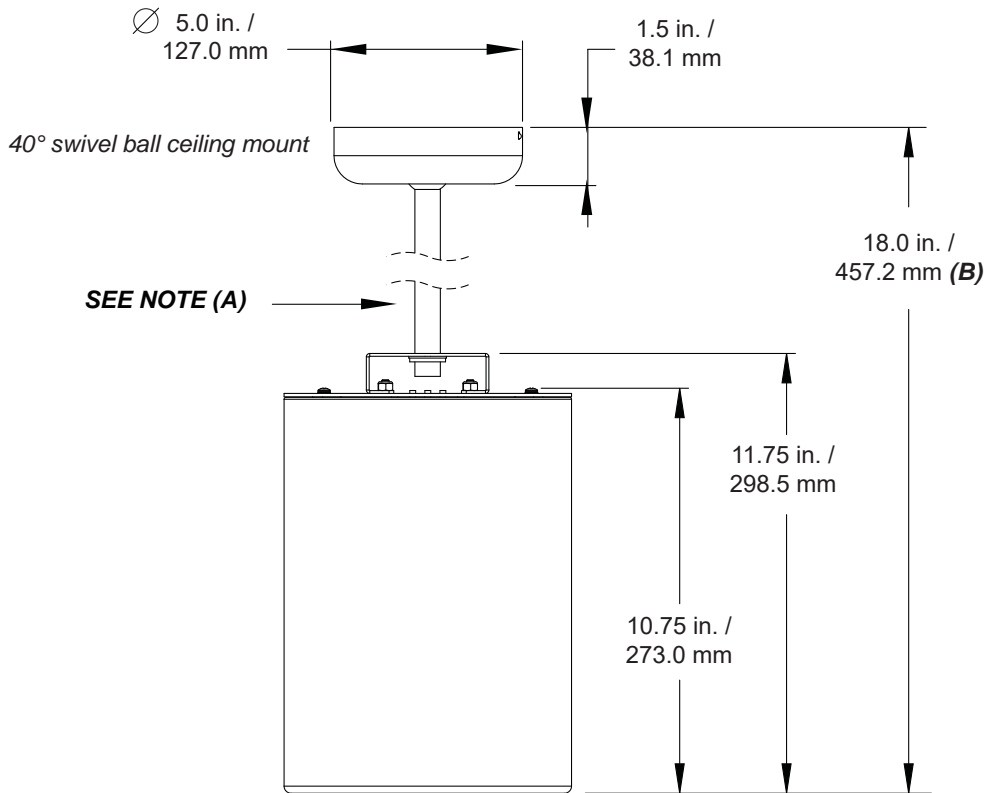
Photometric Performance

Photometric data taken with CDP70 fixture at the shown CCT values. Some Clipping of the beam will occur with the use of the 91 degree Extra Wide Flood Reflector please see Chalice 70 IES files on the Altman Lighting web site for additional beam characteristics.

CCT	Reflector Type	Lumen Output	10'-0" (3.048m)	20'-0" (6.096m)	30'-0" (9.144m)	40'-0" (12.192m)	50'-0" (15.240m)	
5000K	20 Degree Narrow Spot	7016.0	554.3	138.6	61.6	8.7	3.8	fc
			5964.3	1491.1	662.7	93.2	41.4	lux
	29 Degree Spot	6204.0	198.2	49.6	22.0	3.1	1.4	fc
			2132.6	533.2	237.0	33.3	14.8	lux
	39 Degree Narrow Flood	6526.0	116.6	29.2	13.0	1.8	0.8	fc
			1254.6	313.7	139.4	19.6	8.7	lux
	46 Degree Medium Flood	6193.0	100.2	25.1	11.1	1.6	0.7	fc
			1078.2	269.5	119.8	16.8	7.5	lux
51 Degree Wide Flood	6382.0	76.4	19.1	8.5	1.2	0.5	fc	
		822.1	205.5	91.3	12.8	5.7	lux	
64 Degree Very Wide Flood	6429.0	58.3	14.6	6.5	0.9	0.4	fc	
		627.1	156.8	69.7	9.8	4.4	lux	
91 Degree Extra Wide Flood	6079.0	36.5	9.1	4.1	0.6	0.3	fc	
		393.2	98.3	43.7	6.1	2.7	lux	
4000K	20 Degree Narrow Spot	7076.0	559.0	139.8	62.1	8.7	3.9	fc
			6014.8	1503.7	668.3	94.0	41.8	lux
	29 Degree Spot	6257.0	199.0	49.8	22.1	3.1	1.4	fc
			2141.2	535.3	237.9	33.5	14.9	lux
	39 Degree Narrow Flood	6582.0	117.6	29.4	13.1	1.8	0.8	fc
			1265.4	316.3	140.6	19.8	8.8	lux
	46 Degree Medium Flood	6246.0	99.2	24.8	11.0	1.6	0.7	fc
			1067.4	266.8	118.6	16.7	7.4	lux
51 Degree Wide Flood	6436.0	77.1	19.3	8.6	1.2	0.5	fc	
		829.6	207.4	92.2	13.0	5.8	lux	
64 Degree Very Wide Flood	6484.0	58.8	14.7	6.5	0.9	0.4	fc	
		632.2	158.0	70.2	9.9	4.4	lux	
91 Degree Extra Wide Flood	6131.0	36.8	9.2	4.1	0.6	0.3	fc	
		396.1	99.0	44.0	6.2	2.8	lux	
3000K	20 Degree Narrow Spot	6032.0	476.6	119.2	53.0	7.4	3.3	fc
			5128.2	1282.1	569.8	80.1	35.6	lux
	29 Degree Spot	5334.0	170.4	42.6	18.9	2.7	1.2	fc
			1833.5	458.4	203.7	28.6	12.7	lux
	39 Degree Narrow Flood	5611.0	100.2	25.1	11.1	1.6	0.7	fc
			1078.2	269.5	119.8	16.8	7.5	lux
	46 Degree Medium Flood	5325.0	86.2	21.6	9.6	1.3	0.6	fc
			927.5	231.9	103.1	14.5	6.4	lux
51 Degree Wide Flood	5486.0	65.7	16.4	7.3	1.0	0.5	fc	
		706.9	176.7	78.5	11.0	4.9	lux	
64 Degree Very Wide Flood	5527.0	50.1	12.5	5.6	0.8	0.3	fc	
		539.1	134.8	59.9	8.4	3.7	lux	
91 Degree Extra Wide Flood	5226.0	31.4	7.9	3.5	0.5	0.2	fc	
		338.0	84.5	37.6	5.3	2.3	lux	
2700K	20 Degree Narrow Spot	6084.0	480.7	120.2	53.4	7.5	3.3	fc
			5172.3	1293.1	574.7	80.8	35.9	lux
	29 Degree Spot	5380.0	171.9	43.0	19.1	2.7	1.2	fc
			1849.6	462.4	205.5	28.9	12.8	lux
	39 Degree Narrow Flood	5659.0	101.1	25.3	11.2	1.6	0.7	fc
			1087.8	272.0	120.9	17.0	7.6	lux
	46 Degree Medium Flood	5371.0	86.9	21.7	9.7	1.4	0.6	fc
			935.0	233.8	103.9	14.6	6.5	lux
51 Degree Wide Flood	5534.0	66.3	16.6	7.4	1.0	0.5	fc	
		713.4	178.3	79.3	11.1	5.0	lux	
64 Degree Very Wide Flood	5575.0	50.5	12.6	5.6	0.8	0.4	fc	
		543.1	135.8	60.3	8.5	3.8	lux	
91 Degree Extra Wide Flood	5271.0	31.7	7.9	3.5	0.5	0.2	fc	
		340.9	85.2	37.9	5.3	2.4	lux	

Dimensional Drawings

Pendant Models



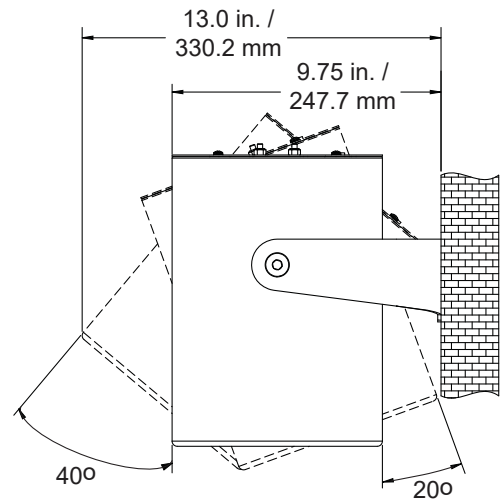
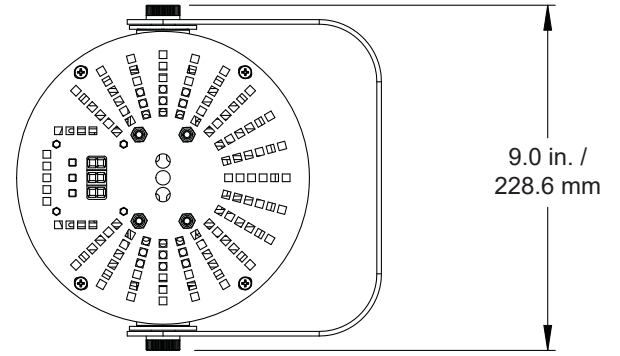
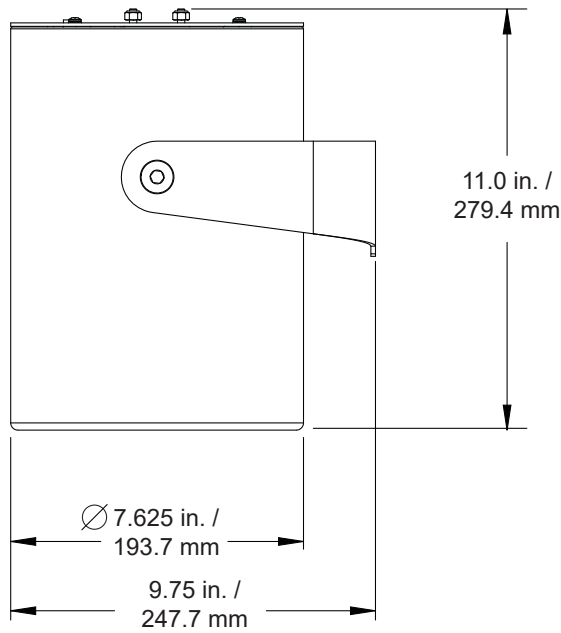
Bottom View

NOTES:

- (A) Specify Length of either Stem: 6 in. / 152.4 mm (minimum) or Aircraft Cable: Up to 20 ft. / 6.1 m
- (B) Measurement shown with 6-inch stem for reference only.

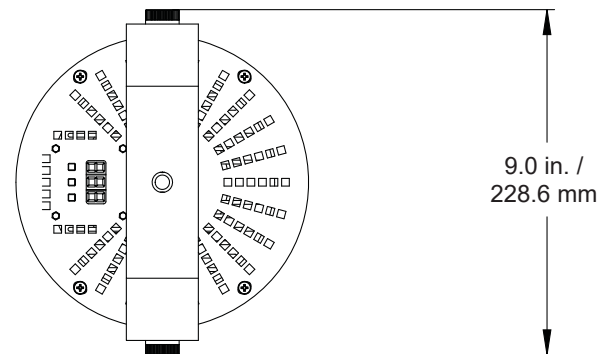
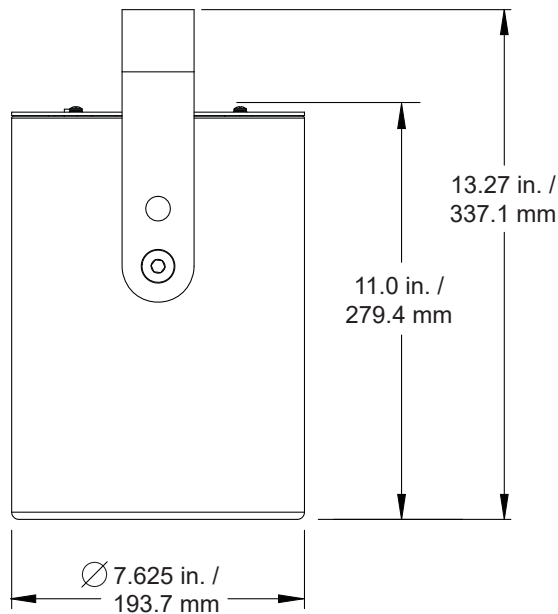
Dimensional Drawings

Wall Mount Models



Dimensional Drawings

Yoke Mount Models



Specifications

Materials:	Construction employs all corrosion-resistant materials and hardware.
Control:	Mains Dimmable or DMX / RDM
Light Engines:	70W LED Array - Available in 2700K, 3000K, 4000K or 5000K White / CRI > 90
Light Output:	See Page 3 of this Document
Lumens/Watt:	100 (dependent on reflector)
LED Rated Life:	LED arrays are rated for >50,000 hours of operation.
Input Voltage:	DMX Models: 100-277 VAC 50/60 Hz Mains Dimmable Models: 100-240 VAC 50/60 Hz
Current Draw:	DMX Models: 0.58A @ 120VAC / 0.32A @220VAC / 0.25A @ 277VAC Mains Dimmable Models: 0.58A @120VAC / 0.29A @ 240VAC
Power Factor:	> 0.92 @ Full Load (Mains Dimmable Models)
Current Inrush:	15Apk Max 1/2 cycle @230VAC (Mains Dimmable Models)
Quiescent Load:	3.1 Watts (DMX Models Only)
Light Engine	
Cooling:	DMX Models: Natural Convection Mains Dim Models: Active Cooling
Environment:	0 to 40 degrees C (32 to 104 degrees F) / 5%-95% Non condensing
Weight:	7.9 lbs. (3.58 Kg.)
Compliance:	cETLus Listed, CE marked

Please note that the noise levels on the mains dim luminaires are subject to the dimming/switching systems in which they are wired. Electrical Systems displaying harmonics may increase the dB Noise output of the luminaire.

Ordering Information

CDA70-(LED Array)-(Body Color)-(Control)-(Voltage)

Model:	CDA70 Chalice Pendant Aircraft Cable LED Luminaire*
LED Array:	2K (2700K), 3K (3000K), 4K (4000K) or 5K (5000K)
Body Color:	Black (B) or White (W) or Custom (C)**
Control:	DMX Control (D) or Mains Dimmable (M)****
Voltage:	120 (120VAC), 220 (220VAC), or 277 (277VAC)

CDP70-(LED Array)-(Body Color)-(Control)-(Voltage)

Model:	CDP70 Chalice Pendant LED Luminaire**
LED Array:	2K (2700K), 3K (3000K), 4K (4000K) or 5K (5000K)
Body Color:	Black (B) or White (W) or Custom (C)**
Control:	DMX Control (D) or Mains Dimmable (M)****
Voltage:	120 (120VAC), 220 (220VAC), or 277 (277VAC)

CDY70-(LED Array)-(Body Color)-(Control)-(Voltage)

Model:	CDY70 Chalice Yoke Mount LED Luminaire
LED Array:	2K (2700K), 3K (3000K), 4K (4000K) or 5K (5000K)
Body Color:	Black (B) or White (W) or Custom (C)**
Control:	DMX Control (D) or Mains Dimmable (M)****
Voltage:	120 (120VAC), 220 (220VAC), or 277 (277VAC)

CDW70-(LED Array)-(Body Color)-(Control)-(Voltage)

Model:	CDW70 Chalice Wall Mount LED Luminaire
LED Array:	2K (2700K), 3K (3000K), 4K (4000K) or 5K (5000K)
Body Color:	Black (B) or White (W) or Custom (C)**
Control:	DMX Control (D) or Mains Dimmable (M)****
Voltage:	120 (120VAC), 220 (220VAC), or 277 (277VAC)

Notes:

* Maximum length for Aircraft cable = 20'-0" (6.1 m). Cable is available in natural silver only.

** Minimum length of Pendant = 6" (152mm)

*** Consult factory before ordering.

**** Mains Dimmable models are only available in 120 or 220 VAC.

Each unit ordered includes one (1) reflector. Specify reflector type at time of ordering.

Optional Accessories

19-F13379	20 Degree Narrow Spot Reflector
19-F13380	29 Degree Spot Reflector
19-F13325	39 Degree Narrow Flood Reflector
19-F13381	46 Degree Medium Flood Reflector
19-F13401	51 Degree Wide Flood Reflector
19-F13402	64 Degree Very Wide Flood Reflector
19-F13838	91 Degree Extra Wide Flood Reflector
510	Malleable Iron Pipe Clamp
99-C545-S-*	Ball Mount Assembly
70-3980	Aircraft Cable Suspension Assembly (natural silver only)
61-0265	RAD (Remote Authorization Device) for remotely addressing fixtures via RDM

Note: * For these optional accessories, specify color Black (B), White (W) or Custom (C). For custom colors, consult factory before ordering.