

COMET FOLLOWSPOT

360/410 Watt

The Comet Followspot is a ruggedly constructed medium to long throw followspot that produces a narrow, hard, or soft edged beam which can zoom from 2.3 degrees to 12.2 degrees.

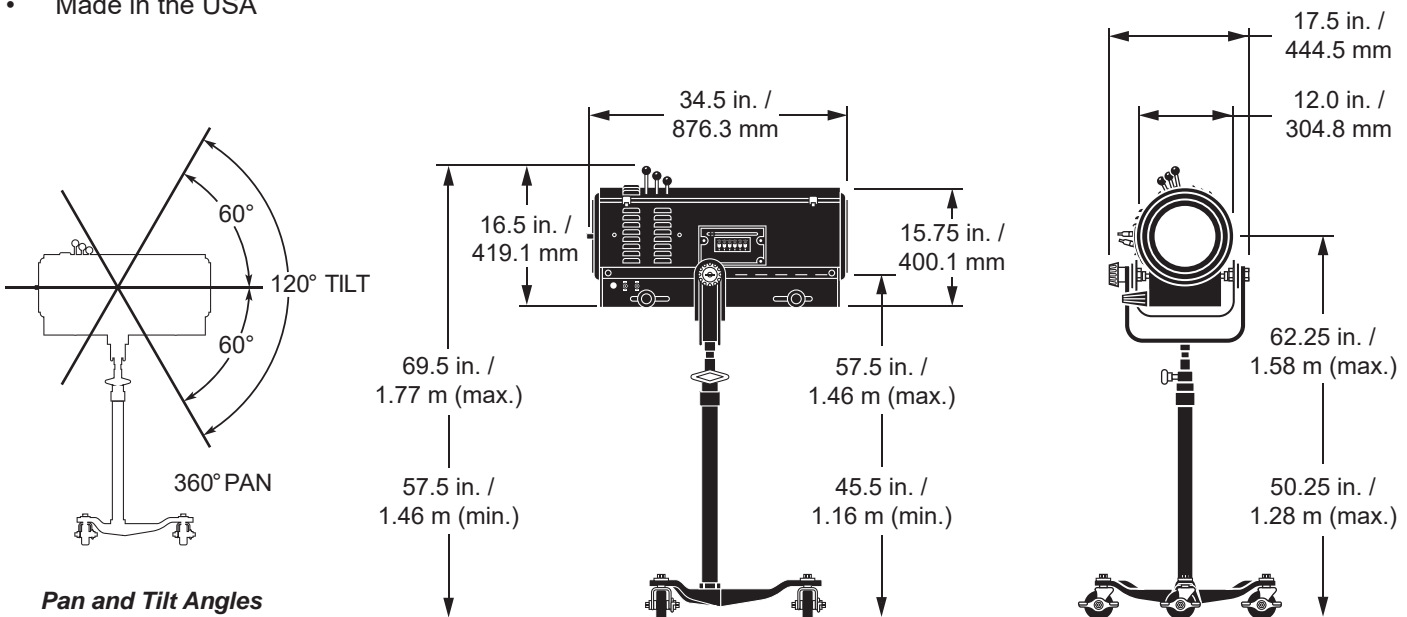
With top mounted iris, shutter, and dimmer control handles, this easy-to-use followspot is designed to use the unique high performance FLE, ENX, and FXL quartz halogen lamps.

The Comet can be used in any application where manual control of a lighting beam is required to follow a performer and to vary beam size, quality, and color.



Product Features:

- Sheet steel and die-cast aluminum construction
- Top operated framing, iris, and dimmer controls
- Spring loaded self-canceling color boom with douser
- Dual adjustable lenses
- Positive locking pan and tilt adjustment
- Adjustable castored stand with cable hook included
- High performance lamp
- Removable 25-foot power cable
- Weight: 91.5 lbs. / 41.6 kg (fixture/stand - approximate)
- cETLus listed for indoor use up to 410 Watts
- Made in the USA

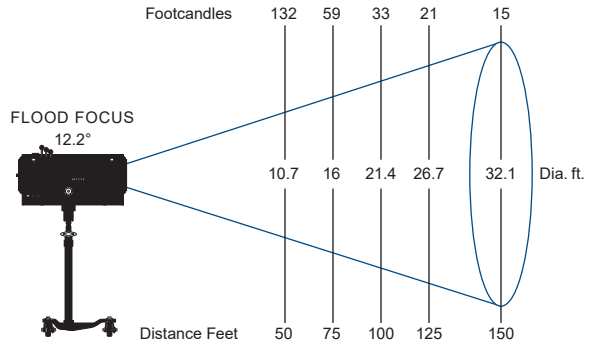
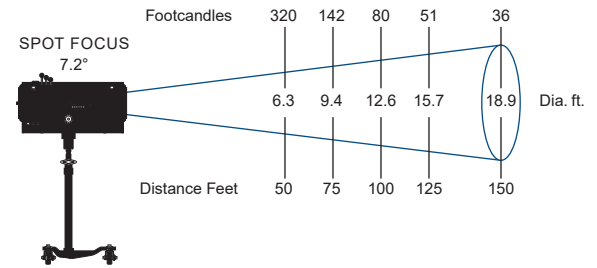
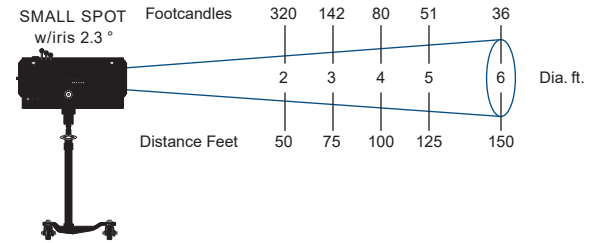


Specifications

Housing: Sheet steel and die-cast aluminum construction.
Materials: Construction employs all corrosion-resistant materials and hardware.
Yoke: 1/8" flat steel with locking dog tilt handle.
Lenses: All lenses are high purity crown glass (white plate).
Socket: Miniature 2-pin, G5.3. Lamp ejector level provided, tool free re-lamping.
Rating: 120 VAC, 4.0 Amps (max.)
Control: Two 120 VAC, 20 Amp toggle switches provided for POWER and LAMP
Transformer: 410VA magnetic, Class B, 82 volt secondary.
Circuit Protection: 7 Amp, magneto-thermal, push-button resettable circuit breaker.
Cooling: Forced air cooling: two low-noise fans, both provided with finger guards.
Iris: 18 leaf, high grade stainless steel. Top operated, provided with heat resistant knob.
Color Changer: 6 frame, self canceling color boom allows for single or multiple colors to be inserted into beam path. Color changer removable without the use of tools.
Douser: Allows for instantaneous blackout and incorporated into self canceling color boom.
Dimmer: Mechanical, heat resistant brass, three leaf type. Top operated, provided with heat resistant knob.
Cable: Detachable 25-foot 14/3 SOW provided with male Edison plug.
Shutters: 2 leaf, 18 gauge stainless steel. Top operated, provided with heat resistant knob.
Access Doors
Rear: Hinged, allows access to lamp for adjustment or replacement.
Top: Hinged, allows access to lenses for cleaning and carriage rods for cleaning and lubricating.
Lamp: 410 Watt maximum, 82V MR-16 type. Unit is supplied with 360 Watt, 82V, MR-16 lamp (90-FLE)
Focusing
Lamp: Fully adjustable with three alignment screws.
Fixture: Dual zoom lens carriers travel along zinc plated steel guide rails, each lens carrier provided with lock knob.
Stand: Three legged stand is height adjustable (12" maximum), each leg provided with wheel and wheel lock. Height adjustment lock allows for 360° continuous pan. Cable hook also included.
Finish: Black epoxy sandtex, electrostatic application.
Weight: Approx; 55 lbs. (24.8 kg.) for lamphouse. Approx; 36 lbs. (16.2 kg.) for stand (base, yoke, and support column). Total net weight approx; 91 1/2 lbs. (41.2 kg.)

Ordering Information

COMET 410W Quartz Followspot with Stand, Black. Fixture includes 90-FLE 360 Watt, MR-16 Lamp .



Photometric Data for FLE Lamp

COMET PERFORMANCE CHART WITH FLE LAMP

Fixture Type	Focus	Candlepower (Candela)	Beam Angle (Degrees°)	Field Angle (Degrees°)
COMET	Small Spot w/Iris	800,000	2.3°	1.8°
	Spot	800,000	5.1°	7.3°
	Flood	330,000	7.6°	20.0°

LAMP DATA

Watts	Volts	ANSI Code	Color Temp°	Rated Life (Hours)	Correction Factor
360	82	FLE	3,300	75	1.0
360	82	ENX	3,300	75	0.60
410	82	FXL	3,300	38	1.1