

LUMINATOR FOLLOWSPOT

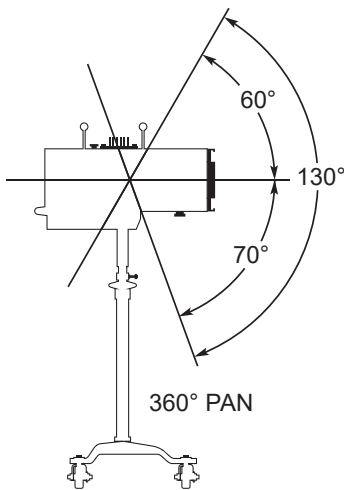
360/410 Watt

The Luminator Followspot is a ruggedly constructed short to medium-throw followspot that produces a narrow, hard or soft-edged beam. The fixture can zoom from 1.3 degrees to 9.3 degrees. With its top-mounted iris, color boom, and dimmer control handles, this easy-to-use followspot is designed to utilize the unique high-performance FLE, ENX and FXL quartz halogen lamps.

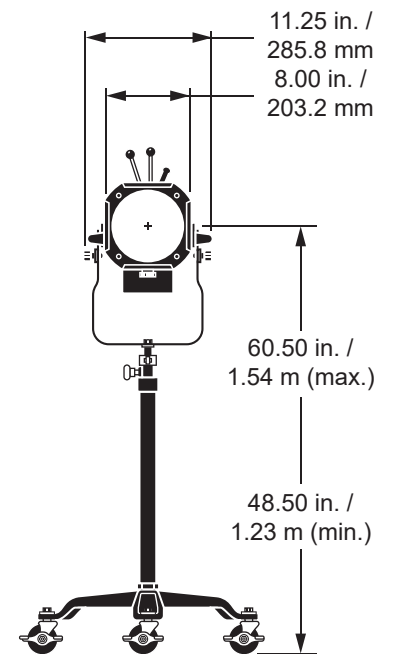
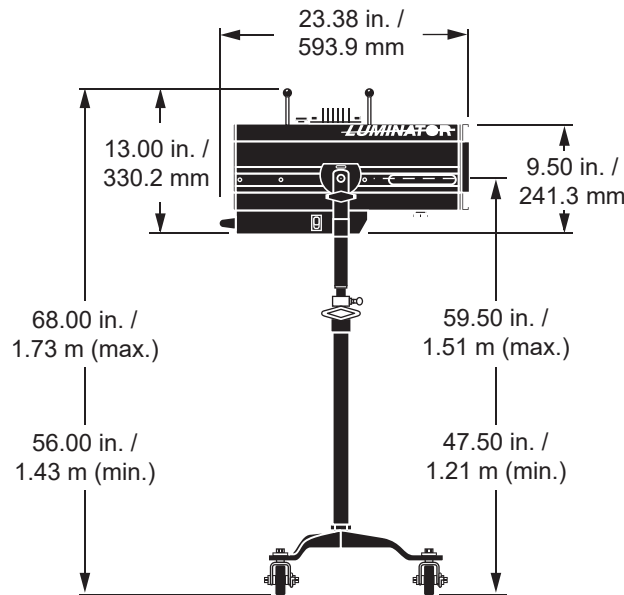
The Luminator Followspot can be used in any application where manual control of a lighting beam is required to follow a performer and to vary beam size, quality, and color.

Product Features:

- Extruded and die cast aluminum construction
- Rugged, compact, and lightweight
- Top operated color boom, iris and dimmer controls
- Six color boomerang
- Dual adjustable lenses
- Positive locking pan and tilt adjustment
- Adjustable castered stand with cable hook included
- High performance lamp included
- Front end accessory holder provided
- UPS shippable
- Weight: 56.8 lbs. / 25.8 kg (fixture/stand - approximate)
- cETLus listed for indoor use up to 410 Watts
- Made in the USA



Pan and Tilt Angles

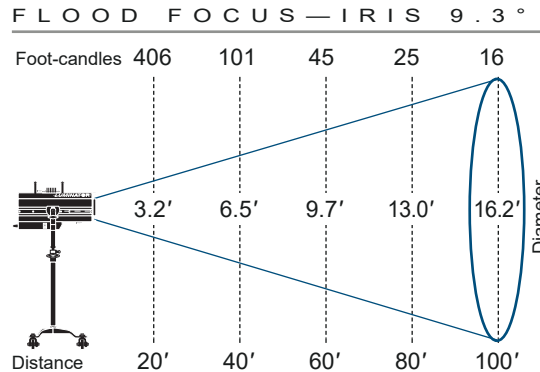
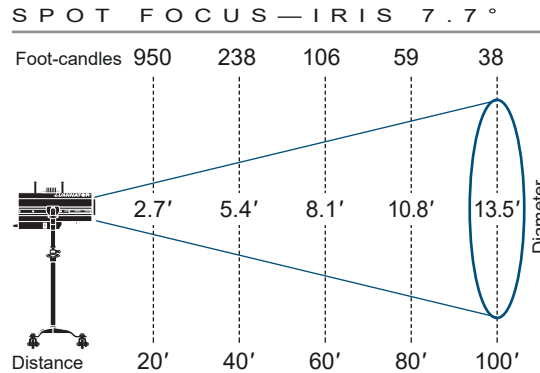
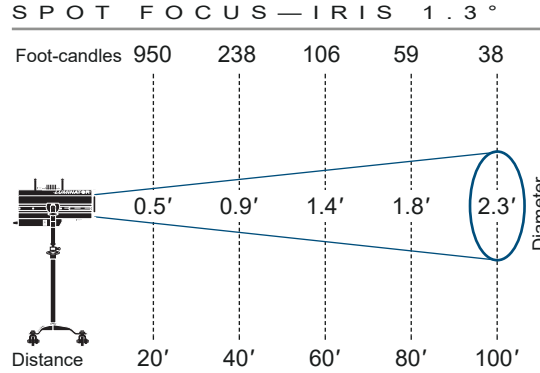


Specifications

- Housing:** Extruded and die-cast aluminum construction.
- Materials:** Construction employs all corrosion-resistant materials and hardware.
- Yoke:** 1/8" flat steel with dual locking dog tilt handle.
- Lenses:** Front lens: 6x12 Plano convex. Rear lens: 3.5x8 Plano convex.
- Socket:** Miniature 2-pin, G5.3. Lamp ejector level provided, tool free re-lamping.
- Rating:** 120 VAC, 4.0 Amps (max.)
- Control:** One, 120 VAC 16 Amp illuminated rocker switch.
- Transformer:** 410VA magnetic, Class B, 82 volt secondary.
- Cooling:** Forced air cooling via one low-noise fans provided with finger guard.
- Iris:** 18 leaf, high grade stainless steel. Top operated, provided with heat resistant knob.
- Color Changer:** 6-frame self-canceling color boom allowing single or multiple color insertion into beam path. Tool-free removal.
- Dimmer/Douser:** Mechanical, heat resistant brass, three leaf type. Top operated, provided with heat resistant knob.
- Cable:** 11.5-foot 18/3 STW provided with male Edison plug.
- Shutters:** 2 leaf, 18 gauge stainless steel. Top operated, provided with heat resistant knob.
- Access Door:** Hinged, allows access to lamp replacement.
- Lamp:** 410 Watt maximum, 82V MR-16 type. Unit is supplied with 360 Watt, 82V, MR-16 lamp (90-FLE)
- Focusing:** Dual zoom lens carriers travel on Teflon® and nylon glide bearings along extruded aluminum channels, each lens carrier provided with lock knob.
- Stand:** Three-legged, height adjustable (to 12" maximum), with locking casters. Height-adjustment lock allows for 360° continuous pan. Cable hook also included.
- Finish:** Black epoxy sandtex, electrostatic application.
- Accessories:** Accepts standard 7½" accessories in front end accessory holder. Accessories sold separately.
- Weight:** Approx; 28 lbs. (12.7 kg.) for lamp house.
Approx; 28.75 lbs. (12.8 kg.) for stand (base, yoke, and support column).
Total net weight approx; 56.75 lbs. (25.8 kg.)

Ordering Information

LUMINATOR 410W Quartz Followspot with Stand, Black. Fixture includes 90-FLE 360 Watt, MR-16 Lamp.



LAMP DATA

Watts	Volts	ANSI Code	Color Temp°	Rated Life (Hours)	Correction Factor
360	82	FLE	3,300	75	1.0
360	82	ENX	3,300	75	0.60
410	82	FXL	3,300	38	1.1

LUMINATOR PERFORMANCE CHART WITH FLE LAMP

Fixture Type	Focus	Candlepower (Candela)	Field Angle (Degrees°)
LUMINATOR	Small Spot with Iris	380,000	1.3°
	Spot	380,000	7.7°
	Flood	162,227	9.3°