

PEGASUS 8, 8-INCH FRESNEL

140 Watt LED

PEG8

The Altman Pegasus 8 Fresnel is an 8-inch white output LED fresnel that is both Mains Dimmable and DMX controlled all in one luminaire. Pegasus replicates the soft light output that is expected from a theatrical or studio fresnel. Under 150 Watts the Pegasus 8 Fresnel meets the output of its 750 Watt incandescent counterpart.

Under Mains Dim Control these fresnels can plug directly into your theatrical phase-cut dimmers whether they are forward or reverse phase, and have been specially designed to replicate the smooth dimming curve of their incandescent twin. A 120 /230 switch on the back of unit allows you to set the dimming curve for both 120 VAC and 230 VAC dimming systems.

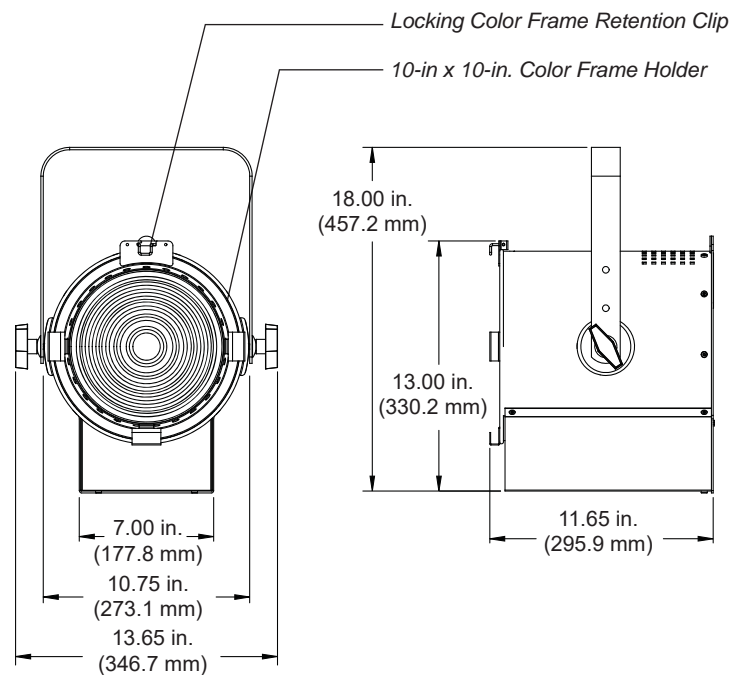
If your lighting system consists of constant power and DMX data then the Pegasus 8 is also right choice for you. With the flip of a switch the Pegasus 8 converts from Mains Dimmable to a DMX / RDM controlled unit.

Pegasus is available in a number of different color temperatures from 2700K, 3000K, 4000K, and 5000K. Pegasus boasts a very high CRI, >90, and can be used with standard theatrical gel as well as Gels that have been specifically formulated for LEDs.



Product Features:

- Delivers the output performance of its 750W Incandescent complement at 140W
- Mains Dimmable or DMX Controlled
- Available in both 8 and 6-inch models
- Available in four (4) different Color temperatures
- PowerCON & DMX in / thru connections
- Fully RDM Compliant when in DMX mode
- Electronic universal power supply 100-240VAC
- Fully homogenized beam
- High resolution digital dimming for both Mains Dimmable and DMX control
- 10 to 50 degree spot to flood beam spread
- 50,000 hours of life expectancy
- All metal construction
- Spot to flood focus adjustment
- C-Clamp, color frame, and safety cable included
- 14.2 lbs. / 6.45 kg. (including C-Clamp safety cable, and yoke)
- cETLus listed and CE marked for indoor use
- Made in the USA



Specifications

Materials: Corrosion-resistant materials and hardware.
Output: > 11,620 Lumens, LED and lens position dependent -
Light Engine: 140W - Available in 2700K, 3000K, 4000K, and 5000K White
Lumens/Watt: 83.0 LED color temperature dependent
Quiescent Load: 12W @120VAC (only under DMX control) 0.1A
CRI: >90
Rating: 100-240VAC (auto-ranging), 50/60Hz / 1.16A @120VAC / 0.59A @ 240VAC
Inrush Current: 15Apk maximum 1/2 Cycle @ 230VAC
BTU's/Hr: 425.5
Cooling: Silent Active Cooling (<19dBa @ 0.5 M)
Data Ports: DMX and RDM via 2 flush mounted 5-pin XLR receptacles, male and female
Control: Mains Dimmable, phase-cut dimmers forward or reverse phase or DMX (fully RDM compliant)
Beam Angle: Range from 15 to 85 degrees
Yoke: Rigid flat steel with locking-dog tilt handle
Weight: 14.2 lbs. (6.45 kg) - including C-Clamp, safety cable, and yoke
Finish: Black or White. Custom colors - consult factory
Ratings: cETLus listed and CE marked for indoor use

NOTE: Mains Dim Mode - When using the Pegasus 8 in Mains Dim Mode, do not connect more than four units to a dimmer AND do not connect other fixtures to the same dimmer. Doing so may result in result in undesired low-end dimmer response.

Photometric Performance

Spot @ 10 Degrees

Distance	(ft)	5.0	10.0	15.0	20.0	25.0	30.0	35.0	40.0	45.0
	(m)	1.5	3.0	4.6	6.1	7.6	9.1	10.7	12.2	13.7
Beam Diameter	(ft)	1' 3"	2' 5"	3' 7"	4' 10"	6'-7"	7'-11"	9'-2"	10'-6"	11'-10"
	(m)	0.4	0.7	1.1	1.5	2.0	2.4	2.8	3.2	3.6
2700K	(fc)	1455.0	363.7	161.7	90.9	58.2	40.4	29.7	22.7	18.0
	(lux)	15655.3	3913.8	1739.5	978.5	626.2	434.9	319.5	244.6	193.3
3000K	(fc)	1530.1	382.5	170.0	95.6	61.2	42.5	31.2	23.9	18.9
	(lux)	16463.6	4115.9	1829.3	1029.0	658.5	457.3	336.0	257.2	203.3
4000K	(fc)	1684.0	421.1	187.2	105.3	67.4	46.8	34.4	26.3	20.8
	(lux)	18119.8	4531.3	2013.8	1132.8	725.0	503.5	369.9	283.2	223.8
5000K	(fc)	1806.0	451.7	200.7	112.9	72.2	50.2	36.9	28.2	22.3
	(lux)	19432.6	4860.0	2160.0	1215.0	777.3	540.0	396.7	303.6	240.0

Medium @ 35 Degrees

Distance	(ft)	5.0	10.0	15.0	20.0	25.0	30.0	35.0	40.0	45.0
	(m)	1.5	3.0	4.6	6.1	7.6	9.1	10.7	12.2	13.7
Beam Diameter	(ft)	2' 11"	6'-0"	9' 2"	11' 10"	17'-2"	20'-6"	24'-1"	27'-6"	30'-10"
	(m)	0.9	1.8	2.8	3.6	5.2	6.2	7.3	8.4	9.4
2700K	(fc)	581.5	145.4	64.6	36.3	23.3	16.2	11.9	9.1	7.2
	(lux)	6257.3	1564.3	695.3	391.1	250.3	173.8	127.7	97.8	77.3
3000K	(fc)	620.0	156.6	69.6	39.1	25.1	17.4	12.8	9.8	7.7
	(lux)	6671.2	1684.7	748.8	421.1	269.6	187.2	137.5	105.3	83.2
4000K	(fc)	685.5	171.4	76.2	42.8	27.4	19.0	14.0	10.7	8.5
	(lux)	7376.2	1844.0	819.6	461.0	295.0	204.9	150.5	115.3	91.1
5000K	(fc)	738.0	184.5	82.0	46.1	29.5	20.5	15.1	11.5	9.1
	(lux)	7941.2	1985.3	882.3	496.4	317.7	220.6	162.1	124.1	98.0

Wide @ 50 Degrees

Distance	(ft)	5.0	10.0	15.0	20.0	25.0	30.0	35.0	40.0	45.0
	(m)	1.5	3.0	4.6	6.1	7.6	9.1	10.7	12.2	13.7
Beam Diameter	(ft)	6' 2"	11' 2"	17' 1"	21'	36'-3"	43'-6"	50'-9"	58'-2"	65'-4"
	(m)	1.9	3.4	5.2	6.4	11.0	13.3	15.5	17.7	19.9
2700K	(fc)	262.0	65.5	29.1	16.4	10.5	7.3	5.3	4.1	3.2
	(lux)	2819.1	704.8	313.2	176.1	112.8	78.3	57.5	44.0	34.8
3000K	(fc)	284.0	76.9	34.2	17.8	12.3	8.5	5.8	4.8	3.8
	(lux)	3055.8	827.0	367.6	191.1	132.3	91.9	62.4	51.7	40.8
4000K	(fc)	307.5	83.6	37.1	19.2	13.4	9.3	6.3	5.2	4.1
	(lux)	3308.3	899.2	399.6	206.8	143.9	99.9	67.5	56.2	44.4
5000K	(fc)	320.8	80.2	35.6	20.1	12.8	8.9	6.5	5.0	4.0
	(lux)	3451.5	862.8	383.5	215.7	138.1	95.9	70.4	53.9	42.6

Ordering Information

PEG8-(LED Array)-(Body Color)
 LED Arrays: Add the following code for LED CCT: 2K, 3K, 4K, & 5K, (2K=2700 Kelvin)
 Colors: Black (B) or White (W) or Custom (C)* *Consult factory.

Included and Optional Accessories

- 510** Malleable Iron Pipe Clamp *(included)*
- 8-CF** Color Frame *(included)*
- SC-36-BK** 36-inch Black Safety Cable with Spring Clip *(included)*
- PCL-PBG-12*** 5-foot 20A PowerCON with Edison Connector *(included)*
- 8-BD-4** 4-Way Barn Door
- 8-SN** Snoot
- PCL-2P&G-12-5*** 5-foot 20A PowerCON with Stage Pin Connector
- PCL-TLG-12-5*** 5-foot 20A PowerCON with L5-20P Twist Lock Connector
- PCL-BARE-12-5*** 5-foot 20A PowerCON with Bare End Lead
- PCTJ-12-5*** 5-foot 20A PowerCON to PowerCON

*Cable Note: *Add "W" for White cable, Black cable is standard and no suffix is required.*



Altman Lighting
 57 Alexander Street
 Yonkers, New York 10701
 1.914.476.7987 (Main)
 1.914.963.7304 (Fax)
 www.altmanlighting.com

All specifications, descriptions, information, design, etc. contained in this document are subject to change without prior notice.
 01 June 2018
 © 2018 Altman Stage Lighting, Inc.