

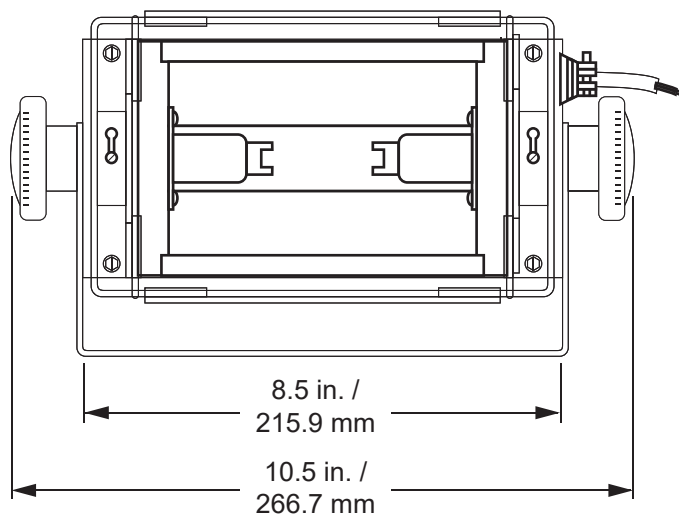
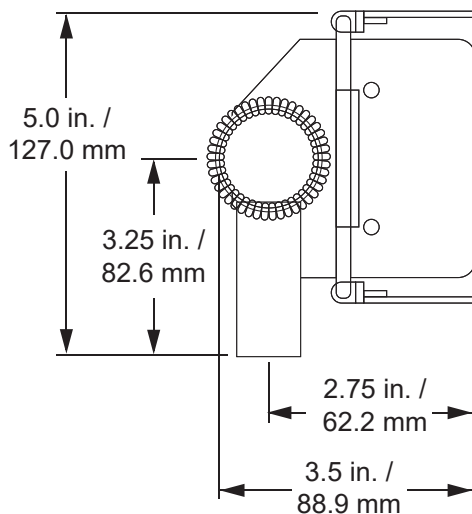
Q-LITE JR OPEN FACE 650W FLOOD LIGHT Q-LITE-JR

The Q-LITE-JR flood fixture is 650 Watt open-face luminaire that is a compact, lightweight, multipurpose flood/fill light. It is ideal for any stage, studio and location lighting application.

Designed to operate with a high-color-temperature tungsten halogen lamp, this unit is well suited for use in tight or confined spaces where maximum light output and beam spread are required for fill or flood lighting.

Product Features:

- Ventilated steel housing
- Broad even beam
- Compact and lightweight
- Accepts a wide range of lamps (lamp not included, sold separately)
- Available in 120VAC
- Includes safety screen, 4-leaf barn door, and safety cable
- Weight: 6 lbs. / 2.7 kg (approximate)
- cETLus listed for indoor use
- Made in the USA



Specifications

Housing: Sheet steel construction.
Materials: Corrosion-resistant materials and hardware.
Yoke: Rigid flat steel with dual-locking-dog tilt handles.
Reflector: Peened specular aluminum.
Socket: Recessed single-contact, two provided. Tool-free re-lamping.
Rating: 120VAC operation, 5.4 Amps, 650 Watts maximum.
Cable: 36" Teflon® leads encased in black fiberglass sleeving.
Accessories: Includes safety screen, 4-leaf barn door, and safety cable with spring clip.
Finish: Black epoxy Sandtex, electrostatic application.
Weight: Approx. 6 lbs. (2.7 Kg)
Markings: cETLus Listed for indoor use.

Ordering Information

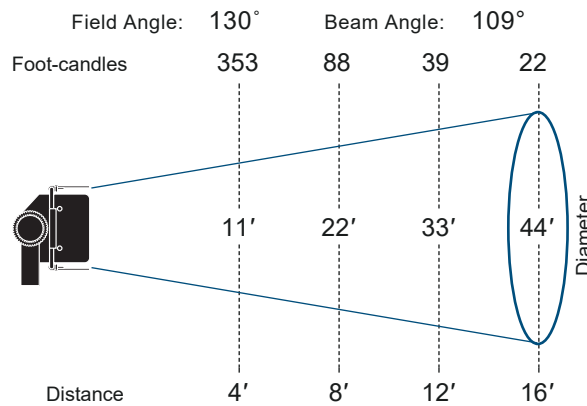
Q-LITE-JR
 650W Flood Light, 120VAC, Black Finish

Included and Optional Accessories

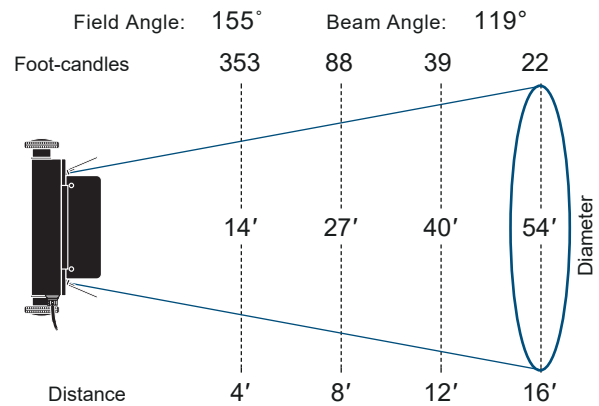
SC-36-BK Safety Cable with Spring Clip *(included)*
QL-JR-BD4 Black 4-Leaf Barn Door for Q-LITE-JR *(included)*
79-0504 Q-LITE-JR Safety Screen *(included)*
F-SAS Combination 5/8" x 1-1/8" Spigot
510 Malleable Iron Pipe Clamp

Q-LITE-JR Photometric Data with FAD (3200K) Lamp

VERTICAL



HORIZONTAL



Watts	Volts	ANSI Code	Color Temp (K)	Rated Life (hrs)*	Rated Lumens*	Correction Factor	Finish
650	120	FAD	3200	100	16,500	1.00	Clear
650	120	FBX	3200	100	16,000	--	Frost
650	120	DWY	3400	25	20,000	1.20	Clear
650	120	FCA	3400	25	19,000	--	Frost
240	120	FFM	3200	75	11,000	0.67	Clear
200	120	FDA	3200	250	10,400	0.63	Frost
200	120	EHR S	3000	2,000	7,800	0.47	Clear
200	120	EHR GE	2900	2,000	7,750	0.47	Frost
300	120	EHP S	3000	2,500	5,600	0.34	Clear
300	120	EHP GE	2900	2,500	5,650	0.34	Frost
300	120	EHX	3000	2,500	4,900	--	Clear