

AP-150-RGBW Par

135 Watt RGBW LED Par

The AP-150-RGBW is a compact, lightweight 135 Watt RGBW LED par wash light that is packed with a high feature set at an affordable price. This compact luminaire weighs in at just 11 pounds / 5.08 kg. and is a purpose built par wash. The AP-150-RGBW follows the traditions of Altman Lighting while introducing a number of new key features to this performance luminaire.

The AP-150-RGBW's compact, cast aluminum design allows for discrete luminaire placement while offering very high output of deep rich saturated colors as well as soft and delicate pastels. The AP-150-RGBW replicates the soft output of a par wash light while maintaining a uniform beam output throughout the entire zoom range.

The AP-150-RGBW offers a number of different control states from 8 Bit, 16 Bit, RGB, and HSIC, modes allowing for a number of control choices. Factory and custom color presets round out the AP-150-RGBW's feature set allowing for a quick selection of factory preloaded White set points and the most widely used entertainment color choices. The AP-150-RGBW also adds the ability to record color presets from the DMX controller directly to the luminaire for custom color playback.

In conjunction to the color output the AP-150-RGBW offers a number of different strobe options from pulse and fade to a 30 Hz strobe rate. Featuring a motorized zoom producing a beam spread between 12° and 65° with built-in stops at five different set points ensuring precise beam spread repeatability. The zoom can be set from either the back panel and locked out, or directly from the console. The AP-150-RGBW's feature set also includes a number of new features such as "Tech Identify" allowing a technician to locate a luminaire without disrupting a focus call by flashing its LEDs.

Product Features:

- RGBW LED color configuration
- Lightweight, 11.2 lbs. (5.08 kg)
- 8-inch color frame slot with locking tab
- Motorized zoom system 12° to 65° with built-in stops for:
 - Very Narrow Spot (VNSP)
 - Narrow Spot (NSP)
 - Medium Flood (MFL)
 - Wide Flood (WFL)
 - Extra Wide Flood (XWFL)
- 100 to 240 VAC 50/60 Hz operation with PowerCON input and through configuration
- Up to 30 Hz Strobe rate
- DMX 5-pin in and through
- Compatible with DMX 512 and RDM protocols
- On-board, simple-to-use user interface - with keypad lockout security features
- Four different control settings of:
 - 16 Bit
 - 8 Bit
 - RGB
 - HSIC
- Progressive output management allowing for active cooling settings from the luminaire or DMX control
- Built-in floor stand
- Color calibration system
- Multiple dimming profiles
- *Tech Identify* feature to easily identify fixture location
- On-board status indicator lights
- On-board factory set and customer defined color presets
- Preset white select set point settings
- Available in black
- cETLus listed for indoor use and CE marked
- Three-year warranty



AP-150-RGBW Photometrics

12 Degrees

(Zoom at DMX 0)

Candela	Lumens
86274.898	1620

Throw Distance	10'-0" (3.04 m)	15'-0" (4.57 m)	20'-0" (6.09 m)	25'-0" (7.62 m)	30'-0" (9.14 m)	40'-0" (12.19 m)	50'-0" (15.24 m)
Field Diameter (feet)	2.1	3.15	4.2	5.26	6.31	8.41	10.51
Field Diameter (meters)	0.64	0.96	1.28	1.60	1.92	2.56	3.20
Illuminance (fc)	862.75	383.44	215.69	138.04	95.86	53.92	34.51
Illuminance (lux)	9286.55	4127.31	2321.67	1485.85	1031.83	580.39	371.46

26 Degrees

(Zoom at DMX 63)

Candela	Lumens
25918.699	1634

Throw Distance	10'-0" (3.04 m)	15'-0" (4.57 m)	20'-0" (6.09 m)	25'-0" (7.62 m)	30'-0" (9.14 m)	40'-0" (12.19 m)	50'-0" (15.24 m)
Field Diameter (feet)	4.62	6.93	9.23	11.54	13.85	18.47	23.09
Field Diameter (meters)	1.41	2.11	2.81	3.52	4.22	5.63	7.04
Illuminance (fc)	259.19	115.19	64.8	41.47	28.8	16.2	10.37
Illuminance (lux)	2789.90	1239.89	697.50	446.38	310.00	174.38	111.62

38 Degrees

(Zoom at DMX 127)

Candela	Lumens
9651.2	1664

Throw Distance	10'-0" (3.04 m)	15'-0" (4.57 m)	20'-0" (6.09 m)	25'-0" (7.62 m)	30'-0" (9.14 m)	40'-0" (12.19 m)	50'-0" (15.24 m)
Field Diameter (feet)	6.89	10.33	13.77	17.22	20.66	27.55	34.43
Field Diameter (meters)	2.10	3.15	4.20	5.25	6.30	8.40	10.49
Illuminance (fc)	96.38	42.83	24.09	15.42	10.71	6.02	3.86
Illuminance (lux)	1037.42	461.02	259.30	165.98	115.28	64.80	41.55

50 Degrees

(Zoom at DMX 191)

Candela	Lumens
4878.7	1652

Throw Distance	10'-0" (3.04 m)	15'-0" (4.57 m)	20'-0" (6.09 m)	25'-0" (7.62 m)	30'-0" (9.14 m)	40'-0" (12.19 m)	50'-0" (15.24 m)
Field Diameter (feet)	9.33	13.99	18.65	23.32	27.98	37.3	46.63
Field Diameter (meters)	2.84	4.26	5.68	7.11	8.53	11.37	14.21
Illuminance (fc)	48.56	21.58	12.14	7.77	5.4	3.04	1.94
Illuminance (lux)	522.69	232.28	130.67	83.64	58.13	32.72	20.88

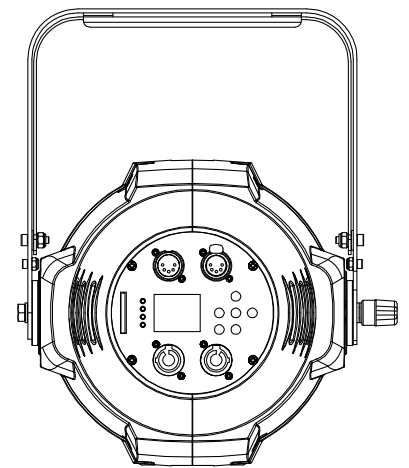
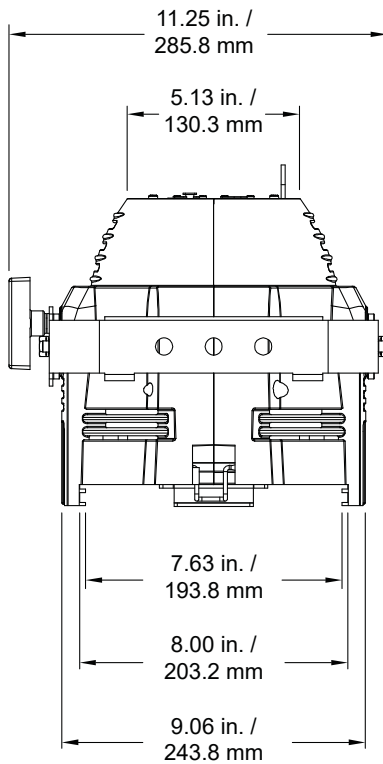
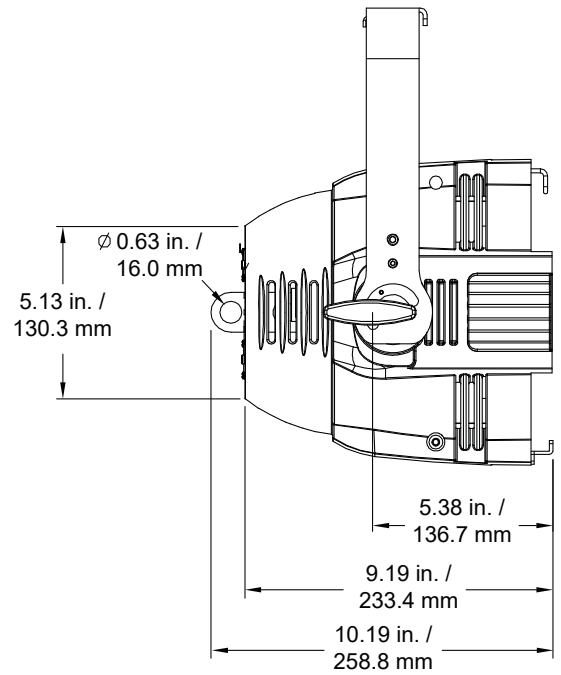
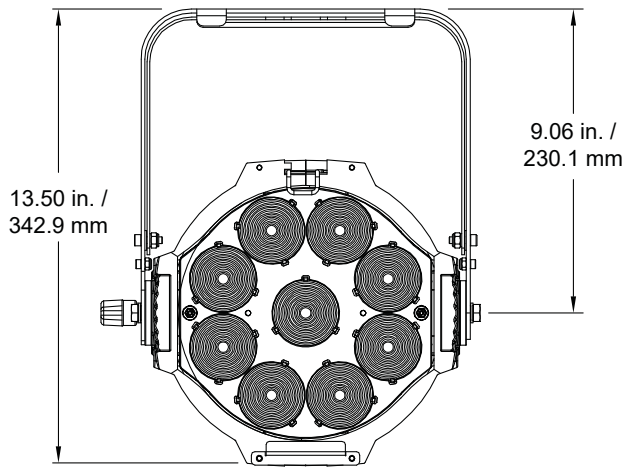
65 Degrees

(Zoom at DMX 255)

Candela	Lumens
2876.9	1631

Throw Distance	10'-0" (3.04 m)	15'-0" (4.57 m)	20'-0" (6.09 m)	25'-0" (7.62 m)	30'-0" (9.14 m)	40'-0" (12.19 m)	50'-0" (15.24 m)
Field Diameter (feet)	12.74	19.11	25.48	31.85	38.22	50.97	63.71
Field Diameter (meters)	3.88	5.82	7.77	9.71	11.65	15.54	19.42
Illuminance (fc)	28.68	12.75	7.17	4.59	3.19	1.79	1.15
Illuminance (lux)	308.71	137.24	77.18	49.41	34.34	19.27	12.38

Product Dimensions



Note: Drawings are not to scale.

Specifications

Materials:	Construction is corrosion-resistant materials and hardware.
Control:	DMX/RDM
Light Engine:	135 Watt RGBW (W=6500K)
Beam Lumens:	See photometrics for each beam spread
LED Rated Life:	LED arrays are rated for >50,000 hours of operation.
Input Voltage:	100-240 VAC 50/60 Hz
Current Draw:	1.13A at 120VAC / 0.58A at 230VAC
Current Inrush:	At 240 VAC, 40A (1/2 cycle) @25°C
Quiescent Load:	0.082 AMP (9.84 Watts) @ 120 VAC* 0.041 AMP (9.84 Watts) @ 240 VAC* *Fan and display off
Power Factor:	≥ 0.95
Power Through:	Up to 9 Units at 120VAC* Up to 14 units at 230 VAC* * Power linking is only for connecting AP-150-RGBW Pars only, not other products or equipment.
LED Engine Cooling:	Active with progressive output management
Environment:	0 to 40 degrees C (32 to 104 degrees F) with humidity of 5%-95% (non-condensing)
Weight:	11.2 lbs. (5.08 Kg.)
Body Color:	Black
Compliance:	cETLus listed for indoor use and CE marked



Ordering Information

AP-150-RGBW-B, 135 Watt RGBW LED Par, Black
(Fixture only. Does not include power input cable)

AP-150-RGBW-B-PCED, 135 Watt RGBW LED Par, Black
(Fixture with PCL-PBG-12-5 PowerCON to Edison power input cable)

AP-150-RGBW-B-PCBE, 135 Watt RGBW LED Par, Black
(Fixture with PCL-PBG-12-5 PowerCON to Bare End power input cable)

NOTE: The AP-150-RGBW-B, AP-150-RGBW-B-PCED and AP-150-RGBW-B-PCBE do not include a C-Clamp or safety cable. These must be ordered separately.

Optional Accessories

AP150BD-BK	AP-150-RGBW LED Par 4-Leaf Barn Doors, Black
AP150TH-BK	AP-150-RGBW LED Par Top Hat, Black
PCL-BARE-12-5	PowerCON (blue) to bare end, 5-foot (1.5m) 20A power input cable
PCL-2P&G-12-5	PowerCON (blue) to Stage Pin Male, 5-foot (1.5m) 20A power input cable
PCL-PBG-12-5	PowerCON (blue) to Edison Male, 5-foot (1.5m) 20A power input cable
PCL-TLG-12-5	PowerCON (blue) to L5-20P Twist Lock Male, 5-foot (1.5m) 20A power input cable
PCTJ-12-5	5-Foot (1.5m), 20 Amp, PowerCON In to PowerCON Out feed-through jumper Cable
PCTJ-12-10	10-Foot (3.0m), 20 Amp, PowerCON In to PowerCON Out feed-through jumper Cable
PCTJ-12-15	15-Foot (4.5m), 20 Amp, PowerCON In to PowerCON Out feed-through jumper Cable
PCTJ-12-25	25-Foot (7.62m), 20 Amp, PowerCON In to PowerCON Out feed-through jumper Cable
PCTJ-COUPLER	PowerCON coupler (PowerCON In to PowerCON Out to link cables)
SC-36-BK	36-Inch (914 mm) Black Safety Cable with Spring Clip
510	Malleable Iron Pipe Clamp