

**Discontinued October 2018**

Fixture Type:

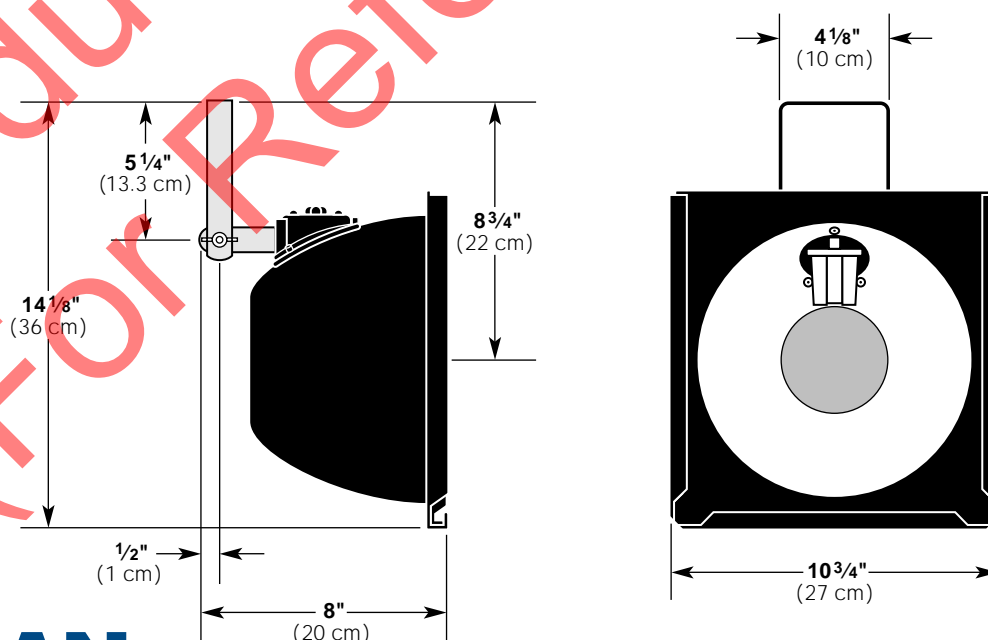
A Lightweight multi-purpose elliptical reflector floodlight. The 153 scoop/worklight produces a very diffuse soft edged beam of 12.6 feet in diameter at a distance of 5 feet. The 153 is designed to operate standard incandescent lamps. The luminaire is used in theatre and television as a flood light where space limitation is a factor. Other uses include puppet theatres, museums and store windows. The scoop is an ideal fixture as a work light, set hallway and window backings where color blending and smooth even washes of light are required.

Specifications subject to change without notice

## 400 WATT 10" SCOOP/WORKLIGHT

### Features

- Heavy spun aluminum construction
- Etched matte aluminum reflector
- Medium screw base socket
- Plated steel color frame included
- Three 36" Teflon lead wires
- Up to 25 feet Hi-Temp rubber cable optional
- U.L. and c.U.L. listed for 400 watts
- Made in the USA



**Specifications**

**Housing:** Spun and cast aluminum construction.

**Materials:** Construction employs all corrosion-resistant materials and hardware.

**Yoke:** Rigid plated flat steel.

**Reflector:** Etched aluminum, matte finish, elliptical design.

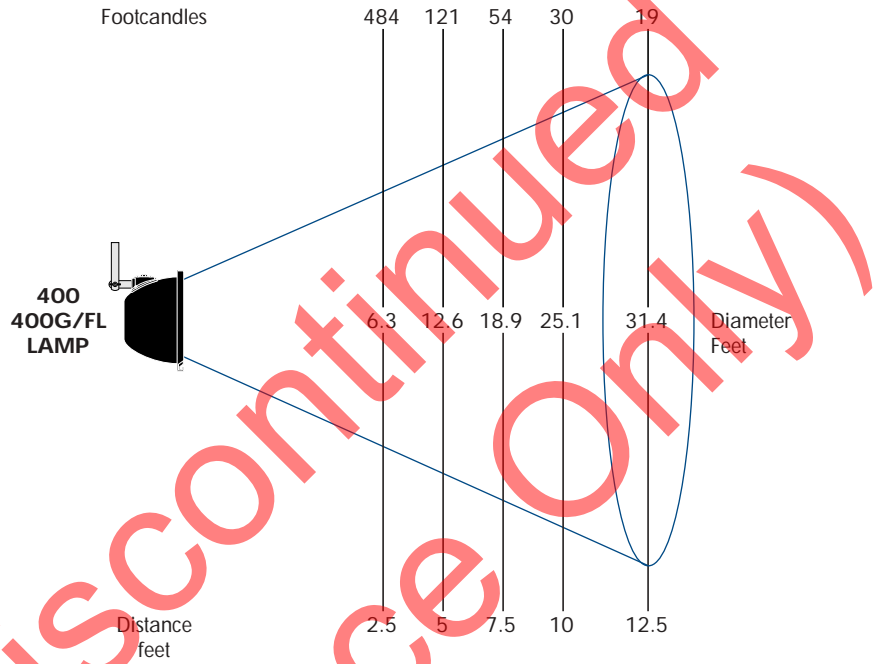
**Socket:** Medium screw base, tool free relamping.

**Rating:** 120/240 volts AC/DC operation, 3.3/1.7 amps, 400 watts maximum.

**Cable:** 36" Teflon leads encased in black fiberglass sleeving. Hi-Temp rubber cable optional, up to 25'.

**Finish:** Baked black enamel.

**Weight:** Approx; 5 1/2 lbs. (2.5 kg.)



ACCESSORIES Supplied with Luminaire	
153-CF	Color Frame, 10 1/2" x 10 1/2"

ADDITIONAL ACCESSORIES	
510 SC	Malleable Iron Pipe Clamp Safety Cable with Spring clip

Candlepower (Candela)	Beam Angle (Degrees)	Field Angle (Degrees)	Efficiency (%)
3025	57°	103°	73

LAMP DATA					
Watts	Manufacturer Lamp Code	Color Temp (°K)	Rated Life (Hours)	Rated Lumens	Correction Factor
400	400 G/FL	2850	800	6800	1.00