

CHALICE PENDANT LED DOWNLIGHT 100 Watt LED

The 100 Watt Chalice pendant downlight from Altman Lighting is designed for permanent installation and energy savings. Offering all of the benefits and longevity of an LED luminaire, changing lamps in your fixtures has now become a thing of the past.

Adding a fixture into a DMX system control system is easy with the simple three-button DMX addressing that is easily accessible from the top of the fixture - set it once and enjoy a smoothly integrated and energy efficient illumination solution for your area of choice.

The 100W Pendant Chalice fixture is able to be controlled by your DMX Control console & architectural control system; for facilities without a DMX control system the 100W Pendant Chalice is also available in a mains dimmable fixture, or for easy retrofit to a current installation for energy savings.



Product Features:

- Available in three mounting options - Pendant, Wall, and Yoke
- 100W LED driver
- Ten interchangeable lenses
- 45° swivel ball ceiling mount
- DMX or Mains Dimmable (note, mains dimmable only available in a single color LED only)
- Push Button DMX Addressing and RDM compatibility
- DMX Pass through
- 8-bit or 16-bit selectable DMX modes
- cETLus listed for indoor applications
- Proudly made in the USA

CHALICE PENDANT LED DOWNLIGHT

100 Watt LED

Photometrics

Photometric data taken with all channels at full, and reflects the output of the fixture with each of the lensing systems installed. Comparisons between fixtures should only be made with photometric data that incorporates the lensing system to be used. Photometric data collected using a RGBW LED fixture. Please consult Chalice 100 IES files at www.altmanlighting.com.

Performance Per Lens

20° Conical Lens (SS-8CDL-20) 3847 Lumens				
Throw Distance (d)	10' / 3m	15' / 4.6m	20' / 6.1m	25' / 7.6m
Field Size (HxV)	5.2' x 4.7' 1.6m x 1.4m	7.8' x 7.5' 2.4m x 2.3m	10.4' x 9.4' 3.2m x 2.9m	13.0' x 11.8' 4.0m x 3.6m
Illuminance (fc)	234.85	104.38	58.71	37.58
Illuminance (lux)	2526.9	1123.12	631.71	404.36

40° Conical Lens (SS-8CDL-40) 2806 Lumens				
Throw Distance (d)	10' / 3m	15' / 4.6m	20' / 6.1m	25' / 7.6m
Field Size (HxV)	9.5' x 9.6' 2.9m x 2.9m	14.3' x 14.3' 4.4m x 4.4m	19.0' x 19.0' 5.8m x 5.8m	23.8' x 24.0' 7.2m x 7.3m
Illuminance (fc)	37.13	16.5	9.28	5.94
Illuminance (lux)	399.5	177.54	99.8	61.7

30° Conical Lens (SS-8CDL-30) 3280 Lumens				
Throw Distance (d)	10' / 3m	15' / 4.6m	20' / 6.1m	25' / 7.6m
Field Size (HxV)	6.5' x 6.5' 2.0m x 2.0m	10.0' x 10.0' 3.0m x 3.0m	16.0' x 16.0' 5.0m x 5.0m	23.0' x 23.0' 7.0m x 7.0m
Illuminance (fc)	95.86	46.61	23.97	15.34
Illuminance (lux)	1031	501.52	257.9	165

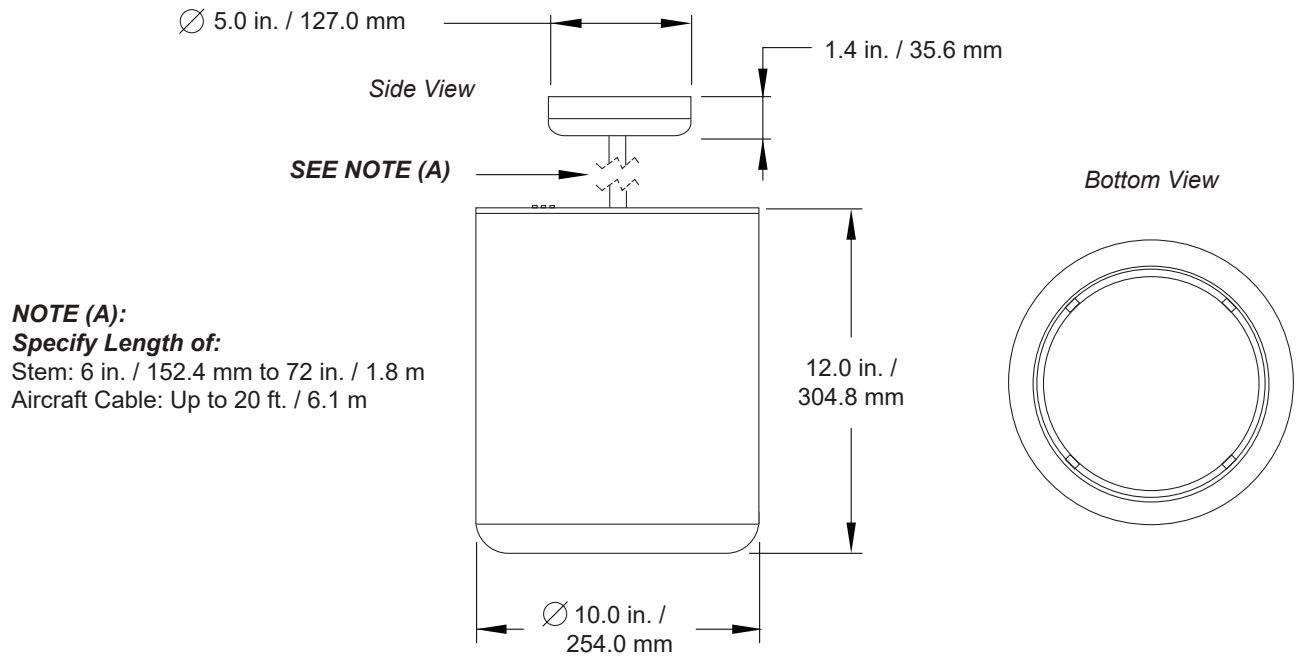
60° Conical Lens (SS-8CDL-60) 3420 Lumens				
Throw Distance (d)	10' / 3m	15' / 4.6m	20' / 6.1m	25' / 7.6m
Field Size (HxV)	11.3' x 12.0' 3.4m x 3.7m	17.0' x 18.0' 5.2m x 5.5m	23.0' x 24.0' 7.0m x 7.3m	28.0' x 30.0' 8.5m x 9.0m
Illuminance (fc)	30	13	7.5	5
Illuminance (lux)	323	140	81	54

P95 Diffusion Lens (SS-8CDL-P95) 3874 Lumens				
Throw Distance (d)	10' / 3m	15' / 4.6m	20' / 6.1m	25' / 7.6m
Field Size (HxV)	3.8' x 3.8' 1.2m x 1.2m	5.7' x 5.7' 1.7m x 1.7m	7.6' x 7.6' 2.3m x 2.3m	9.5' x 9.5' 2.9m x 2.9m
Illuminance (fc)	235	104	59	38
Illuminance (lux)	2,529	1,119	635	409

CHALICE PENDANT LED DOWNLIGHT

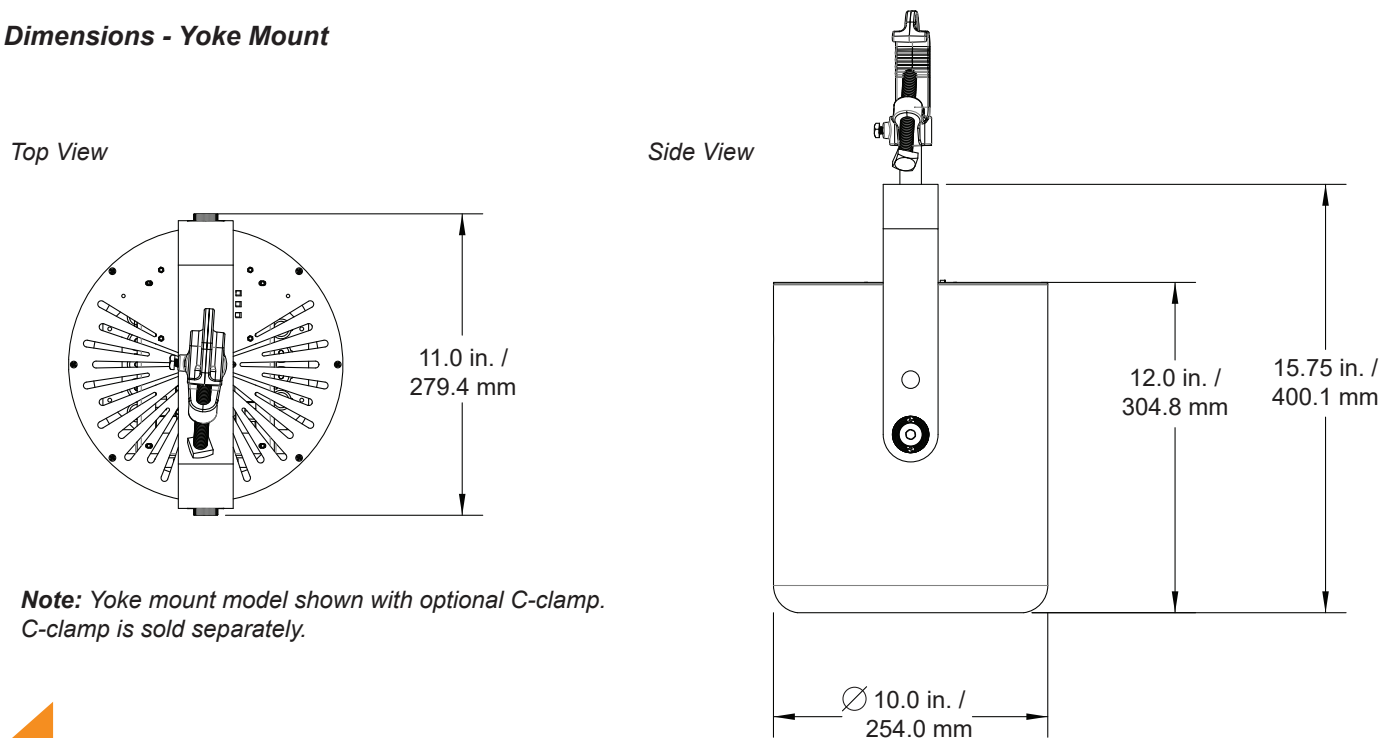
100 Watt LED

Product Dimensions - Pendant Mount



NOTE (A):
Specify Length of:
 Stem: 6 in. / 152.4 mm to 72 in. / 1.8 m
 Aircraft Cable: Up to 20 ft. / 6.1 m

Product Dimensions - Yoke Mount



Note: Yoke mount model shown with optional C-clamp.
 C-clamp is sold separately.

Specifications

Materials:	Construction employs all corrosion-resistant materials and hardware.
Housing:	Corrosion resistant aluminum outer shell with aluminum interior components.
Control:	Mains Dimmable or DMX / RDM
Light Engines:	DMX Models: 100W LED Array - Available in 3000K to 6000K Tunable White, RGBA, RGBW and custom arrays (consult factory before ordering). Mains Dimmable Models: 100W LED Array - Available in with single color, custom arrays only. Consult factory before ordering.
LED Rated Life:	LED array are rated for >50,000 hours of operation.
Input Voltage:	100-240 VAC 50/60 Hz 0.83A @120VAC 0.42A @ 240VAC
Cooling:	Natural Convection
Environment:	0 to 40 degrees C (32 to 104 degrees F)
Lenses:	8-inch diameter borosilicate glass, PAR64 or acrylic conical
Weight:	12 Pounds (5.44Kg.)
Compliance:	cETLus Listed

Ordering Information

CD(Mounting)100-(LED Array)-(Body Color)-(Control)-(Voltage)

Model:	Chalice 100W LED Luminaire
Mounting:	Pendant (P), Wall (W), or Yoke (Y)***
LED Array:	RGBA or RGBW or 3K6K (tunable white) or Custom (C)*
Tim Ring Color:	Black (B) or White (W) or Custom (C)*
Control:	DMX Control (D) or Mains Dimmable (M)**
Voltage:	120VAC (120) or 220-240VAC (220)

Notes:

*Consult factory before ordering.

**Mains Dimmable models are not available for RGBA, RGBW, or tunable white LED fixtures. Only available with a single color, custom LED array (for custom LED arrays, consult factory before ordering).

***Yoke mount models are not supplied with a C-clamp. C-clamp is sold separately.

Optional Accessories

18-0110	Very Narrow Spot Lens
18-0111	Narrow Flood Spread Lens
18-0112	Medium Flood Spread Lens
18-0113	Wide Flood Spread Lens
18-0114	Extra Wide Flood Spread Lens
SS-8CDL-20	20° Beam Angle Lens
SS-8CDL-30	30° Beam Angle Lens
SS-8CDL-40	40° Beam Angle Lens
SS-8CDL-60	60° Beam Angle Lens
SS-8CDL-P95	P95 Diffusion Lens

NOTE: When using diffusers (20°, 30°, 40°, 60° and P95) please allow for a minimum throw distance of 10'-0" (approximately 3m) for color uniformity.

70-3980	Aircraft Cable Suspension Assembly
99-C545-S	Ball Mount Assembly
CDP100-SN-*	Full Snoot
CDP100-HSN-*	Half Snoot
CDP100-CBSN-*	Cross Baffle Snoot
510	Malleable Iron Pipe Clamp
SC-36-BK	36" Black Safety Cable with Spring Clamp
SC-36-WH	36" White Safety Cable with Spring Clamp

Note: * For these optional accessories, specify color Black (B), White (W) or Custom (C). For custom colors, consult factory before ordering.