

Discontinued April 2019

Fixture Type:



The Altman Micro Strip is a multi-lamp striplight using a wide range of MR-11 tungsten halogen lamps. This luminaire is manufactured of sheet aluminum in three standard lengths. These lengths are related to the number of color washes desired. The popular MR-11 family of dichroic reflector lamps are available in 20 and 35 watts, and in several beam lamps built into the housing. Spring loaded lamp holders with push-on sockets provide secure positioning of the lamps. This narrow, lightweight fixture allows it to be used in tight spaces where a general wash of light is desired, and is ideal for small clubs, runway lights, and store displays.

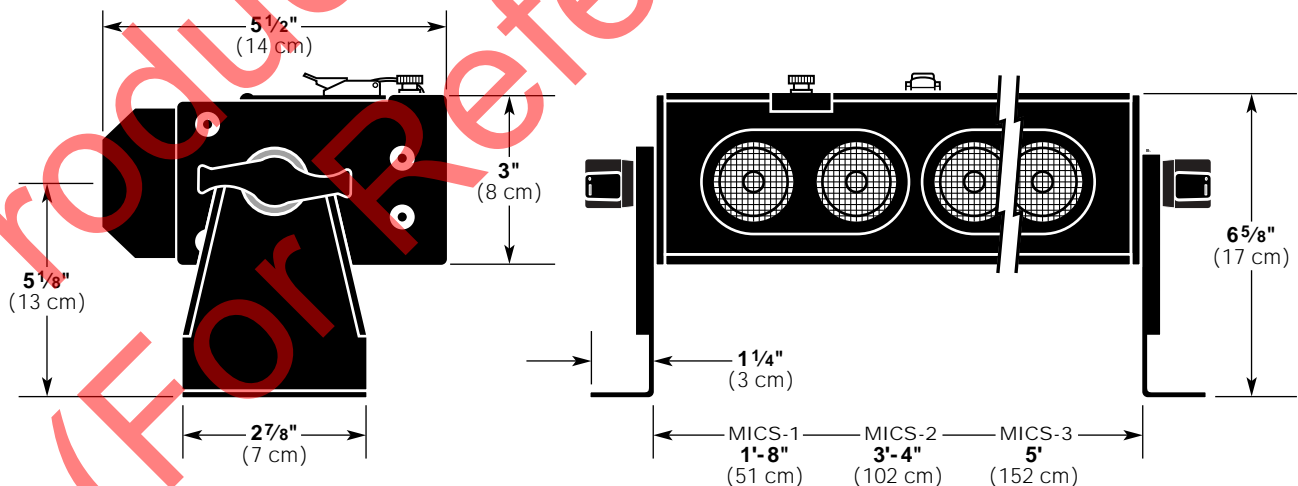
Specifications subject to change without notice

350 WATTS Per Circuit

MR-11
MICRO STRIP

Features

- Rugged lightweight sheet aluminum housing
- Spring loaded lamp holder and push-on 2 pin socket
- Neon indicator lamps to identify lamp failure
- Uses wide variety of 20 and 35 watt MR-11 lamps
- Very narrow profile
- Available in one, two, or three color circuits
- Yoke available for one and two circuit units
- Safety screen provided
- Color frame included
- U.L. and c.U.L. listed for 350 watts per circuit
- Made in the USA



Specifications

Housing: Sheet aluminum construction.

Materials: Construction employs all corrosion-resistant materials and hardware.

Socket: Miniature 2-pin, GZ4. Tool free relamping.

Rating: 120 volts AC/DC operation, 2.9 amps per circuit, 350 watts per circuit maximum.

Cable: 36" Hi-Temp rubber cable standard leads, up to 25' optional.

Access Door: Hinged, can be opened without use of tools.

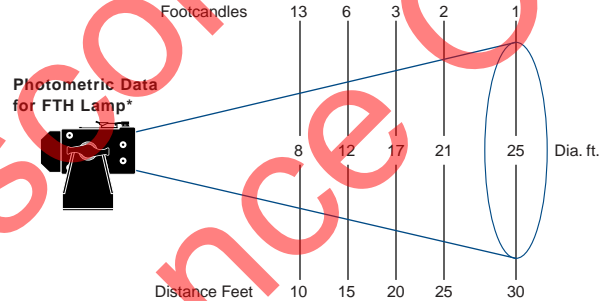
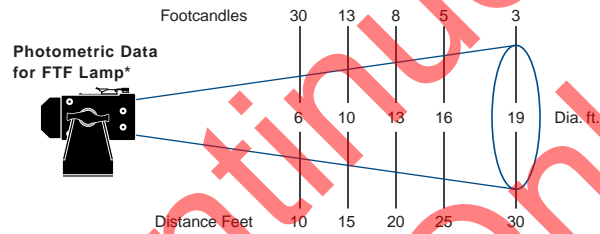
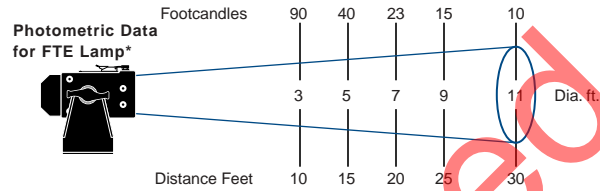
Accessories: Each 20" section accepts one color frame suitable for 10 lamps.

Trunnions: Rigid 16 gauge steel, double trunnions for supporting two fixtures optional.

Safety Screens: Stainless steel.

Finish: Baked black enamel, electrostatic application.

Weight: Approx; 6 lbs. (2.7 kg.) for MICS-1.
Approx; 11 lbs. (5 kg.) for MICS-2.
Approx; 17 lbs. (7.7 kg.) for MICS-3.



*All photometric data for single lamp only.
Actual photometrics dependent on total number of lamps in fixture.
Beam intensities compound due to overlapping of beam patterns

ACCESSORIES Supplied with Luminaire	
MICS-1CF	Color Frame, 2 5/8" x 19 3/4", for MICS-1, (one frame per 10 lamps)
MICS-2CF	Color Frame, 2 5/8" x 38 1/2", for MICS-2, (one frame per 20 lamps)
MICS-3CF	Color Frame, 2 5/8" x 57 1/4", for MICS-3, (one frame per 30 lamps)
MICS-FT	Floor Trunnion, pair

ADDITIONAL ACCESSORIES	
MICS-DFT	Double Floor Trunnion, pair (supports two Micro Strips)
MICS-1Y	Yoke for MICS-1
MICS-2Y	Yoke for MICS-2
510	Malleable Iron Pipe Clamp
SC	Safety Cable with Spring Clip

LAMP DATA

Lamp Type	Watts	Candlepower (Candela)	Color Temp (°k)	Volts	Rated Life (Hours)	Field Angle (Degrees°)	Beam Angle (Degrees°)
FTB	20	3500	2900	12	3500	22°	10°
FTC	20	1760	2900	12	3500	35°	17°
FTD	20	600	2900	12	3500	45°	30°
FTE	35	9000	2900	12	3500	20°	8°
FTF	35	3000	2900	12	3500	36°	20°
FTH	35	1300	2900	12	3500	45°	30°