

Discontinued May 2019



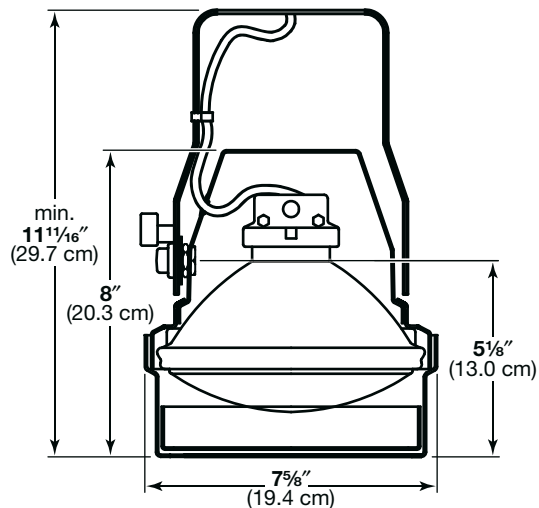
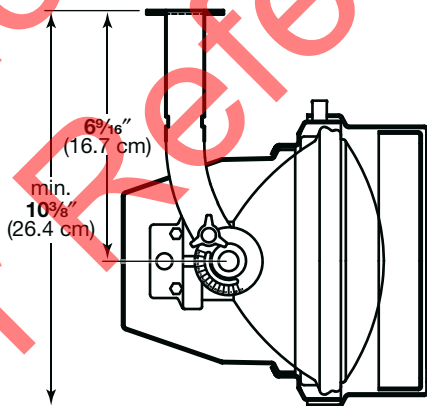
Fixture Type:

The Altman IQ56 is a compact, specification-grade architectural lighting fixture designed for use with 300- to 500-watt PAR56 mogul-end prong lamps. This attractive luminaire is a very efficient means of illuminating and highlighting areas or objects with narrow, medium or wide beam spreads. The IQ56 features tool-free lockable beam rotation, along with all of the admirable features of IQseries fixtures, such as an internal accessory holder for up to three accessories, superior ventilation, and a dual swivel positioning system with degree markings.

Specifications subject to change without notice.

**300- TO 500-WATT  
IQ56 SPOTLIGHT/FLOODLIGHT  
Features**

- Accepts 300- to 500-watt PAR56 lamps
- Lightweight spun aluminum and laser cut steel
- 360° lamp rotation
- Tool-free relamping and lockable beam rotation
- Track, canopy, stem and Unistrut® options available
- Internal accessory holder and safety cable included
- U.L., c.U.L.- and C.E.-listed for up to 300 watts for track and 500 watts for surface-mount and stage and studio portable installations
- Made in the U.S.A.



# 300- TO 500-WATT IQ56 SPOTLIGHT/FLOODLIGHT

## Specifications

**Housing:** Lightweight spun aluminum.

**Materials:** Corrosion-resistant materials and hardware.

**Yoke:** 14-gauge laser-cut steel.

**Rating:** 120/240 volts AC/DC, 4.2/2.1 amps, 500 watts maximum.

**Cable:** 6' total length (unless track or canopy options are specified).

**Socket:** Mogul-end prong; tool-free relamping.

**Finish:** Black TGIC polyester, electrostatic application. White and Silver also available.

**Weight:** Approx. 4 lbs. (1.81 Kg).

Catalog  
Number  
IQ56

## ORDERING INFORMATION

<b>Part Number:</b>	<b>model</b>	<b>voltage</b>	<b>color</b>
	<b>IQ56</b>	-	<b>( B ) black</b>
		110	<b>( W ) white</b>
		240	<b>( S ) silver</b>
			<b>( X ) Custom</b>

### ACCESSORIES SUPPLIED WITH LUMINAIRE

70-2269	Accessory Retainer for 6 <sup>3</sup> / <sub>8</sub> "-Diameter Accessories
MSC	Mini Safety Cable

### ADDITIONAL ACCESSORIES

IQ56-CH	Cylindrical Hood	MINI-CLAMP-*	Extruded Aluminum Clamp for 1/2" to 1 1/2" Pipe (includes 3/8" bolt; * specify black or silver)
IQ56-SCH	Sparkle Cylindrical Hood	MICRO-CLAMP-*	Extruded Aluminum Clamp for 3/8" to 1" pipe (includes 5/16" bolt; * specify black or silver)
IQ56-BD4	4-Leaf Barn Door	TLA-E166*	Nordic Eco 1-Circuit Track Adapter
IQ56-CF	Color Filter Holder	TLA-TEK68*	Nordic Spec Grade 2-Circuit Track Adapter
IQ56-LV	1/4" Honeycomb Louver	TLA-XTSA66*	Nordic Spec Grade 3-Circuit Track Adapter
IQ56-SL	Prismatic Spread Lens	TLA-L*	Lightolier Lytespan® 1-Circuit Track Adapter
IQ56-LSL	Linear Spread Lens	TLA-H*	Halo 1-Circuit Track Adapter
IQ56-DCF-*	Dichroic Glass Filter (* specify color)	54-SVT183-24CC	Coiled Cord with Edison Connector—24" retracted, 6' extended (factory-installed)
IQ56-SGF-*	Slit Glass Filter (* specify color)	—	Canopy, Unistrut®, and Stem-Mount Options Available
510-F	Light-Duty Flat Steel Pipe Clamp for 1/4" to 1 1/2" Pipe (includes 5/16" bolt)		
510	Malleable Iron Pipe Clamp for 3/4" to 1 1/2" Pipe (includes 1/2" bolt)		
MEGA-CLAMP-*	Extruded Aluminum Clamp for 3/4" to 2" Pipe (includes 1/2" bolt; * specify black or silver)		

### LAMP DATA

watts	manufacturer lamp code	color temp.	rated life (hours)	rated lumens	beam shape	center beam candlepower	beam angle	field angle
500	Q500 PAR56/NSP	3000°K	4,000	4,900	NSP	96,000	8° x 13°	15° x 32°
500	Q500 PAR56/MFL	3000°K	4,000	5,700	MFL	43,000	10° x 26°	20° x 42°
500	Q500 PAR56/WFL	3000°K	4,000	5,725	WFL	19,000	20° x 44°	34° x 66°
300	300 PAR56/NSP	2800°K	2,000	1,800	NSP	70,000	8° x 10°	15° x 20°
300	300 PAR56/MFL	2800°K	2,000	2,000	MFL	24,000	11° x 23°	20° x 35°
300	300 PAR56/WFL	2800°K	2,000	2,100	WFL	10,000	18° x 37°	30° x 60°

### PHOTOMETRIC DATA

distance	10'			20'			30'			40'			50'			
	lamp	center beam fc	ht. (')	w. (')	center beam fc	ht. (')	w. (')	center beam fc	ht. (')	w. (')	center beam fc	ht. (')	w. (')	center beam fc	ht. (')	w. (')
	Q500 PAR56/NSP	960	2.6	5.7	240	5.3	11.5	107	7.9	17.2	60	10.5	22.9	38	13.2	28.7
	Q500 PAR56/MFL	430	3.5	7.7	108	7.1	15.4	48	10.6	23.0	27	14.1	30.7	17	17.6	38.4
	Q500 PAR56/WFL	190	6.1	13.0	48	12.2	26.0	21	18.3	39.0	12	24.5	52.0	8	30.6	65.0
	300 PAR56/NSP	700	2.6	3.5	175	5.3	7.1	78	7.9	10.6	44	10.5	14.1	---	---	---
	300 PAR56/MFL	240	3.5	6.3	60	7.1	12.6	27	10.6	18.9	15	14.1	25.2	---	---	---
	300 PAR56/WFL	100	5.4	11.5	25	10.7	23.1	11	16.1	34.6	6	21.4	46.2	---	---	---