

OUTDOOR-PAR64



Fixture Type:

The OUTDOOR-PAR64 luminaire is designed for portable or permanent installations in wet locations for use with PAR64 sealed beam lamps. The housing is constructed of cast aluminum for maximum durability, and the lens holder and external hardware of stainless steel. The unit can be externally rotated for lamp focusing.

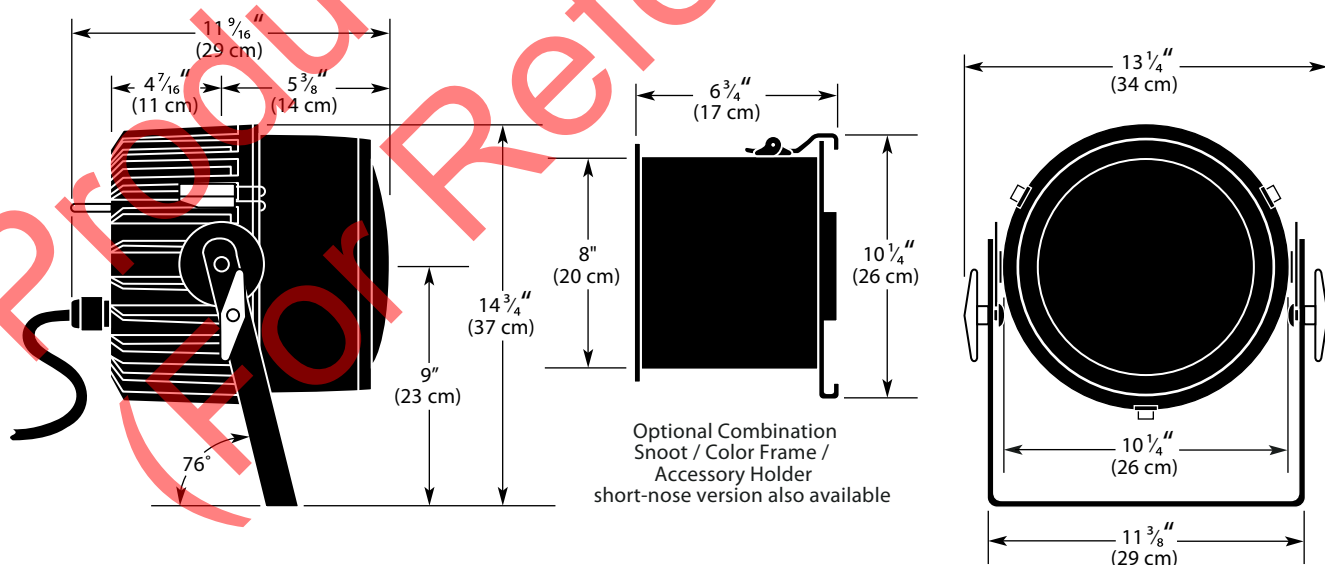
Noncorrosive positive-locking handles make fixture positioning easy. The yoke allows for surface mounting or the unit can be hung with an optional pipe clamp; for added convenience, a separate aluminum handle is also provided on the rear. All removable components have gaskets to insure a water-tight seal, and wiring is composed of 24" Hi-Temp leads in an overall high-temperature, waterproof, sunlight-resistant jacket through a gasketed liquid tight strain relief. The borosilicate glass lens also withstands high temperatures and is tempered for maximum strength. An optional accessory snoot / color-frame holder accommodates standard gel and dichroic color media.

Specifications subject to change without notice.

OUTDOOR-PAR64  
with OD-P64-SN  
snoot installed

1000-WATT  
OUTDOOR PAR64 LUMINAIRE  
Features

- Cast-and-spun aluminum construction
- Designed for portable or permanent, wet or damp installations
- Tool-free 360° lens rotation
- Mogul-end prong socket
- Top-position yoke adjustment
- Safety cable with spring clip included
- Combination snoot / color-frame / accessory holder available
- 24" Hi-Temp sunlight-resistant waterproof cable
- U.L.- and c.U.L.-listed for 1000 watts. IP65 suitable for wet locations
- Made in the U.S.A.



# 1000-WATT OUTDOOR PAR64 LUMINAIRE

## Specifications

**Housing:** Cast-and-spun aluminum construction.

**Materials:** Corrosion-resistant materials and hardware.

**Rating:** 120/240 volts AC/DC operation, 8.3/4.2 amps, 1000 watts maximum.

**Socket:** Mogul-end prong; tool-free relamping.

**Cable:** 24" Hi-Temp rubber, sunlight-resistant; exits unit via liquid-tight compression-type strain relief.

**Yoke:** Rigid aluminum flat stock with dual locking-dog handles.

**Focusing, Lamp:** Enclosed, gasketed cap-and-latch combination allowing for 360° rotation.

**Focusing, Fixture:** Rear-mounted aiming handle provided.

**Finish:** Black epoxy Sandtex, electrostatic application.

**Accessories:** Optional combination snoot / color-frame / accessory holder with color frame accepts standard 10" accessories.

**Weight:** Approx. 18 lbs. (8.1 Kg).

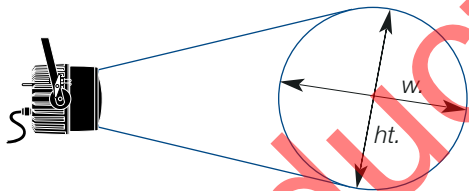
Catalog  
Number  
**OUTDOOR-PAR64**

ACCESSORIES SUPPLIED WITH LUMINAIRE	
SC-36-BK	Safety Cable with Spring Clip

ADDITIONAL ACCESSORIES	
OD-P64-SN	Combination Snoot/Color Frame Holder with 10"×10" Color Frame
8-CF	Additional Color Frame
510	Malleable Iron Pipe Clamp

### LAMP INFORMATION

	ANSI watts	ANSI code	manufacturer lamp code	color temp. (°K)	rated life (hrs)	rated lumens	beam shape	candlepower (cd)	beam angle	field angle
	1000	FFN	Q1000 PAR64/1	3200	600	11,000	VNSP	400,000	6°× 12°	10°× 24°
	1000	FFP	Q1000 PAR64/2	3200	600	12,000	NSP	330,000	7°× 14°	14°× 26°
	1000	FFR	Q1000 PAR64/5	3200	600	14,000	MFL	125,000	12°× 28°	21°× 44°
	1000	FFS	Q1000 PAR64/6	3200	600	19,000	WFL	40,000	24°× 40°	45°× 71°
	1000	--	Q1000 PAR64/NSP	3000	4,000	8,500	NSP	100,000	8°× 15°	14°× 31°
	1000	--	Q1000 PAR64/MFL	3000	4,000	10,000	MFL	80,000	12°× 20°	22°× 45°
	1000	--	Q1000 PAR64/WFL	3000	4,000	13,500	WFL	33,000	24°× 48°	45°× 72°
	500	--	500 PAR64/NSP	2800	2,000	3,000	NSP	110,000	7°× 12°	13°× 20°
	500	--	500 PAR64/MFL	2800	2,000	3,400	MFL	35,000	11°× 13°	20°× 35°
	500	--	500 PAR64/WFL	2800	2,000	3,500	WFL	12,000	20°× 42°	35°× 65°



### PHOTOMETRIC DATA

distance	10'			20'			30'			40'			50'			60'		
	center beam fc	ht. (')	w. (')	center beam fc	ht. (')	w. (')	center beam fc	ht. (')	w. (')	center beam fc	ht. (')	w. (')	center beam fc	ht. (')	w. (')	center beam fc	ht. (')	w. (')
Q1000 PAR64/1	4,000	8.1	4.3	1,000	3.5	8.5	445	5.3	12.8	250	7.0	17.0	160	8.8	21.3	111	10.5	25.5
Q1000 PAR64/2	3,300	2.5	4.6	825	4.9	9.2	367	7.4	13.9	206	9.8	18.5	132	12.3	23.1	92	14.8	27.7
Q1000 PAR64/5	1,250	3.7	8.0	313	7.4	16.2	139	11.1	24.3	78	14.8	32.3	50	18.5	40.4	35	22.2	48.5
Q1000 PAR64/6	400	8.3	14.3	100	16.6	28.5	44	24.9	42.8	25	33.1	57.0	16	41.4	71.3	11	49.7	85.6
Q1000 PAR64/NSP	1,800	2.5	5.5	450	4.9	28.5	200	7.4	16.6	113	9.8	22.2	72	12.3	27.7	--	--	--
Q1000 PAR64/MFL	800	3.9	8.3	200	7.8	16.6	89	11.7	24.9	50	15.6	33.1	32	19.4	41.4	--	--	--
Q1000 PAR64/WFL	330	8.3	14.5	83	16.6	29.1	37	24.9	43.6	21	33.1	58.1	13	41.4	72.7	--	--	--
500 PAR64/NSP	1,100	2.3	3.5	275	4.6	7.1	122	6.8	10.6	69	9.1	14.1	44	11.4	17.6	--	--	--
500 PAR64/MFL	350	3.5	6.3	88	7.1	12.6	39	10.6	18.9	22	14.1	25.2	14	17.6	31.5	--	--	--
500 PAR64/WFL	120	6.3	12.7	30	12.6	25.5	13	18.9	38.2	8	25.2	51.0	5	31.5	63.7	--	--	--