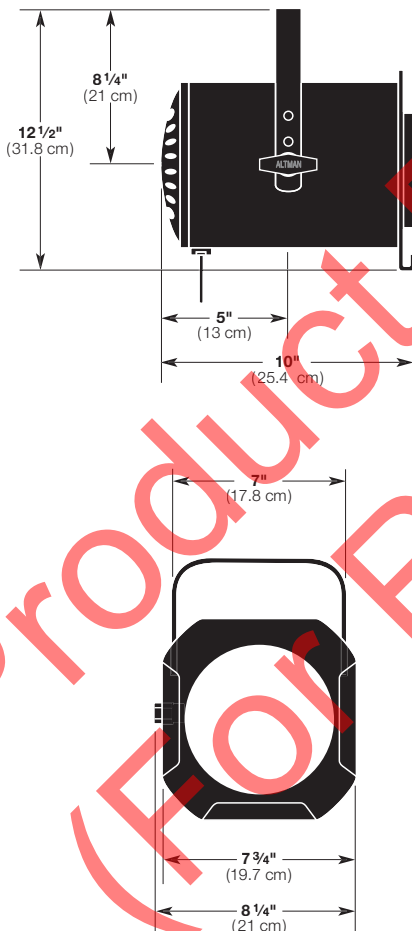


The PAR38 fixture is a low cost, versatile luminaire designed for diverse applications. Intensities and beam spreads are functions of the lamp selected for use in the fixture. One luminaire can serve multiple purposes simply by changing the lamp type. The small size of the PAR38 and a wide range of lamps to choose from make it the ideal luminaire for many lighting applications. Typical installations are found in nightclubs, concerts, theatres and architectural situations where maximum flexibility is desired from a small compact package.



300 WATT

PAR 38

Features

- Rugged sheet steel construction
- Medium screw base socket
- 3 position yoke adjustment
- Color frame and safety cable with spring clip included
- Three 36" Teflon lead wires
- U.L. and c.U.L. listed for 300 Watts
- Made in the USA

Model	-	Lamp
PAR38	-	

**See following page for lamp data*

Project:	Approval Date:
Location:	Fixture Type:

Specifications:

Materials: Construction employs all corrosion-resistant materials and hardware.

Housing: Sheet steel construction.

Yoke: Rigid flat steel.

Socket: Medium screw base. Tool free relamping.

Rating: 120/240 volts AC/DC operation. 2.5/1.3 amps, 300 watts maximum.

Cable: 36" Teflon leads encased in black sleeving.

Finish: Black epoxy sandtex, electrostatic application.

Weight: Approx. 4 lbs. (1.8 kg)

Accessories:

Model Number	Supplied with the fixture
6-CFB	Black Color Frame 7.5"x7.5"
SC-36-BK	36" Black Safety Cable w/ Spring Clip
Additional Accessories	
510	Malleable Iron Pipe Clamp for 3/4"-1 1/2" Pipe
6-BD-4	Four Door, 8 Leaf Barndoor, Black
6-SN	Black Snoot

Lamps:

Part #	Watts	Field Angle	Voltage	Color Temp	Rated Life
90-90PAR/CAP/FL	90W	30°	120V	2950K	2500hr.
90-90PAR/CAP/SP	90W	9°	120V	2950K	2500hr.
90-100BR40/FL	100W		120V	2700K	2000hr.
90-100BR40/SP	100W		120V	2775K	2000hr.
90-120BR40/FL	120W		120V	2900K	2000hr.
90-120BR40/SP	120W		120V	2900K	2000hr.
90-120PARCAP/FL	120W	30°	120V	2950K	3000hr.
90-120PARCAP/SP	120W	9°	120V	2950K	3000hr.
90-120R/FL	120W		120V		
90-300R/FL	300W		120V	2775K	2000hr.
90-300R/SP	300W		120V	2775K	2000hr.
90-Q250PAR38/FL	250W	60°	120V	2900K	6000hr.
90-Q250PAR38/SP	250W	24°	120V	2900K	6000hr.

Photometrics:

