

# THEMED ARCHITECTURAL LIGHTING

Discontinued June 2019

Catalog Number

MAC\*



Specifications subject to change without notice.

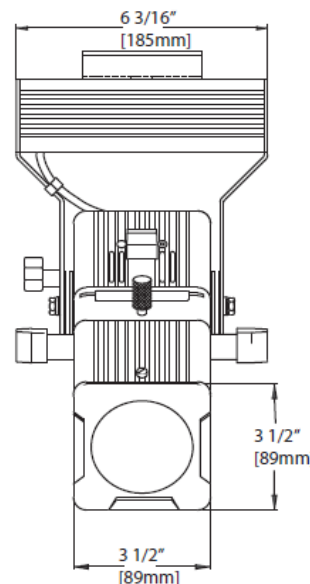
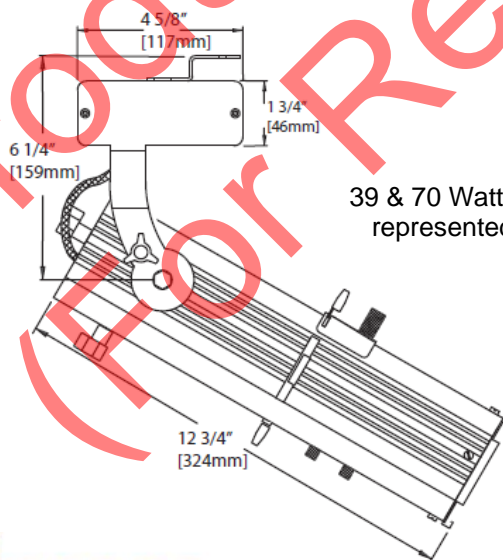
## 39, 70 or 150 WATT CDM/ CMH MASTER ELLIPSE

### Features:

- Compatible w/ Altman Smart Track™
- Track, Canopy, Stem & Unistrut mount Options
- 20°-50° Zoom Optics on low friction Teflon glides
- For use w/ 39, 70 or 150 watt 12,000 hour CDM/CMH lamps
- Multi voltage electronic ballast
- Attractive extruded aluminum housing
- 4 Easily removable and adjustable framing shutters
- Color frame & safety cable with spring clip included
- Tool free lamp centering
- Accessory slot accepts glass or steel templates
- U.L., c.U.L., ETL, cETL or CE listed for 39, 70 or 150 watts
- Made in the USA

Fixture Type:

The Master Ellipse profile ellipsoidal provides 20°-50° zoom optics and is state of the art in function, style, and efficiency. The fixture is designed and engineered with a number of innovative features enhancing versatility and efficiency without sacrificing performance. The specially designed and bright finished metal reflector maximizes light output and is specifically designed for use with ceramic discharge metal halide lamps. The instrument accepts an optional pattern holder for glass or metal patterns or the Master Spin dual pattern rotator. The lens focus is modified by means of Teflon locking glides that are simple to adjust throughout the focusing range. The low heat, high intensity light output of this luminaire makes it perfect for museums, retail and all other architectural venues requiring a small ellipsoidal/ framing projector.



# 39-, 70- or 150-WATT MASTER ELLIPSE CDM

Catalog Number  
**MAC\***

## Specifications

**Housing:** Ribbed aluminum extrusions

**Materials:** Corrosion-resistant materials and hardware.

**Yoke:** Laser cut steel, with positive-locking knob and 1/2" mounting hole.

**Reflector:** Alzak aluminum, ellipsoidal shape. Proprietary design.

**Lens:** Crown glass (white plate).

**Lamp/Socket:** 39-, 70- or 150 Watt UV-blocked G12 ceramic metal halide lamp; 5-kV-pulse-rated socket.

**Rating:** 120VAC operation, 50/60 Hz: 0.38 amps with 39-watt lamp and ballast; 0.58 amps with 70 watt lamp and ballast; 1.25 amps w/ 150 watt ballast. 240VAC and 277VAC operation available.

**Ballast:** 39-, 70- or 150-watt electronic multi voltage ballast. Tested and approved by the manufacturer and carrying a full 3 year warranty.

**Cable:** 6' total length with molded male Edison plug (unless track adapter or other is specified).

**Lamp Alignment:** Tool-free centering and peak-to-flat adjustment.

**Focusing:** Lens movement contained within body; adjustable with heat resistant knobs.

**Shutters:** Galvanized Steel, fully adjustable and removable w/ heat resistant handles.

**Accessories:** External front slot accepts 3-3/8" square x 1/8" thick accessories. Internal pattern slot accepts size E (37.5mm) patterns (Altman pattern holder pt# MAPH-G) or Master Spin dual-rotator.

**Finish:** Black, White or Silver TGIC polyester, electrostatic application. Custom colors available.

**Weight:** Approx; 7 lbs. (2.8 kg.)

Part Number: MAC-*..**				
Model	Wattage	Voltage	Color*	Additional Factory Installed Option**
MAC	39	120	Black	See Below
	70	240	White	
	150	277	Silver	
			Custom	

Accessories Supplied with LUMINAIRE	
MCF MSC	Color Frame 3 3/8" X 3 3/8" Mini Safety Cable

Additional Accessories	
MBD	4-way Barn Doors
MECT	Beam Reducing Circle Templates
MA-DN	3-3/8" x 3-3/8" Donut, Black with 1-3/4" Opening
MAPH-G	Pattern Holder, 1/14" Dia. Opening-"E Size" Accepts Glass and Metal Patterns
MSPIN-110	MasterSpin Variable Speed Bi-Directional Dual Gobo Rotator, 120 VAC
MSPIN-220	MasterSpin Variable Speed Bi-Directional Dual Gobo Rotator, 220 VAC
510-F	Light Duty Flat Steel Pipe Clamp: for 1/4" to 1-1/2" Pipe
510	Malleable Iron Pipe Clamp: 3/4" to 1-1/2" Pipe, includes 1/2" Bolt
MEGA-CLAMP*	Extruded Aluminum Clamp for 3/4" to 2" Pipe, includes 1/2" Bolt *Specify Black or Silver
MINI-CLAMP*	Extruded Aluminum Clamp for 1/2" to 1-1/2" Pipe, includes 3/8" Bolt *Specify Black or Silver
MICRO-CLAMP*	Extruded Aluminum Clamp for 3/8" to 1" Pipe, includes 5/16" Bolt *Specify Black or Silver

### \*\*Additional Factory Installed Options to Follow basic MAC-\* part number

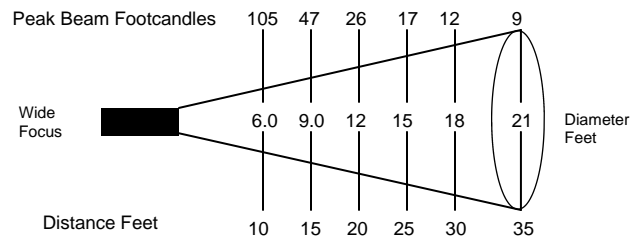
-Y	Two Circuit Smart Track adapter installed with DMX/RDM addressable on/off relay
TLA-E166	Nordic Eco 1 Circuit Track Adapter
TLA-TEK100	Nordic Spec Grade 2 Circuit Track Adapter
TLA-GA100UL	Nordic Spec Grade 3 Circuit Track Adapter
TLA-L	Lightolier Lytespan 1 Circuit Track Adapter
TLA-H	Halo 1 Circuit Track Adapter
54-SVT183-24CC	Coiled Cord with Edison Connector—24" retracted, 6 foot extended Factory installed
Canopy	5" Diameter Canopy with universal mounting bracket
Unistrut	Unistrut bracket installed—spring nuts by others
Stem	Custom Stem to Canopy mount available—Max length 6'

LAMP INFORMATION							
Lamp Type	Watts	Efficiency	Color Temp (°K)	Rated Life (hrs)	Rated Lumens	Color Index	Burn Position
CDM70/T6/830	70	>92 LPW	3000	12,000	6,600	82	Any
CDM 70/T6/942	70	>92 LPW	4000	12,000	6,600	92	Any
CDM150/T6/830	150	>93 LPW	3000	12,000	14,000	85	Any
CDM150/T6/942	150	>85 LPW	4000	6,000	12,700	95	Any
CDMSA150/T6/942	150	>86 LPW	4200	5,000	12,900	96	Any

Field Angle: 25°  
Beam Angle: 10°



Field Angle: 50°  
Beam Angle: 33°



PHOTOMETRIC DATA WITH 70-WATT CDM LAMP