



Discontinued June 2019

Fixture Type:

The Outdoor PAR CDM luminaire, constructed of cast aluminum, utilizes non-corroding hardware and fittings. All joinings have heavy gaskets to protect the lamp, reflector and internal integral ballast from the ravages of inclement weather.

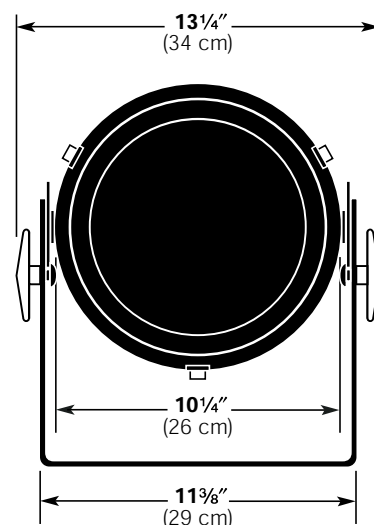
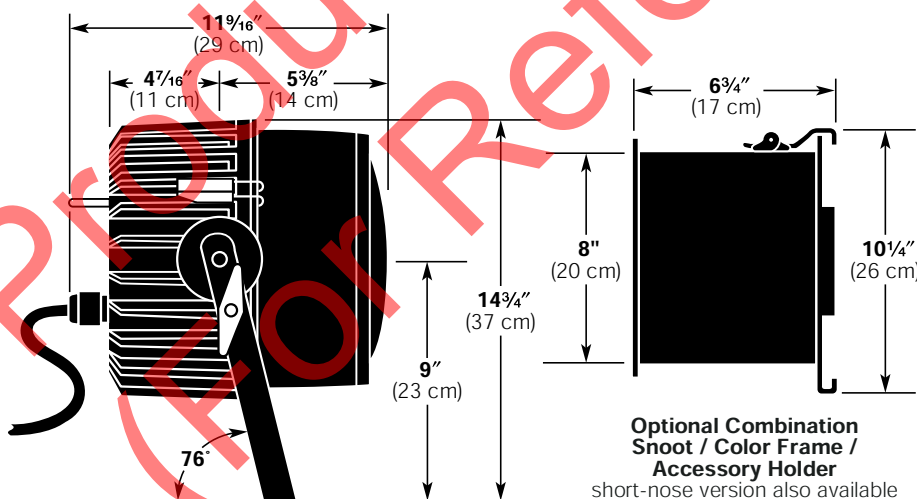
This attractive fixture incorporate reflectors designed to operate efficiently with ceramic-discharge metal halide lamps, and is U.L. and c.U.L. listed with 39-, 70-, and 150-watt

Specifications subject to change without notice.

**39-, 70-, AND 150-WATT
OUTDOOR PAR CDM**

Features

- Tool-free access to lamp for replacement
- Cast-and-spun aluminum construction
- Designed for portable or permanent wet or damp installations
- Tool-free 360° lens rotation
- Five interchangeable lenses available; four supplied with unit
- Reflector made of high-grade aluminum polished to a mirror finish
- Axially mounted G12 lampholder
- Low-wattage lamps and high efficiency reflectors drastically reduce power consumption and operating costs
- Two-position yoke adjustment
- Combination snoot / color frame / accessory holder available
- 39-, 70-, and 150-watt-configured Outdoor PARs are U.L.- and c.U.L.-listed and suitable for wet locations
- Made in the U.S.A.



39-, 70-, AND 150-WATT OUTDOOR PAR CDM

Specifications

Housing: Cast-and-spun aluminum with stainless steel fasteners and latches.

Materials: Corrosion-resistant materials and hardware.

Yoke: Rigid aluminum flat stock with dual locking handles and three mounting holes.

Reflector: High grade aluminum, chemically polished and coated, parabolic design.

Lenses: Five different beam-shaping lenses available (see performance chart); very narrow spot, narrow spot, medium flood, and wide flood supplied with unit.

Lamp/Socket: 39-, 70- or 150-watt UV-blocked G12 ceramic metal halide lamp; 5-kV-pulse rated socket.

atings: 120 volt operation, 50/60 Hz: 0.38 amps with 39-watt lamp and ballast; 0.58 amps with 70-watt lamp and ballast; 1.25 amps with 150-watt lamp and ballast. 240VAC and 277VAC operation also available.

Ballast: Aromat Corp. 39-, 70- and 150-watt NAIS DCP electronic. Tested and approved by the manufacturer and carrying a full 5 year warranty.

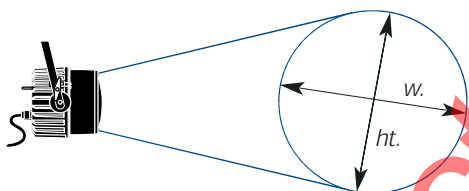
Cable: 4' of insulated three-conductor cable.

Lamp Access: Tool-free access provided by releasing latches and separating two main castings.

Focusing: Provided by lens selection; round or oval beam shapes are aimed at subject.

Finish: Black epoxy Sandtex, electrostatic application.

Weight: Approx. 18 lbs. (8.1 Kg).



ACCESSORIES SUPPLIED WITH LUMINAIRE	
97-0150	Set of Four Lenses (VNSP, NSP, MFL, WFL)
SC-36-BK	Safety Cable with Spring Clip

Catalog Number
ODC-A

ADDITIONAL ACCESSORIES			
OD-P64-SN	Combination Snoot/Color Frame Holder with 10"×10" Color Frame	18-0114 90-35CDMT6/830	Very Wide Flood Spread Lens 39-Watt CDM Lamp 3000° K / 12,000 Hr.
ODC-SN-SHORT	1½" Short Nose Combination Frame Holder with a 10"×10" Color Frame	90-70CDMT6/830	70-Watt CDM Lamp 3000° K / 12,000 Hr.
8-CF	Additional Color Frame	90-70CDMT6/942	70-Watt CDM Lamp 4000° K / 12,000 Hr.
510	Malleable Iron Pipe Clamp	90-150CDMT6/830	150-Watt CDM Lamp 3000° K / 12,000 Hr.
510-BLK	Black Malleable Iron Pipe Clamp	90-150CDMT6/942	150-Watt CDM Lamp 4000° K / 6,000 Hr.
18-0110	Very Narrow Spot Lens	90-150CDMSA/942	150-Watt CDM Lamp 4200° K / 5,000 Hr. Short Arc
18-0111	Narrow Spot Spread Lens		
18-0112	Medium Flood Spread Lens		
18-0113	Wide Flood Spread Lens		

LAMP INFORMATION

lamp type	watts	efficiency	color temp (°K)	rated life (hrs)	rated lumens	color rendering index	burn position
CDM 35/T6/830	39	>87 l/W	3000	12,000	3,400	81	any
CDM 70/T6/830	70	>92 l/W	3000	12,000	6,600	82	any
CDM 70/T6/942	70	>92 l/W	4000	12,000	6,600	92	any
CDM 150/T6/830	150	>93 l/W	3000	12,000	14,000	85	any
CDM 150/T6/942	150	>85 l/W	4000	6,000	12,700	95	any
CDM SA150/T6/942	150	>86 l/W	4200	5,000	12,900	96	any

PHOTOMETRIC DATA FOR ODC WITH 150-WATT CDM LAMP

lens	candle-power (cd)	beam angle	field angle	efficiency	distance		10'		20'		30'		40'		50'		60'	
					center beam fc (')	ht. w. (')	center beam fc (')	ht. w. (')	center beam fc (')	ht. w. (')	center beam fc (')	ht. w. (')	center beam fc (')	ht. w. (')	center beam fc (')	ht. w. (')		
Very Narrow Spot (VNSP)	359,500	6°×6°	17°×17°	73%	3,595	3 3	899	6 6	399	9 9	225	12 12	144	15 15	100	18 18		
Narrow Spot (NSP)	256,800	7°×7°	19°×19°	66%	2,568	4 6	642	7 7	285	10 10	161	13 13	103	17 17	71	20 20		
Medium Flood (MFL)	95,800	10°×21°	25°×33°	77%	958	8 11	240	9 12	106	13 18	60	18 24	38	22 30	27	26 36		
Wide Flood (WFL)	30,400	18°×41°	42°×59°	59%	304	6 11	76	15 23	34	21 34	19	30 45	12	38 57	8	46 68		
Very Wide Flood (VWFL)	10,146	56°×56°	79°×79°	71%	102	11 11	26	21 21	12	32 32	7	43 43	4	54 54	3	64 64		

Conversion Factors: 39-watt lamp, fc×0.24; 70-watt lamp fc×0.48. Lux = fc×0.0929.

ORDERING INFORMATION

model	color	lens	voltage	wattage
Part Number: ODC	- () Black	- A*	-	-
	(W)hite		110	39
	(S)ilver		240	70
	(X) Custom		277	150

* Equipped with VNSP, NSP, MFL, and WFL lenses.

ALTMAN
Lighting, Inc.
BRINGING IMAGINATION TO LIGHT

Copyright © 2003 Altman Lighting, Inc., 57 Alexander Street, Yonkers, NY 10701. Tel.: 914.476.7987 / 212.569.7777 / 800.4.ALTMAN. Fax: 914.963.7304. Visit us online at <http://www.altmanlighting.com>.

Altman Lighting, Inc. is a wholly owned subsidiary of Altman Stage Lighting Company, Inc.

092203