

Specifications:

Housing: Die-cast aluminum construction

Yoke: Rigid flat steel with dual locking dog tilt handles, two mounting positions, indexed tilt angle markings.

Reflector: Alzak aluminum ellipsoidal design.

Lenses: Color coded crown glass (white plate) lenses provided with anti-reflective coating. Molded front lens made out of polymeric plastic for 5 and 10 degree units only.

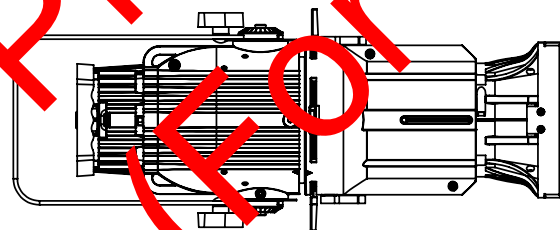
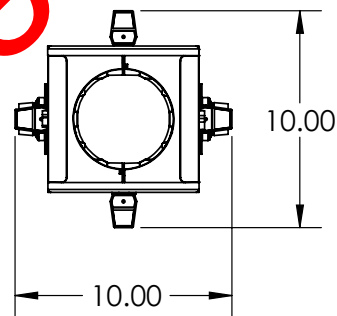
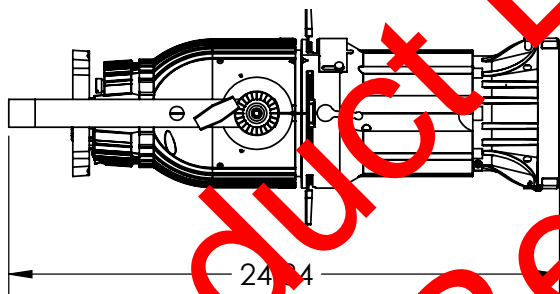
Socket: 5kV Pulse rated socket. Tool free re-lamping.

Ballast: Electronic ballast 39, 70 and 150W - multi voltage.

Cable: 36" Teflon leads incased in black fiberglass sleeving, rear cord wrap provided.

Shutters: Four .037" stainless steel, fully adjustable and lockable. Constructed with oversized heat resistant handles.

Included Accessories	
6-CFB	Black Color Frame, 6 1/4" x 6 1/4"
510	Malleable Iron Pipe Clamp
SC-36-BK	36" Black Safety Cable with Spring Clamp
Additional Accessories	
10-CFB	Black Color Frame, 10" x 12" included with PHX-10 and C10)
12-CFB	Black Color Frame, 14" x 14" included with PHX-5 and C5
510-HD	Heavy Duty Malleable Iron Pipe Clamp
4.5-DN	6 1/4" x 6 1/4" Donut, Black with 1/2" Hole
10-DN	12" x 12" Donut, Black
12-DN	14" x 14" Donut, Black
4.5-SN	6 1/4" x 6 1/4" Snoot, Black
10-SN	12" x 12" Snoot, Black
12-SN-BK	14" x 14" Snoot, Black
PHX-SPH	PHX Steel Pattern Holder, "B" Size
PHX-GPH	PHX Glass Pattern Holder, "B" Size
PDII	PHX Drop-In Iris



CONVERSION FACTORS	
39 Watt Lamp = f.c. x .24	
79 Watt Lamp = f.c. x .48	
Lux = f.c. x .0929	

LAMP DATA							
Lamp Type	Watts	Efficiency	Color Temp (K)	Rated Life (Hours)	Rated Lumens	Color Rendering Index	Burn Position
CDM 35/T6/830	39	>87 LPW	3000	12,000	3,400	81	Any
CDM 70/T6/830	70	>92 LPW	3000	12,000	6,600	82	Any
CDM 70/T6/942	70	>92 LPW	4000	12,000	6,600	92	Any
CDM 150/T6/830	150	>93 LPW	3000	12,000	14,000	85	Any
CDM 150/T6/942	150	>85 LPW	4000	6,000	12,700	95	Any
CDM SA150/T6/842	150	>86 LPW	4200	5,000	12,900	96	Any