

# CHALICE RECESSED LED DOWNLIGHT

## 50 Watt LED

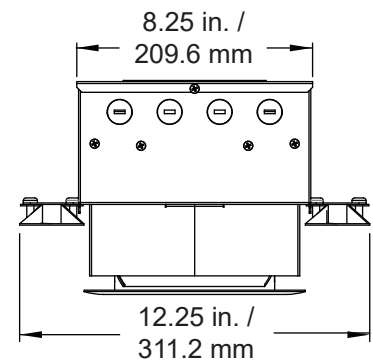
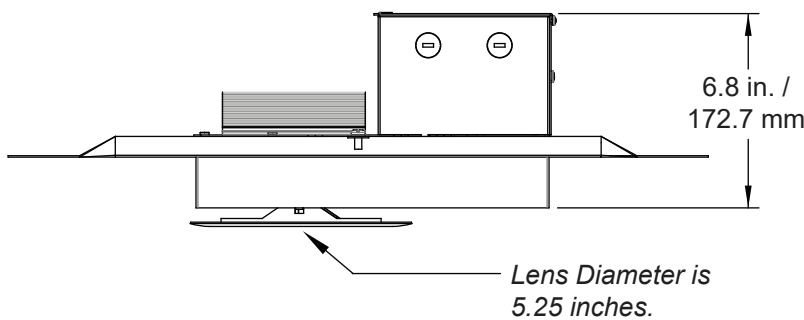
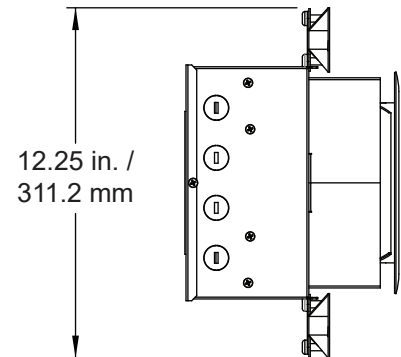
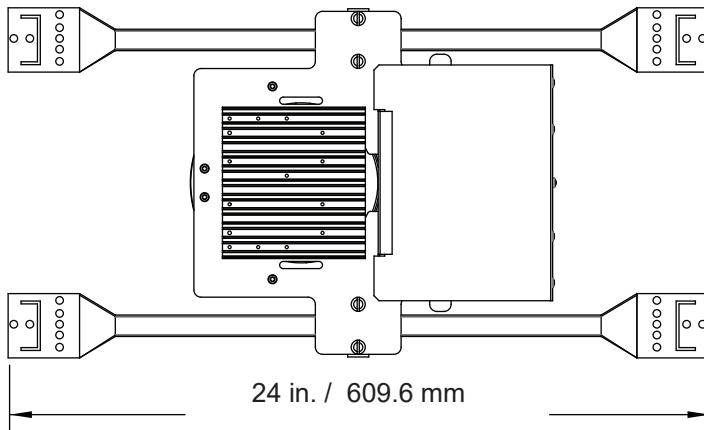
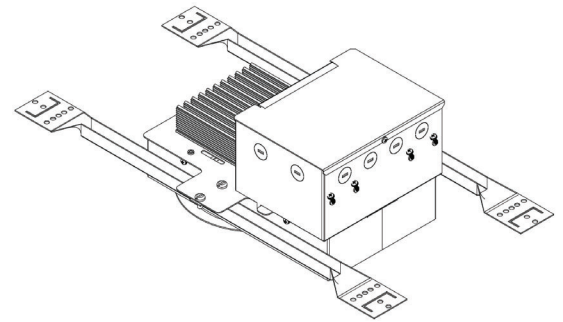
The 50W Recessed Chalice from Altman Lighting is a LED architectural downlight designed for permanent installation and energy savings. Offering all of the benefits and longevity of an LED luminaire, changing lamps in your fixtures has now become a thing of the past.

Adding a fixture into a DMX system control system is easy with the simple three-button DMX addressing that is easily accessible from the bottom of the fixture - set it once and enjoy a smoothly integrated and energy efficient illumination solution for your area of choice.

The 50W Recessed Chalice fixture is able to be controlled by your DMX Control console & architectural control system; for facilities without a DMX control system the 50W Recessed Chalice is also available in a single color channel mains dimmable fixture.

**Product Features:**

- 50W LED driver
- 5 interchangeable lenses
- DMX or Mains Dimmable (note, mains dimmable only available in a single color LED only)
- Push Button DMX Addressing and RDM compatibility
- DMX Pass through
- 8-bit or 16-bit selectable DMX modes
- cETLus listed for indoor applications
- Proudly made in the USA



**Specifications**

**Materials:** Construction employs all corrosion-resistant materials and hardware.

**Housing:** Corrosion resistant aluminum outer shell with aluminum interior components.

**Control:** Mains Dimmable or DMX / RDM

**Light Engines:** **DMX Models:** 50W LED Array - Available in 3000K to 6000K Tunable White, RGBA, RGBW and custom arrays (consult factory before ordering).  
**Mains Dimmable Models:** 50W LED Array - Available in with single color, custom arrays only. Consult factory before ordering

**LED Rated Life:** LED array are rated for >50,000 hours of operation.

**Input Voltage:** 100-240 VAC 50/60 Hz  
 0.42A @120VAC  
 0.21A @ 240VAC

**Cooling:** Natural Convection

**Environment:** 0 to 40 degrees C (32 to 104 degrees F)

**Trim Rings:** Available in Black, White, or Custom (for custom colors, consult factory before ordering).

**Weight:** 12 Pounds (5.44Kg.)

**Compliance:** cETLus Listed

**Ordering Information**

**CDR50-(LED Array)-(Trim Ring Color)-(Control)-(Voltage)**

**Model:** CDR50 Chalice Recessed LED Luminaire  
**LED Array:** RGBA or RGBW or 3K6K (tunable white) or Custom (C)\*  
**Trim Ring Color:** Black (B) or White (W) or Custom (C)\*  
**Control:** DMX Control (D) or Mains Dimmable (M)\*\*  
**Voltage:** 120VAC (120) or 220-240VAC (220)

**Notes:**  
 \*Consult factory before ordering.  
 \*\*Mains Dimmable models are not available for RGBA, RGBW, or tunable white LED fixtures. Only available with a single color, custom LED array (for custom LED arrays, consult factory before ordering).

**Optional Accessories**

**18-CDR50-20** 20°, 5.25" diameter Acrylic Lens  
**18-CDR50-30** 30°, 5.25" diameter Acrylic Lens  
**18-CDR50-40** 40°, 5.25" diameter Acrylic Lens  
**18-CDR50-60** 60°, 5.25" diameter Acrylic Lens  
**SS-CDR50-P95** 22°, 5.25" diameter Diffusion Lens

**NOTES:**

- The above lenses are for use with the CDR50 fixtures only and are not interchangeable with the CDP series luminaires.
- When using diffusers (20°,30°,40°, 60° and P95) please allow for a minimum throw distance of 10'-0" (approximately 3m) for color uniformity.

**SS-8CDL-DMXTERM** 120-Ohm DMX Terminator Kit

**NOTE:** Ceiling Cut Opening: 6-inches (minimum) to 7.5-inches (maximum).

