



Fixture Type:

The Altman UV-250 is a compact, high output blacklight floodlight. It is designed to provide a wash of high intensity illumination of fluorescent materials at distances of up to 40 feet. The luminaire does not require any fans for cooling, resulting in extremely quiet operation.

A special lens filters out harmful UV-B and UV-C wavelengths and almost all visible light, and is provided with an integral wire mesh safety screen.

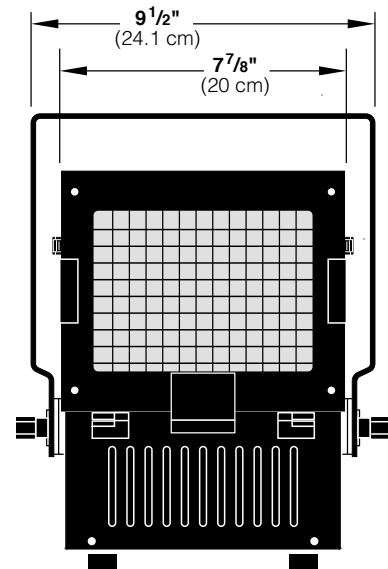
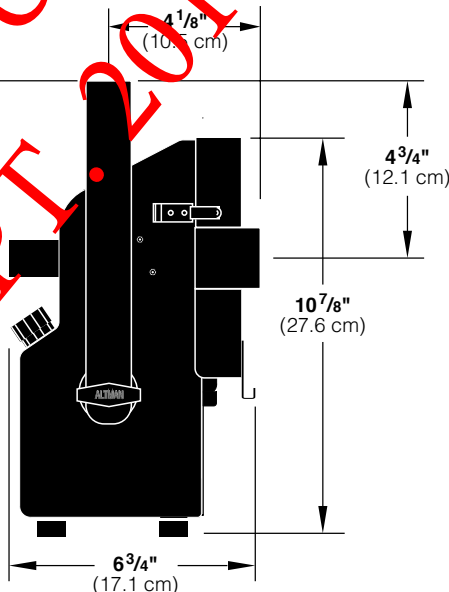
Specifications subject to change without notice

250 WATT UV-250 BLACKLIGHT FLOODLIGHT

Features

- Compact, rugged construction
- UV filter lens
- Integrated ballast and ignitor
- Automatic safety cutoff switch
- Extremely quiet operation
- Tool free lamp access through lens door
- Integrated wire mesh safety screen
- Built-in cord wrap
- Safety cable with spring clip included
- Accepts 7 1/2" accessories
- E.T.L. and c.E.T.L. listed for 250 watts
- Made in the USA

PRODUCT DISCONTINUED
SEPT. 2019



Specifications

Housing: Sheet aluminum and sheet steel construction. Provided with 4 non-skid rubber feet.

Materials: Construction employs all corrosion-resistant materials and hardware.

Yoke: 1/8" x 1 1/4" flat steel with dual locking tilt disks with Hi-temp handles.

Reflector: Diffused etched aluminum.

Lens: Tempered borosilicate UV filter lens. Wire safety mesh installed.

Socket: RX7 lampholder

Rating: 120 volts 60Hz A/C operation. (208, 240, 277 available).

Power Switch: ON/OFF rocker switch.

Ballast: Integral with luminaire. Magnetic ballast.

Circuit Protection: Automatic safety switch disconnects power if access door is opened.

Cable: 5' of 16/3 provided.

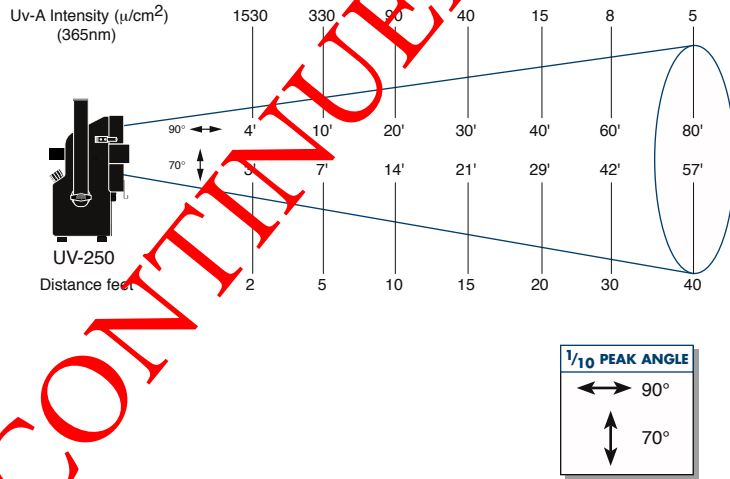
Access Door: Hinged, allows access to lamp for replacement and to lens and reflector for cleaning. Tool free relamping.

Accessories: Accepts standard 7 1/2" accessories

Finish: Black epoxy sandtex, electrostatic application.

Weight: Approx; 19 lbs. (8.6 kg.)

RADIOMETRIC DATA MHL-250 LAMP



ACCESSORIES Supplied with Luminaire	
SC-36-BK	Safety Cable / Spring Clip

LAMP DATA						
Lamp Type	Watts	Volts (Nominal)	Volts (Striking)	Peak Spectrum (UV-A)	Rated Life (Hours)	Burning Position
MHL-250	250	125	4KV	300-450nm	500	HOR.+/-10°

ADDITIONAL ACCESSORIES	
6-CF	Color frame 1/2" x 7 1/2"
510	Malleable Iron Pipe Clamp
6-SN	Snood
6-BD-4	4 Door, 8 Leaf Barn Door
90-MHL250	250 Watt UV Lamp

BLACKLIGHT FLOODLIGHT PERFORMANCE CHART				
Fixture Type	Focus	1/2 Peak Angle (Degrees)		1/10 Peak Angle (Degrees)
UV-250	Flood	↔ 80°	↕ 65°	↔ 90° ↕ 70°