

# LED WORK LIGHT 130W

The Altman Lighting LED Work Light is the ideal work light solution for any theatre space, large or small. The 3000K or 5000K, 130W single point source provides 10,000 lumens and offers a true tungsten look and feel. The LED Work Light comes with a metal filter frame for use with diffusion and color filters.

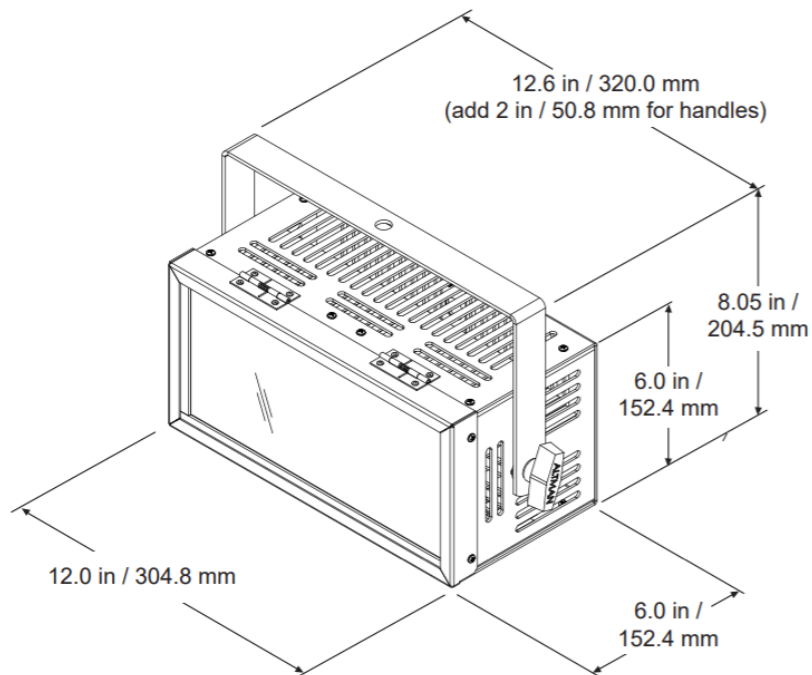
The Altman LED Work Light functions as an on/off only fixture for ease of use and offers yoke mounting making it an easy retrofit solution.



*LED Worklight*

**Product Features:**

- Designed as a cost effective, high impact LED work light solution
- 3000K or 5000K white, 90 CRI
- > 10,000 Lumens
- Asymmetrical reflector providing even light distribution
- Black or White finish available
- Uniform consistent white light
- Weight: 12 lbs. / 5.45 kg (approximate)
- Convection cooled, no fans
- cETLus listed, IP20 rated for indoor use only
- Made in the USA
- Five (5) year and one (1) day warranty
- No cost technical support for the life of your product



NOTE: Drawings not to scale.

# Specifications

**Materials:** Corrosion-resistant materials and hardware

**Housing:** Lightweight aluminum construction

**Control:** Switched mains. Not dimmable.

**Light Engine:** 130W LED Array - Available in 3000K, or 5000K

**Rated LED Life:** Array rating >50,000 hours to L70

**Input Voltage:** 100-277 VAC 50/60 Hz

**Watts:** 130

**LED Engine Cooling:** Convection, passive

**Environment:** 0 - 40°C (32 - 104°F) with humidity of 5-95% non-condensing)

**Weight:** 12 lbs. (5.45 kg)

**Body Color:** Black or White. Custom colors - consult factory

**Compliance:** cETLus listed for indoor use

**Warranty:** Five (5) years and One (1) day

**Support:** Supported Forever - free phone and online tech support for the life of your product.

# Ordering Information

**WL-130-(LED Array)-(Body Color)**

**Model** WL-130 LED Work Light

**LED Array:** 3K (3000K), 5K (5000K)

**Body Color:** Black (B) or White (W) or Custom (C)\*\*\*

**Voltage:** 120 (120VAC), 220 (220VAC), or 277 (277VAC)

# Included Accessories

**70-3259-\*\*** Color Frame with Diffusing Gel

**SC-36-BK** Safety Cable

**510** Malleable Iron Pipe Clamp

*\*\*Black (B) or White (W) or Custom (C). Consult factory for custom colors.*

# Optional Accessories

**WL-BD-BK** Black Work Light Barn Doors

**WL-BD-WH** White Work Light Barn Doors

**WL-BD-CP** Custom Paint Work Light Barn Doors (Consult factory for custom colors.)

Performance				
Throw Distance (d)	4' / 1.2m	6' / 1.8m	8' / 2.4m	10' / 3.0m
Beam Size (HxV)	9.3' x 10.0' 2.8m x 3.0m	14.0' x 15.0' 4.3m x 4.6m	18.7' x 20.0' 5.7m x 6.1m	23.3' x 25.0' 7.1m x 7.6m
Illuminance (fc)	177	79	44	28
Illuminance (lux)	1,905	850	474	301

