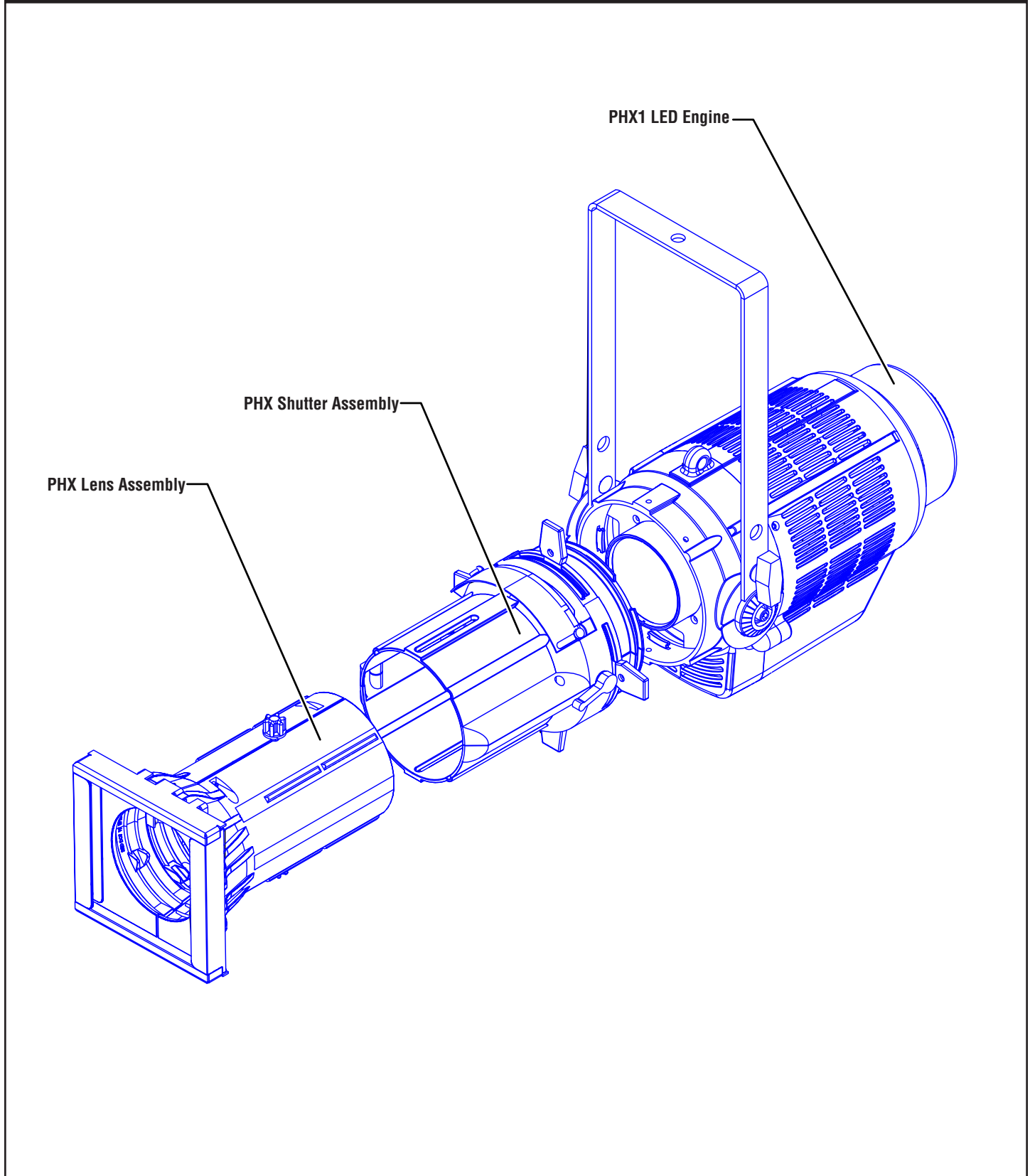


# PHX1 Main Assembly

Manual Part# - 49-0227

Rev B

Color Code ● = Object ● = MFG, Number Not For Sale ● = Obsolete ● = Part Number/ Note **BOLD** = Sub Assembly



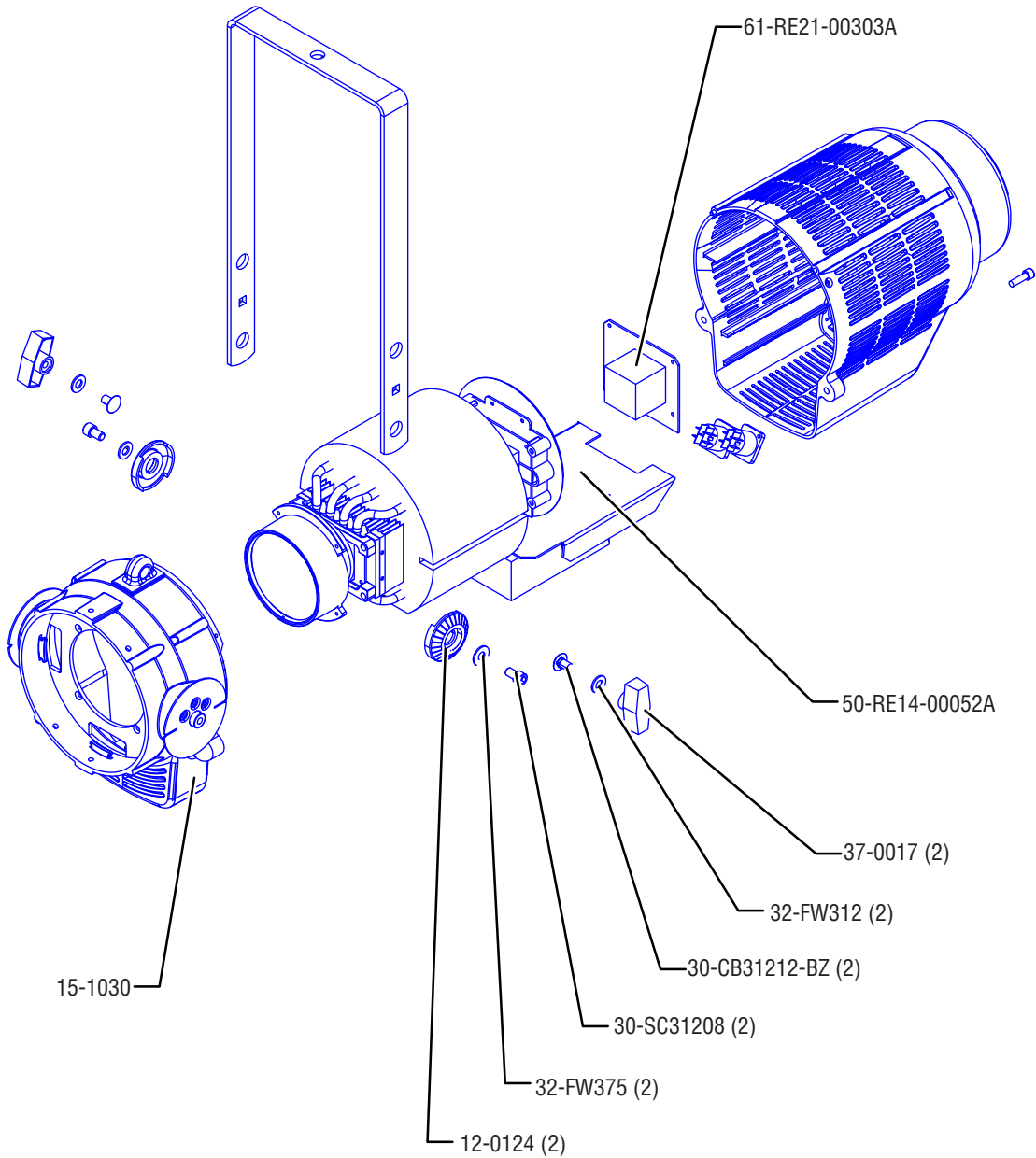
Altman Lighting Co Inc.  
1400 East 66th Ave. Denver, CO 80229  
Main Number: 303-500-7072  
<https://www.altmanlighting.com>

# PHX1 LED Engine Assembly

Manual Part# - 49-0227

Rev B

Color Code ● = Object ● = MFG, Number Not For Sale ● = Obsolete ● = Part Number/ Note **BOLD** = Sub Assembly



## 71-092\* PHX150 Head Assembly

Part Number	Description
71-0920-25-*	PHX1 LED 150W 3K Head
71-0921-25-*	PHX1 LED 150W 5.6K Head
71-0922-25-*	PHX1 LED 150W 3K/5.6K Head
71-0923-25-*	PHX1 LED 150W RGBA
71-0924-25-*	PHX1 LED 150W RGBW

Note: \* = When ordering you need to specify color. Use BK for Black and WH for White

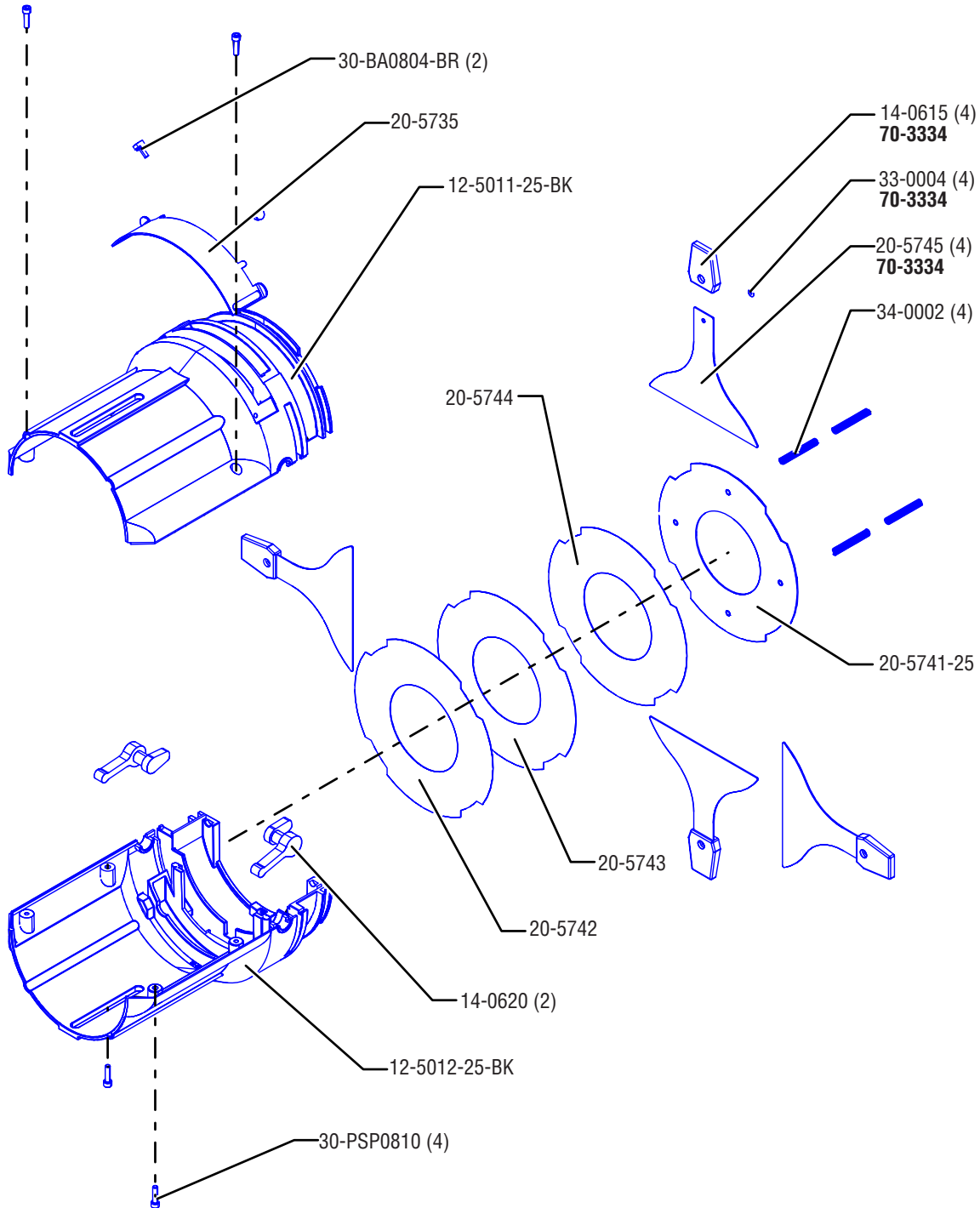


**Altman Lighting Co Inc.**  
 1400 East 66th Ave. Denver, CO 80229  
 Main Number: 303-500-7072  
<https://www.altmanlighting.com>

# PHX Shutter Assembly

Color Code ● = Object ● = MFG, Number Not For Sale ● = Obsolete ● = Part Number/ Note **BOLD** = Sub Assembly

## 70-3335-\* Assembly



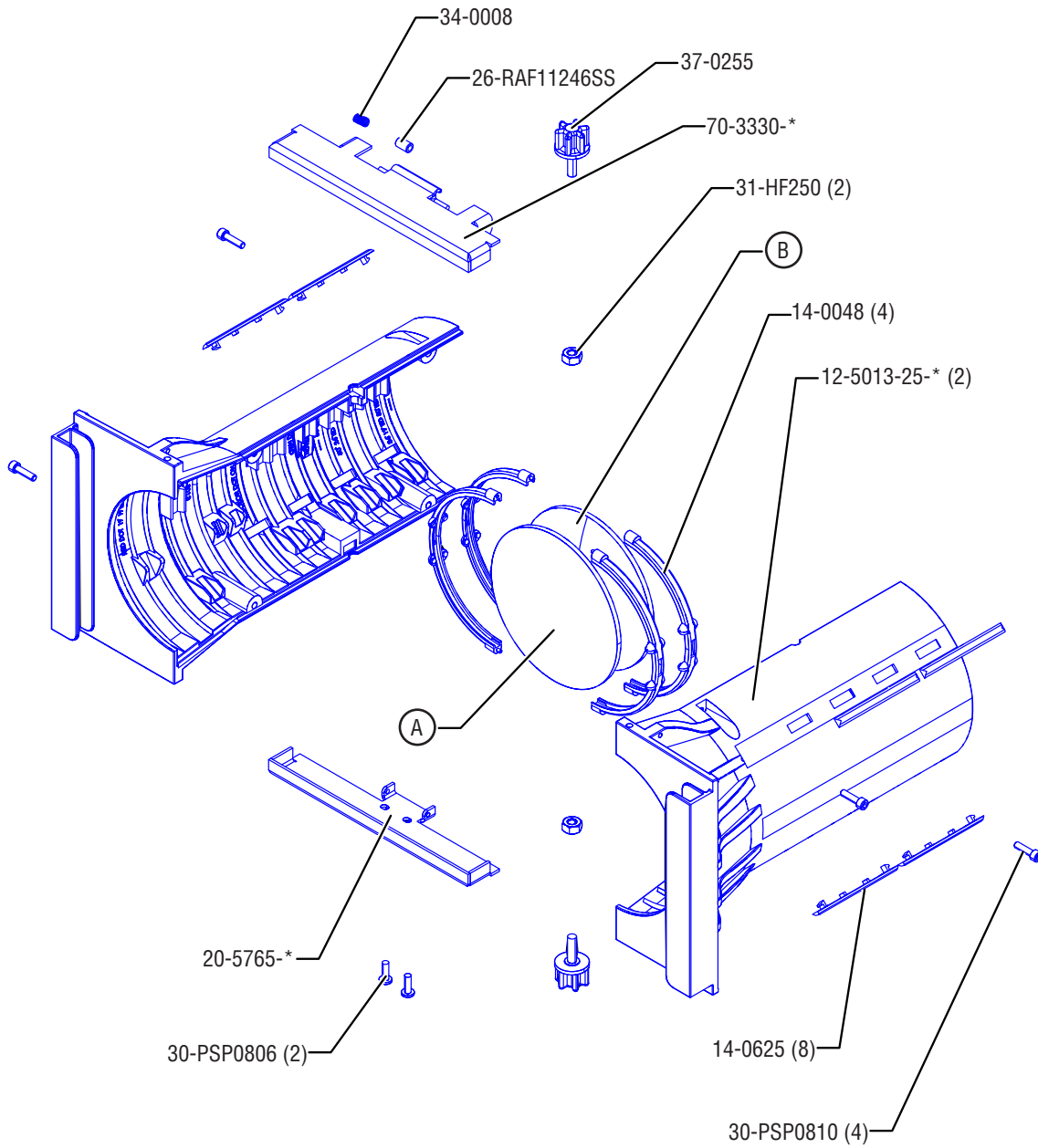
Note: \*= WH for White or SL for Silver, Black is standard and no suffix is required



Altman Lighting Co Inc.  
 1400 East 66th Ave. Denver, CO 80229  
 Main Number: 303-500-7072  
<https://www.altmanlighting.com>

# PHX Lens Assembly

Color Code ● = Object ● = MFG, Number Not For Sale ● = Obsolete ● = Part Number/ Note **BOLD** = Sub Assembly



## PHX Lens Assemblies

Fixture	A	B	Lens Assembly
50°	18-2017	18-2018	<b>71-0801-*</b>
36°	18-2018	18-2019	<b>71-0802-*</b>
26°	18-2020	18-2020	<b>71-0803-*</b>
19°	18-2016	18-2016	<b>71-0804-*</b>

Note: \* = When ordering you need to specify color. Use BK for Black and WH for White



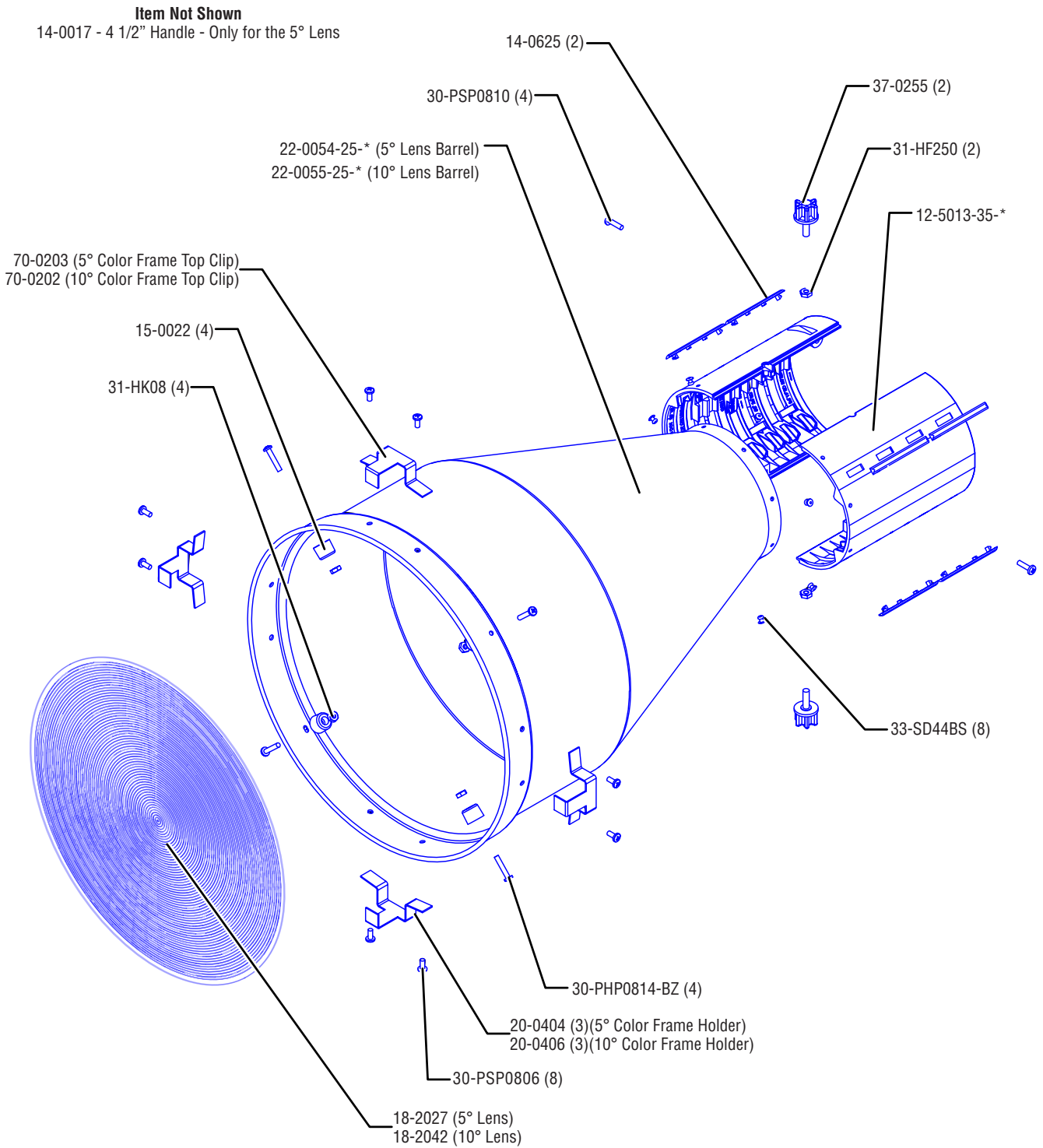
**Altman Lighting Co Inc.**  
 1400 East 66th Ave. Denver, CO 80229  
 Main Number: 303-500-7072  
<https://www.altmanlighting.com>

# PHX 5° and 10° Lens Assembly

Manual Part# - 49-0227

Rev B

Color Code ● = Object ● = MFG, Number Not For Sale ● = Obsolete ● = Part Number/ Note **BOLD** = Sub Assembly



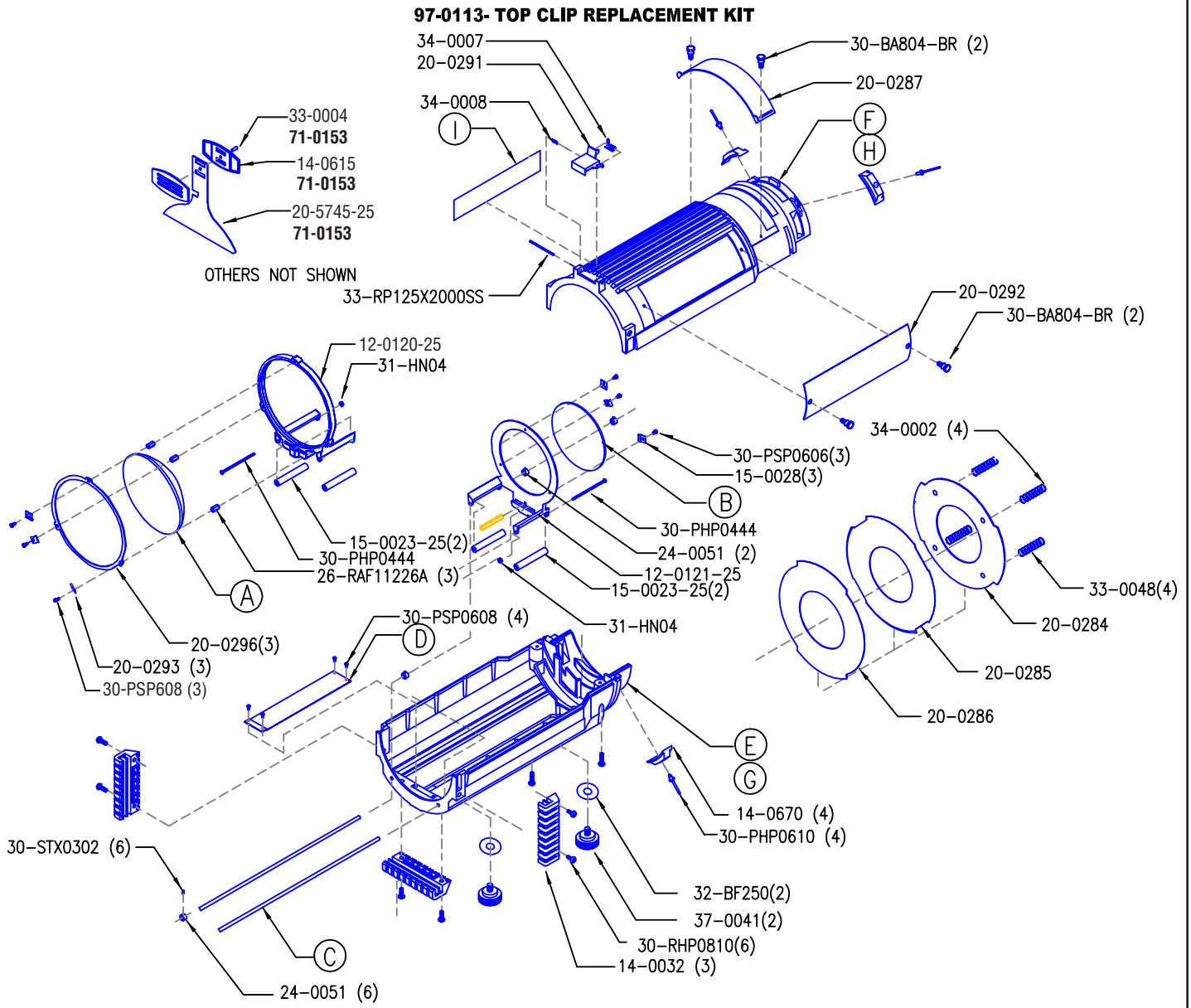
Note: \* = When ordering you need to specify color. Use BK for Black and WH for White



**Altman Lighting Co Inc.**  
1400 East 66th Ave. Denver, CO 80229  
Main Number: 303-500-7072  
<https://www.altmanlighting.com>

# PHX 15-35° and 30-55° Zoom Lens Assembly

Color Code ● = Object ● = MFG, Number Not For Sale ● = Obsolete ● = Part Number/ Note **BOLD** = Sub Assembly



Fixture	A	Lens Assembly	B	Lens Assembly	C	D	E	F	G	H	I
15°-35°Zoom	18-2050	<b>71-0175</b>	18-2051	<b>71-0176</b>	06-0302 (2)	20-0294	12-0117	12-0117	70-0066	70-0067	47-0207
30°-55°Zoom	18-2052	<b>71-0177</b>	18-2053	<b>71-0178</b>	06-0301 (2)	20-0295	12-0119	12-0119	70-0069	70-0068	47-0208



**Altman Lighting Co Inc.**  
 1400 East 66th Ave. Denver, CO 80229  
 Main Number: 303-500-7072  
<https://www.altmanlighting.com>