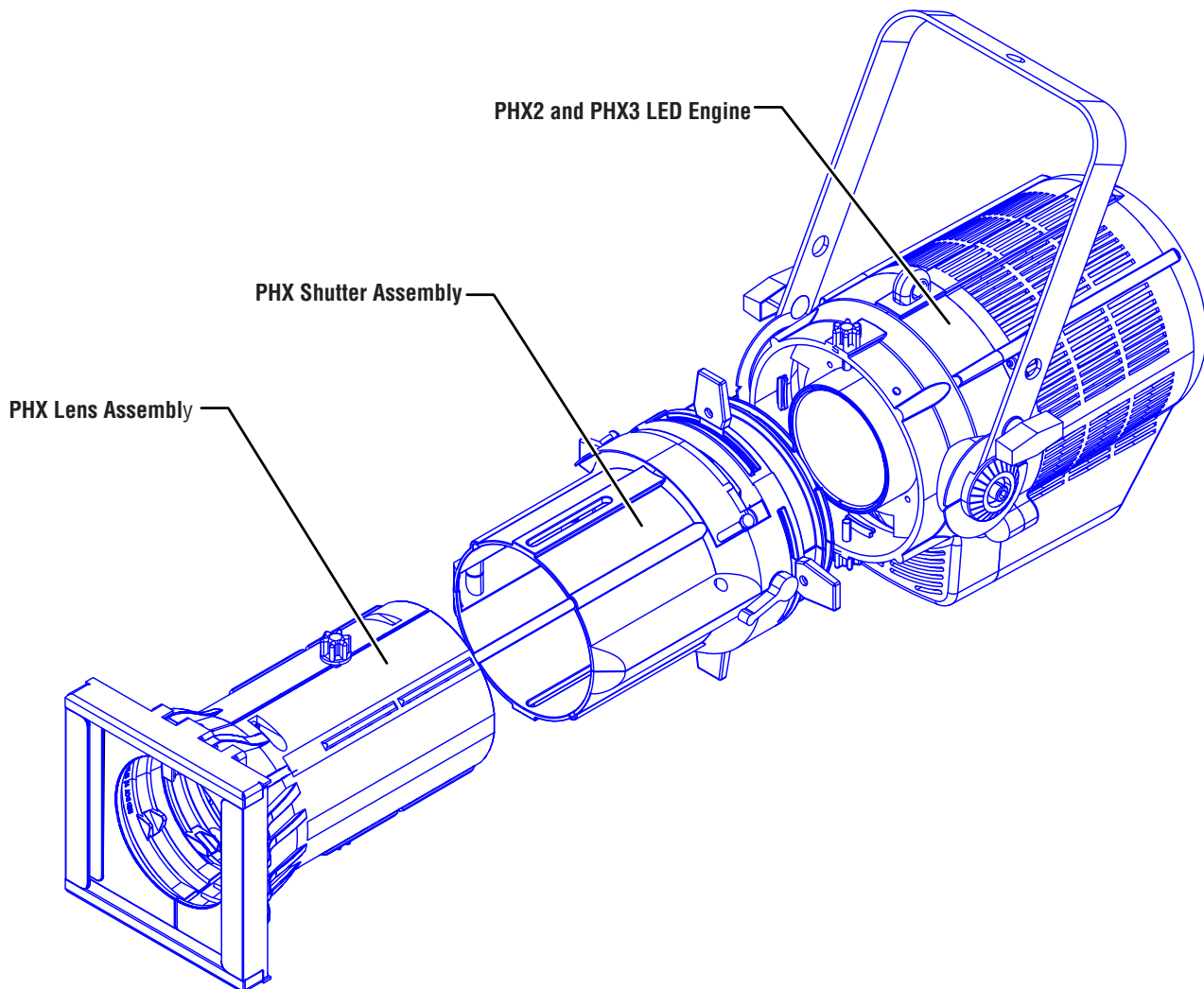


PHX2 and PHX3 Main Assembly

Manual Part# - 49-0228

Rev D

Color Code ● = Object ● = MFG, Number Not For Sale ● = Obsolete ● = Part Number/ Note **BOLD** = Sub Assembly



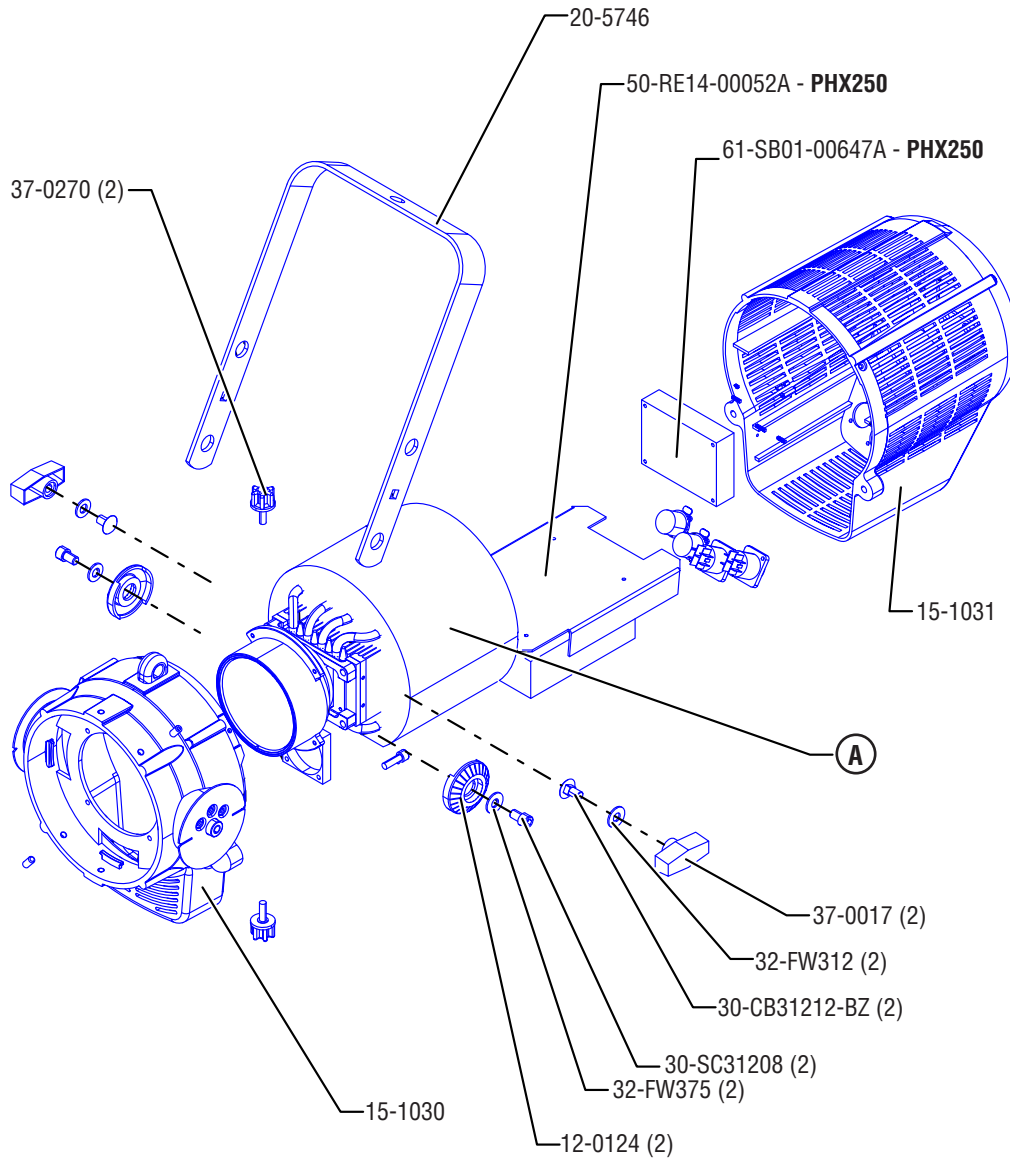
Altman Lighting Co Inc.
1400 East 66th Ave. Denver, CO 80229
Main Number: 303-500-7072
<https://www.altmanlighting.com>

PHX2 and PHX3 LED Engine Assembly

Manual Part# - 49-0228

Rev D

Color Code ● = Object ● = MFG, Number Not For Sale ● = Obsolete ● = Part Number/ Note **BOLD** = Sub Assembly



PHX250 and PHX350 Head Assembly

Part Number	Description	A
71-0940-25-*	PHX2 LED 250W 3K Head	61-LLBS043-8610-01
71-0941-25-*	PHX2 LED 250W 5.6K Head	61-LLBS045-8610-01
71-0942-25-*	PHX2 LED 250W 3K/5.6K Head	61-LLBS046-8610-01
71-0930-25-*	PHX2 LED 250W RGBA	61-LLDS041-8610-01
71-0931-25-*	PHX2 LED 250W RGBW	61-LLCS041-8610-01
71-0970-*	PHX3 LED 340W RGBL Head	

Note: * = When ordering you need to specify color. Use BK for Black and WH for White

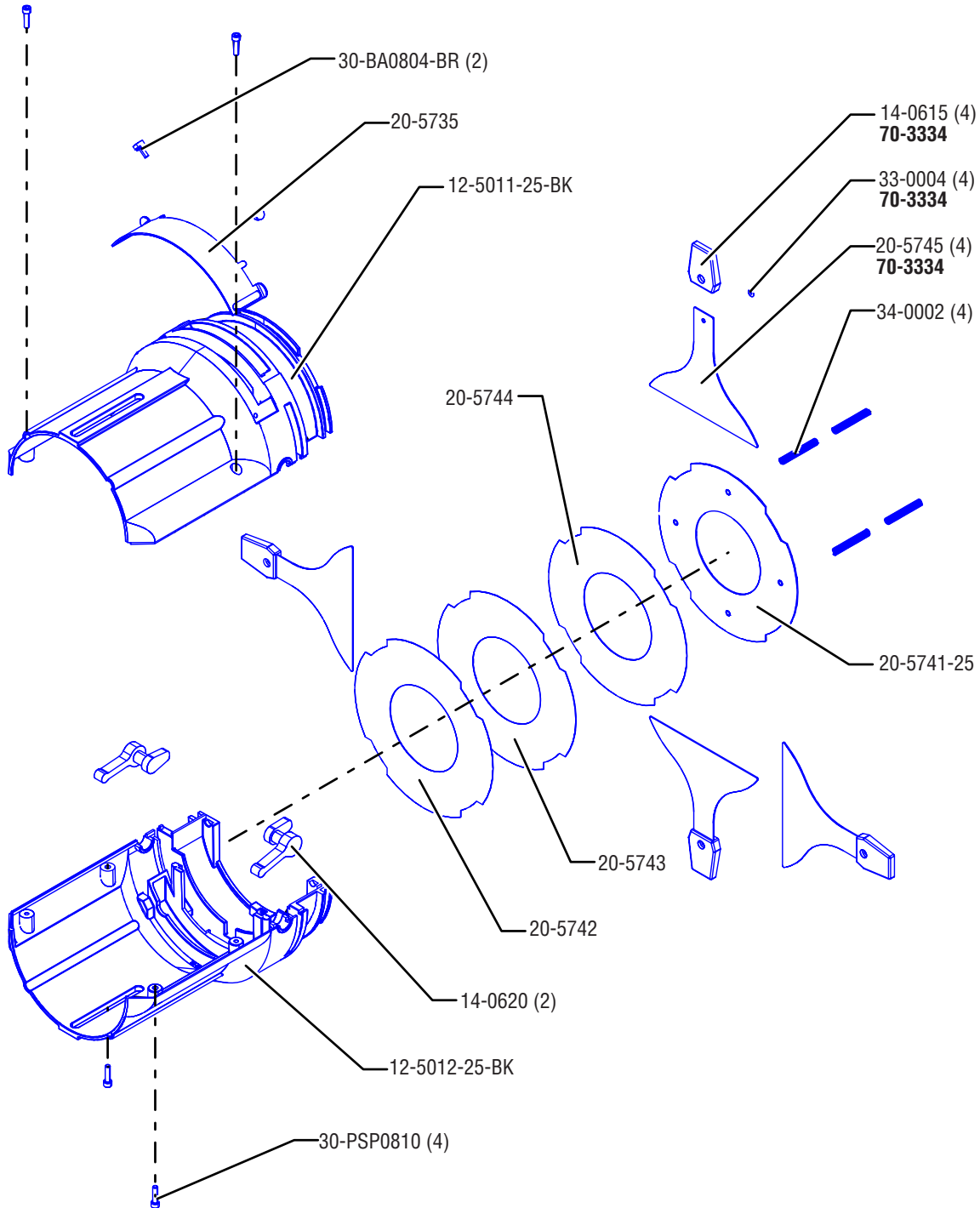


Altman Lighting Co Inc.
 1400 East 66th Ave. Denver, CO 80229
 Main Number: 303-500-7072
<https://www.altmanlighting.com>

PHX Shutter Assembly

Color Code ● = Object ● = MFG, Number Not For Sale ● = Obsolete ● = Part Number/ Note **BOLD** = Sub Assembly

70-3335-* Assembly



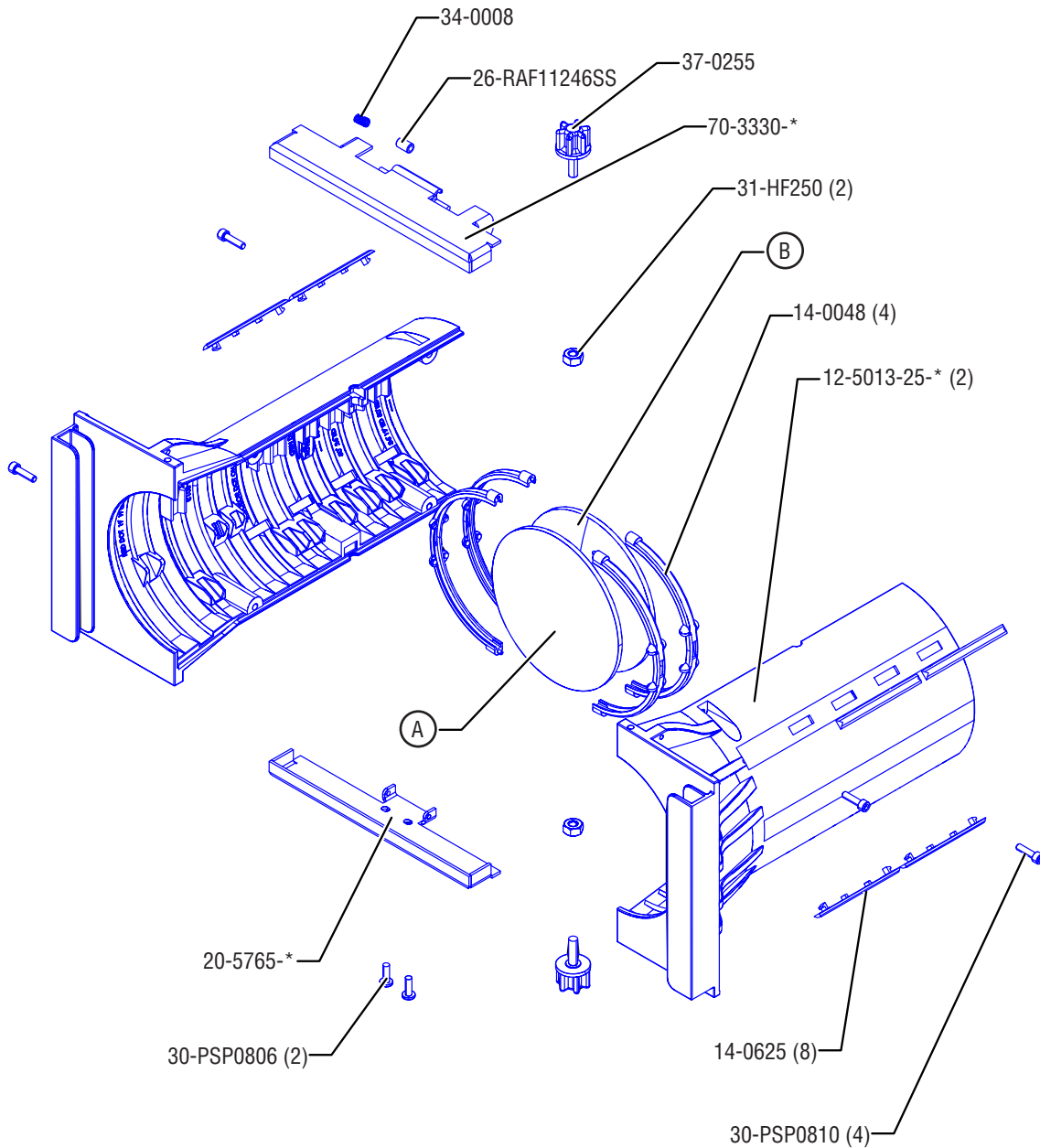
Note: *= WH for White or SL for Silver, Black is standard and no suffix is required



Altman Lighting Co Inc.
 1400 East 66th Ave. Denver, CO 80229
 Main Number: 303-500-7072
<https://www.altmanlighting.com>

PHX Lens Assembly

Color Code ● = Object ● = MFG, Number Not For Sale ● = Obsolete ● = Part Number/ Note **BOLD** = Sub Assembly



PHX Lens Assemblies

Fixture	A	B	Lens Assembly
50°	18-2017	18-2018	71-0801-*
36°	18-2018	18-2019	71-0802-*
26°	18-2020	18-2020	71-0803-*
19°	18-2016	18-2016	71-0804-*

Note: * = When ordering you need to specify color. Use BK for Black and WH for White



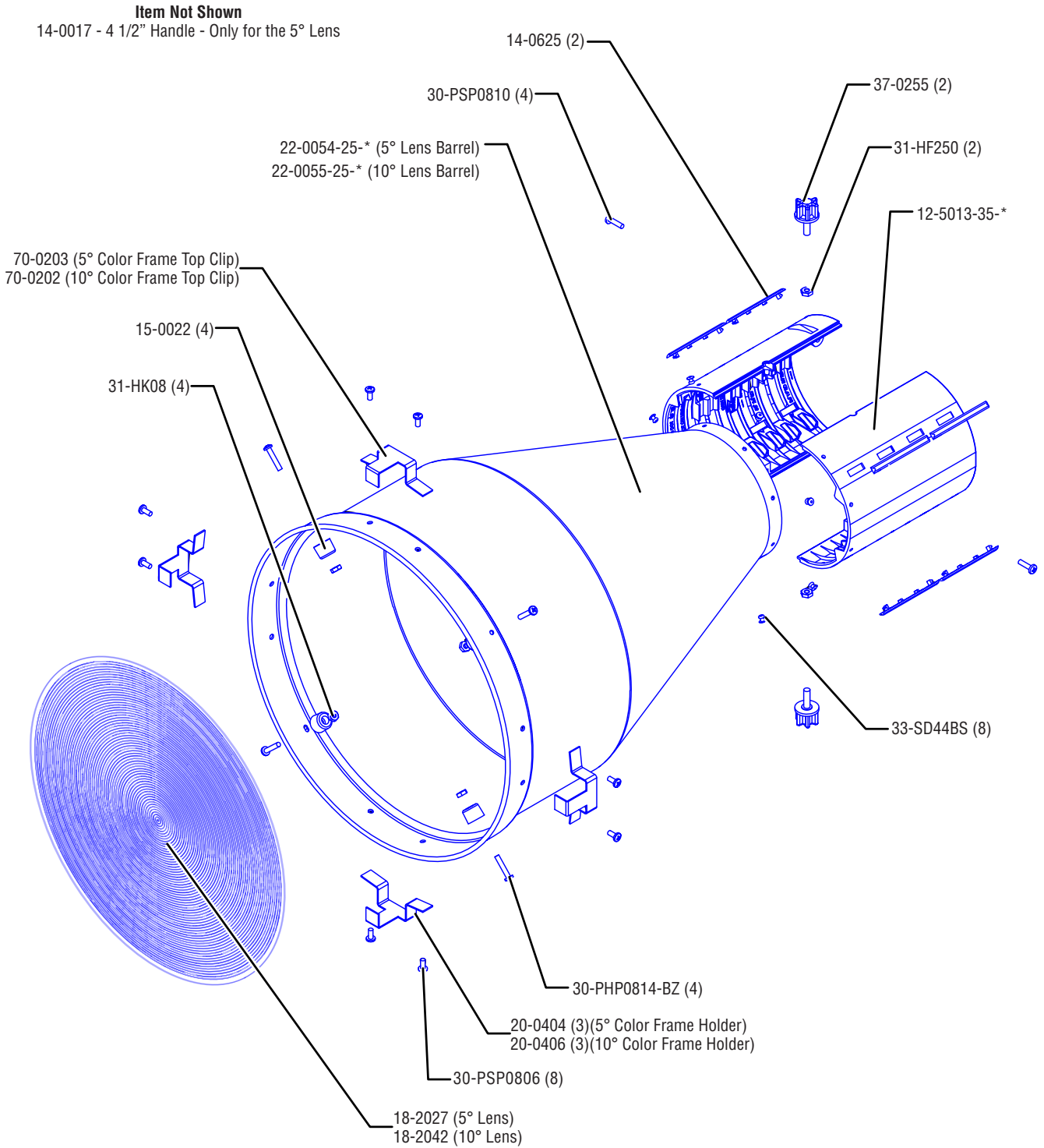
Altman Lighting Co Inc.
 1400 East 66th Ave. Denver, CO 80229
 Main Number: 303-500-7072
<https://www.altmanlighting.com>

PHX 5° and 10° Lens Assembly

Manual Part# - 49-0228

Rev D

Color Code ● = Object ● = MFG, Number Not For Sale ● = Obsolete ● = Part Number/ Note **BOLD** = Sub Assembly



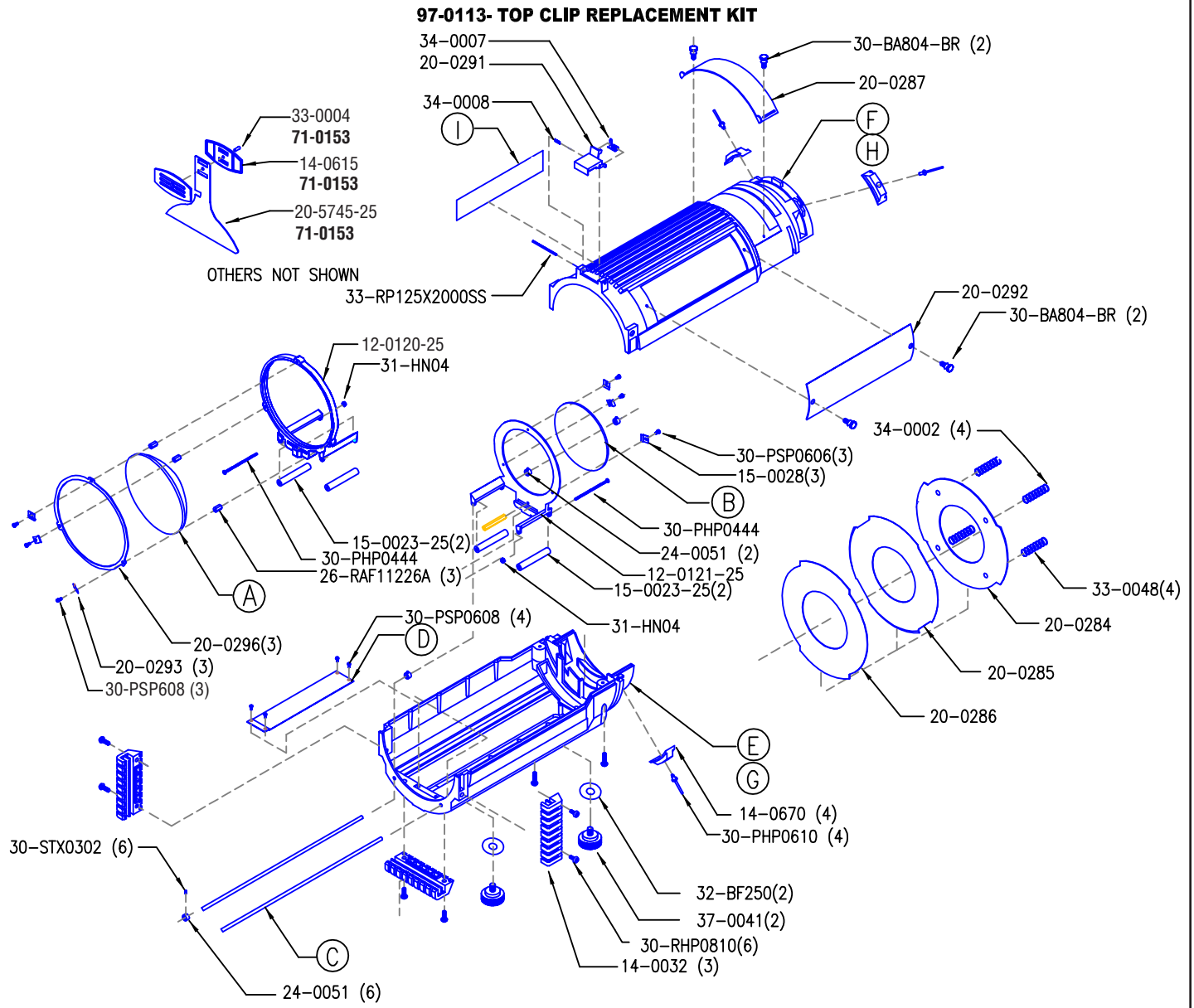
Note: * = When ordering you need to specify color. Use BK for Black and WH for White



Altman Lighting Co Inc.
1400 East 66th Ave. Denver, CO 80229
Main Number: 303-500-7072
<https://www.altmanlighting.com>

PHX 15-35° and 30-55° Zoom Lens Assembly

Color Code ● = Object ● = MFG, Number Not For Sale ● = Obsolete ● = Part Number/ Note **BOLD** = Sub Assembly



Fixture	A	Lens Assembly	B	Lens Assembly	C	D	E	F	G	H	I
15°-35°Zoom	18-2050	71-0175	18-2051	71-0176	06-0302 (2)	20-0294	12-0117	12-0117	70-0066	70-0067	47-0207
30°-55°Zoom	18-2052	71-0177	18-2053	71-0178	06-0301 (2)	20-0295	12-0119	12-0119	70-0069	70-0068	47-0208



Altman Lighting Co Inc.
 1400 East 66th Ave. Denver, CO 80229
 Main Number: 303-500-7072
<https://www.altmanlighting.com>