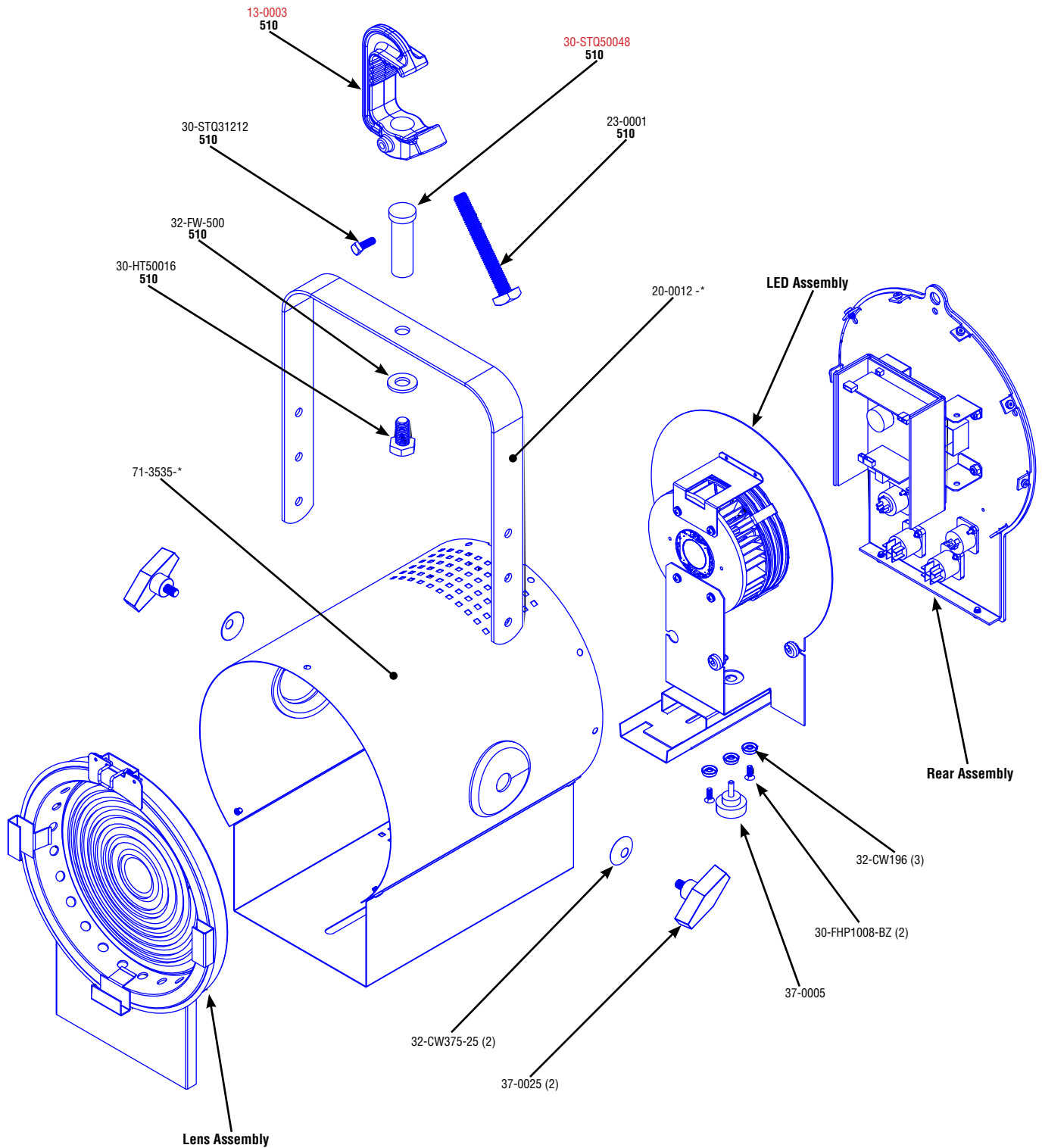


# Pegasus 8 Main Assembly

Manual Part# - 49-0248

Rev A

Color Code ● = Object ● = MFG, Number Not For Sale ● = Obsolete ● = Part Number/ Note **BOLD** = Sub Assembly



\*Specify color at time of ordering by adding the following code for color: BK = Black or WH = White.



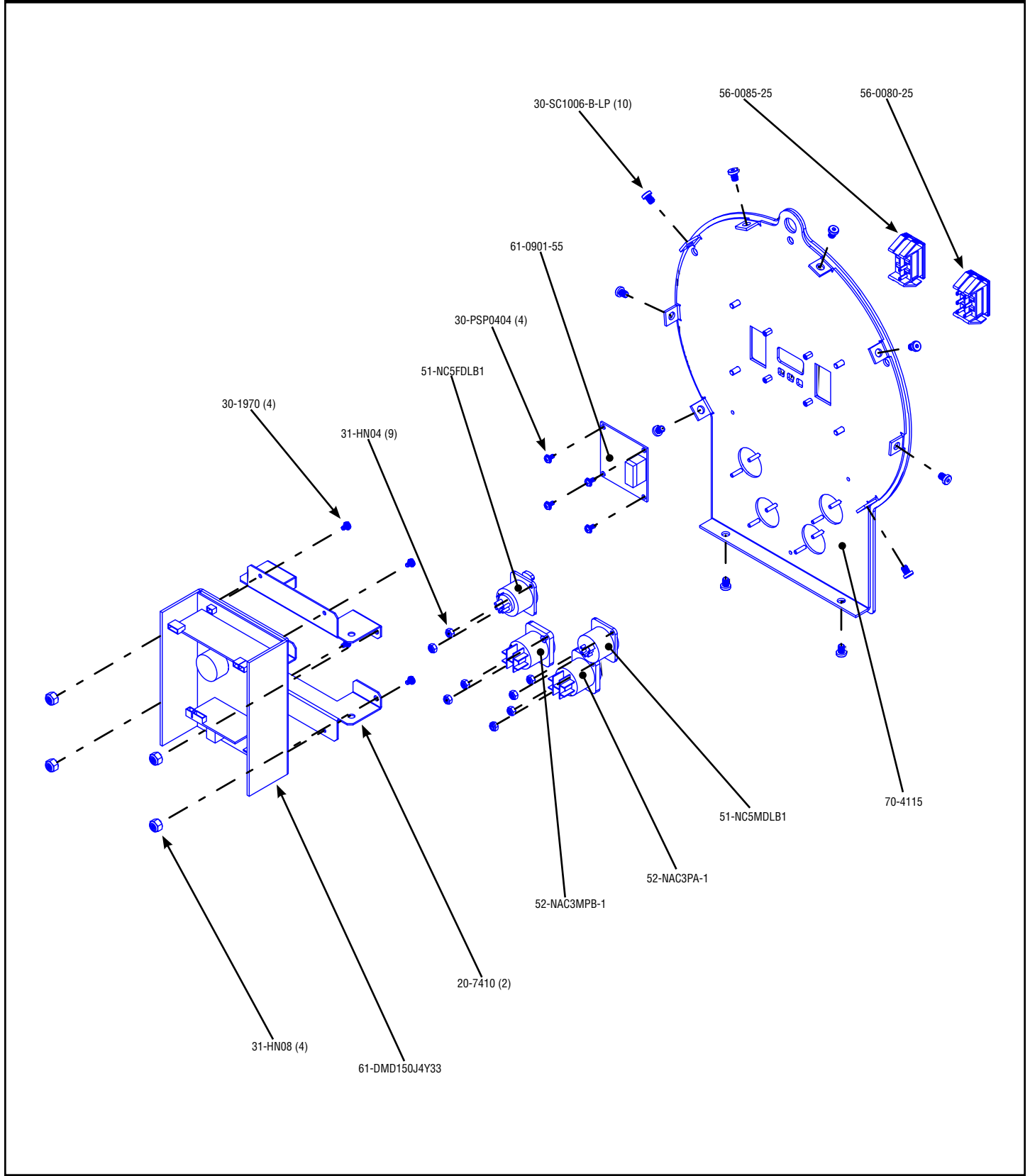
**Altman Lighting Co Inc.**  
1400 East 66th Avenue, Denver, CO 80229 USA  
Ph: (303) 500-7072  
<https://www.altmanlighting.com>

# Pegasus 8 Rear Assembly

Manual Part# - 49-0248

Rev A

Color Code ● = Object ● = MFG, Number Not For Sale ● = Obsolete ● = Part Number/ Note **BOLD** = Sub Assembly



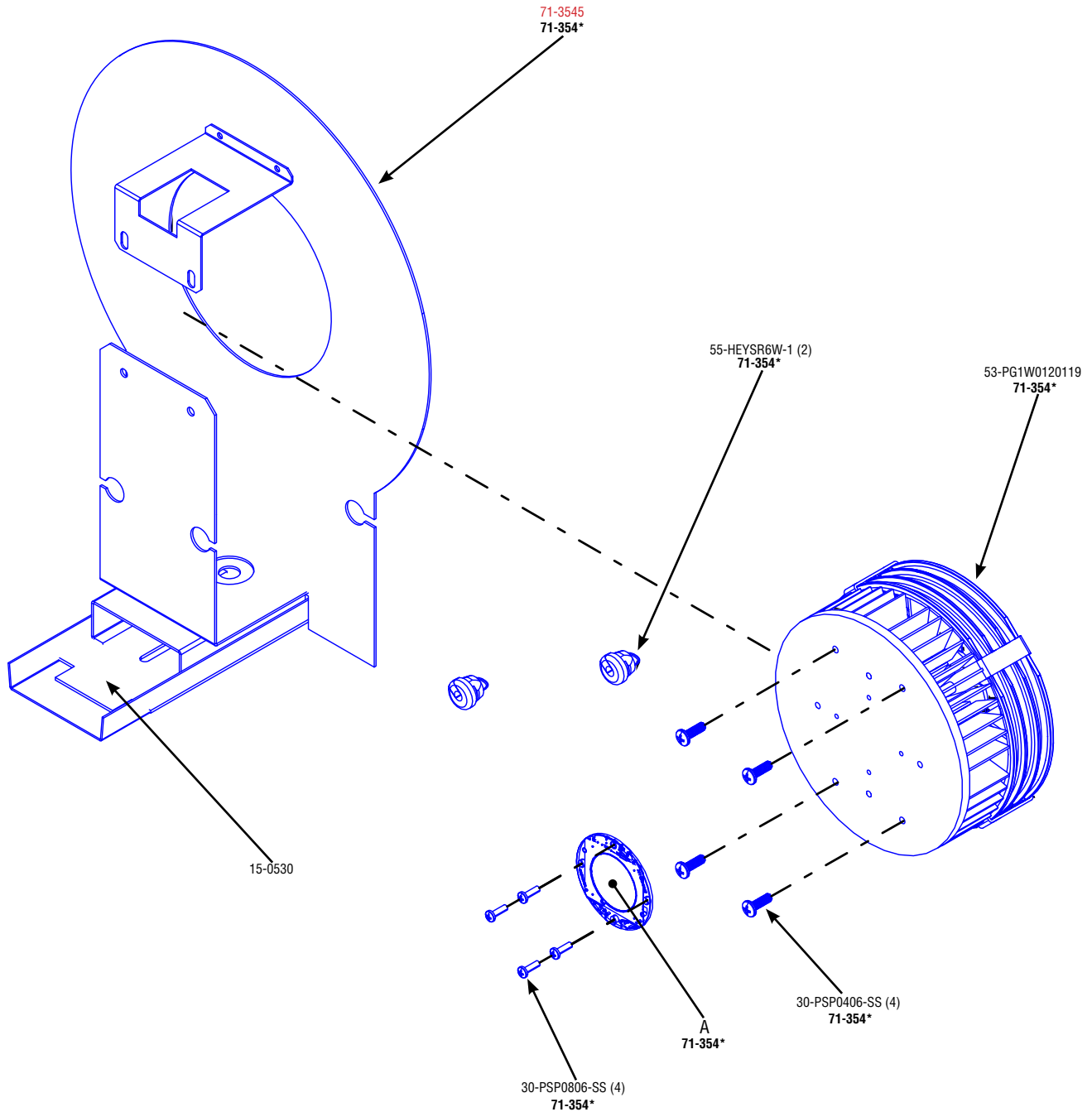
Altman Lighting Co Inc.  
1400 East 66th Avenue, Denver, CO 80229 USA  
Ph: (303) 500-7072  
<https://www.altmanlighting.com>

# Pegasus 8 LED Assembly

Manual Part# - 49-0248

Rev A

Color Code ● = Object ● = MFG, Number Not For Sale ● = Obsolete ● = Part Number/ Note **BOLD** = Sub Assembly



## 71-354\* Assembly

Assembly Part Number	Description	A
71-3546	2700K LED PEG8 Assembly	61-BXRC27G10K0
71-3547	3000K LED PEG8 Assembly	61-BXRC30G10K0
71-3548	4000K LED PEG8 Assembly	61-BXRC40G10K0
71-3549	5000K LED PEG8 Assembly	61-BXRC50G10K0



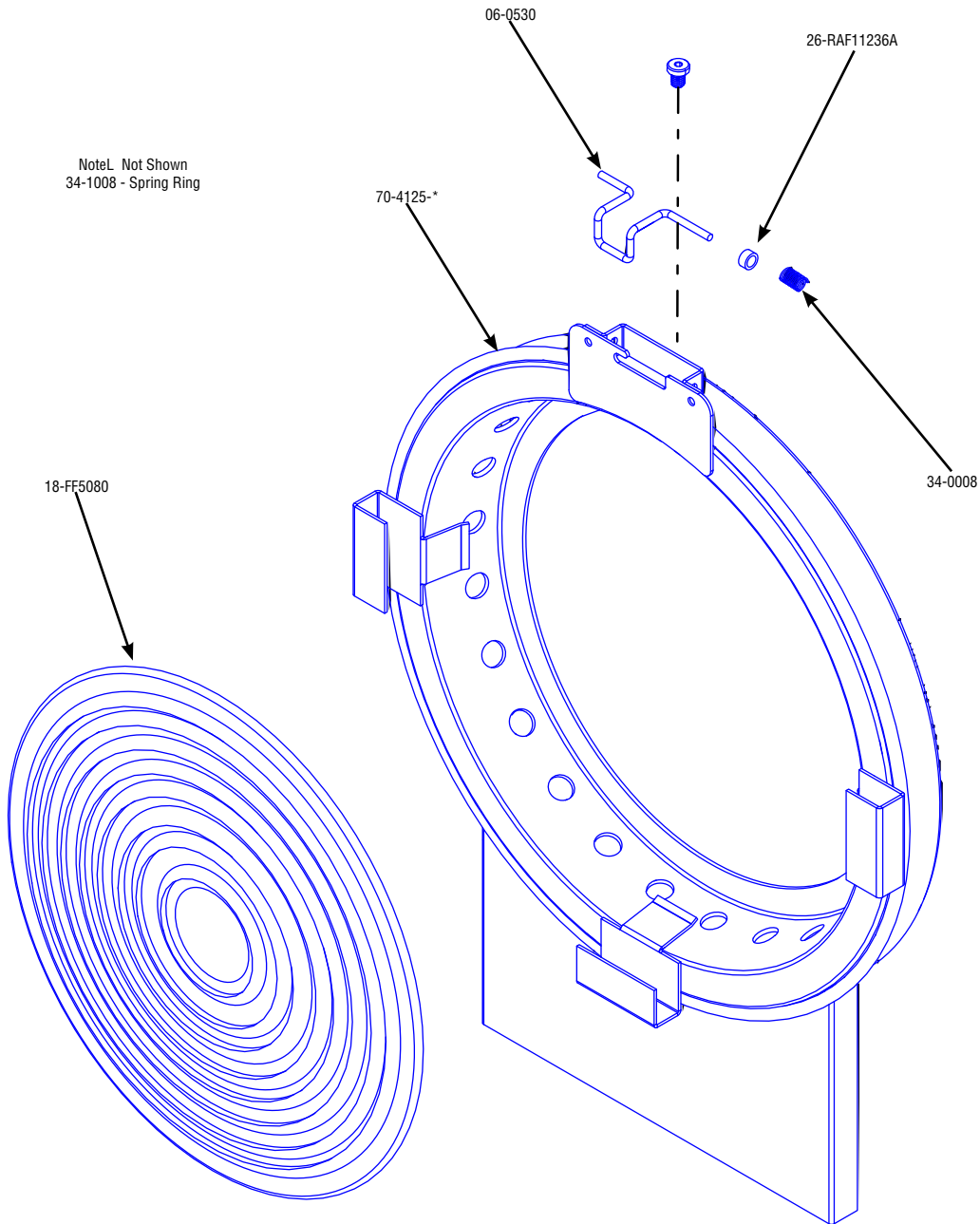
Altman Lighting Co Inc.  
 1400 East 66th Avenue, Denver, CO 80229 USA  
 Ph: (303) 500-7072  
<https://www.altmanlighting.com>

# Pegasus 8 Lens Assembly

Manual Part# - 49-0248

Rev A

Color Code ● = Object ● = MFG, Number Not For Sale ● = Obsolete ● = Part Number/ Note **BOLD** = Sub Assembly



\*Specify color at time of ordering by adding the following code for color: BK = Black or WH = White.



**Altman Lighting Co Inc.**  
1400 East 66th Avenue, Denver, CO 80229 USA  
Ph: (303) 500-7072  
<https://www.altmanlighting.com>