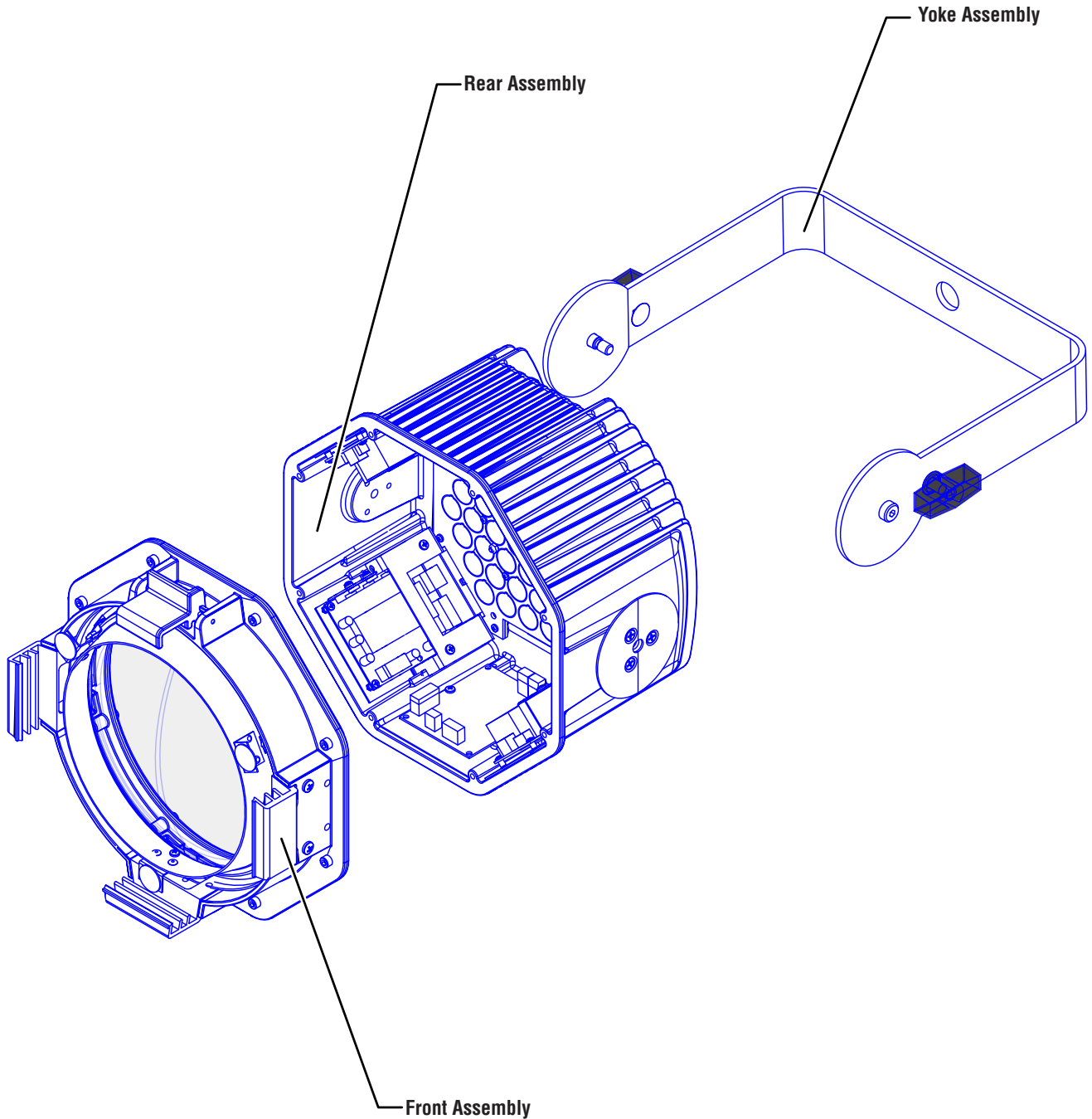


Spectra Par 100 Main Assembly

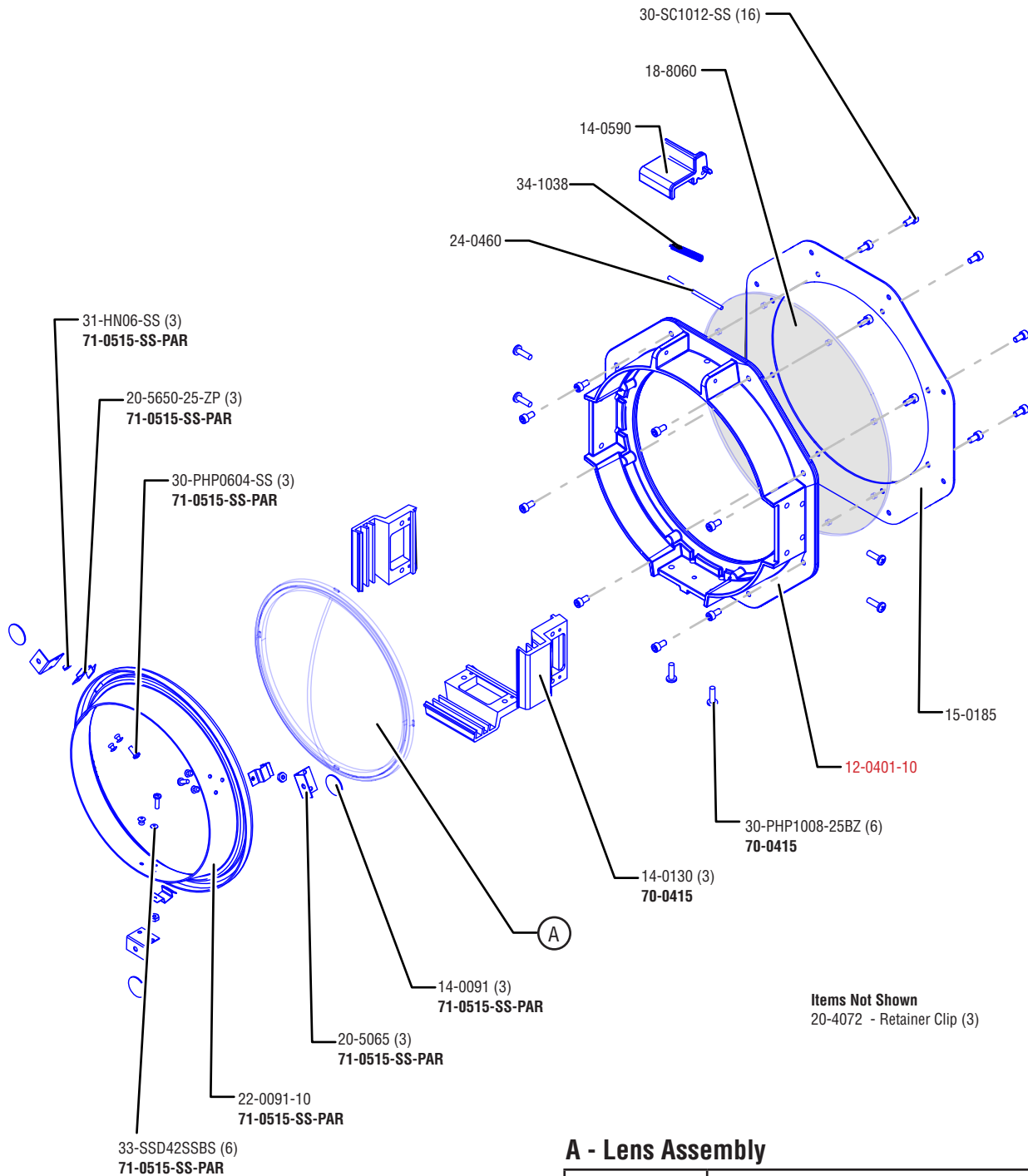
Color Code ● = Object ● = MFG, Number Not For Sale ● = Obsolete ● = Part Number/ Note **BOLD** = Sub Assembly



Altman Lighting Co Inc.
1400 East 66th Avenue, Denver, CO 80229 USA
Ph: (303) 500-7072
<https://www.altmanlighting.com>

Spectra Par 100 Front Assembly

Color Code ● = Object ● = MFG, Number Not For Sale ● = Obsolete ● = Part Number/ Note **BOLD** = Sub Assembly



Items Not Shown
20-4072 - Retainer Clip (3)

A - Lens Assembly

Part Number	A
18-0110	8" Very Narrow Spot Lens
18-0111	8" Narrow Spot Spread Lens
18-0112	8" Medium Flood Spread Lens
18-0113	8" Wide Flood Spread Lens



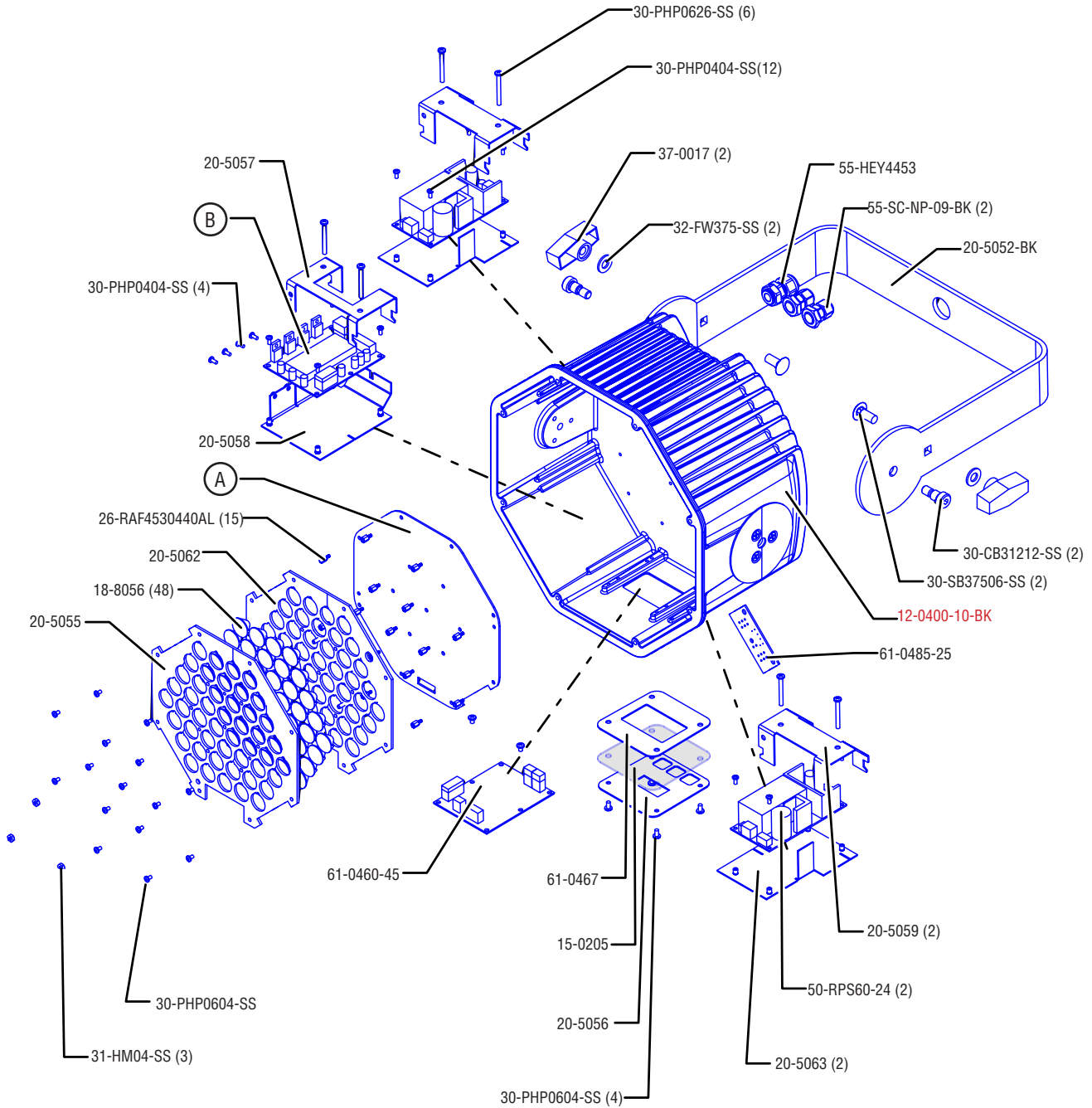
Altman Lighting Co Inc.
1400 East 66th Avenue, Denver, CO 80229 USA
Ph: (303) 500-7072
<https://www.altmanlighting.com>

Spectra Par 100 Rear Assembly

Manual Part# - 49-0273

REV A

Color Code ● = Object ● = MFG, Number Not For Sale ● = Obsolete ● = Part Number/ Note **BOLD** = Sub Assembly



A - LED Assembly

Part Number	A	B
RGBA	61-0505-25	61-0465-25
RGBW	61-0505-30	61-0465-25
3K White	61-0505-36	61-0510
6K White	61-0505-39	61-0510
3K-6K White	61-0505-50	61-0510



Altman Lighting Co Inc.
 1400 East 66th Avenue, Denver, CO 80229 USA
 Ph: (303) 500-7072
<https://www.altmanlighting.com>