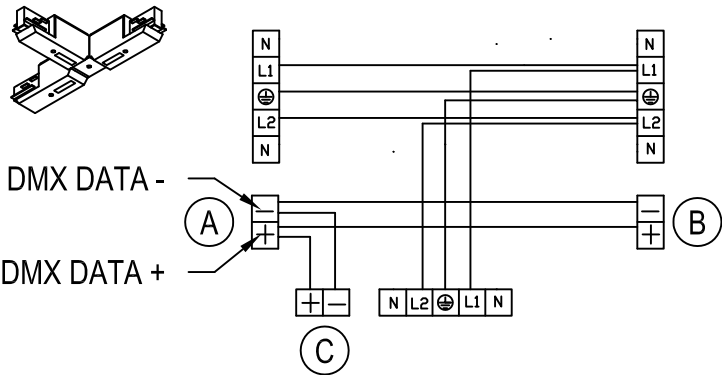
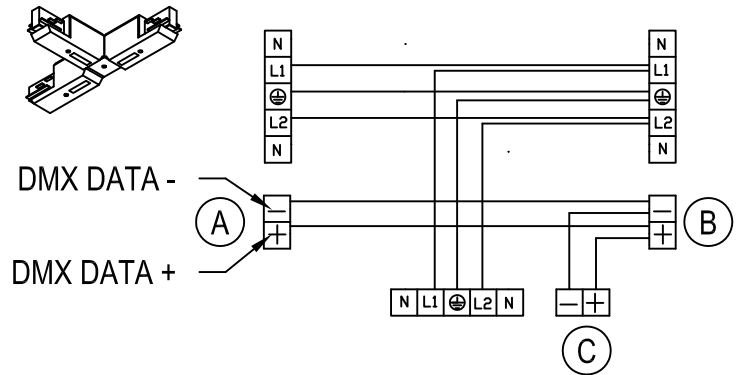


**ASL-99814 T-COUPLER WITH GND CONTACT LEFT**



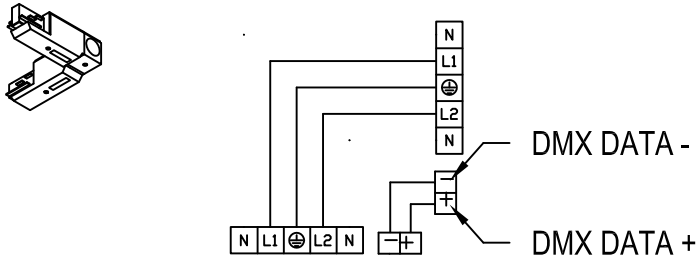
CONNECT DATA EITHER A TO B, A TO C, OR B TO C.  
DO NOT T-TAP OR STAR DMX SIGNAL.

**ASL-99813 T-COUPLER WITH GND CONTACT RIGHT**

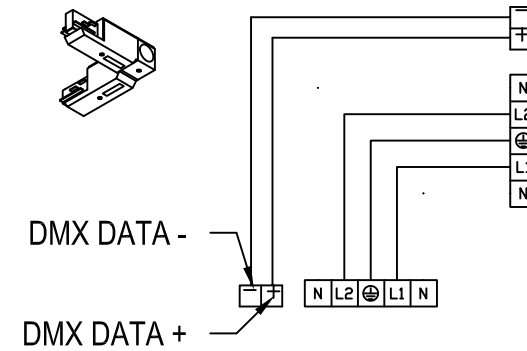


CONNECT DATA EITHER A TO B, A TO C, OR B TO C.  
DO NOT T-TAP OR STAR DMX SIGNAL.

**ASL-99809 L-COUPLER WITH GND CONTACT INSIDE**

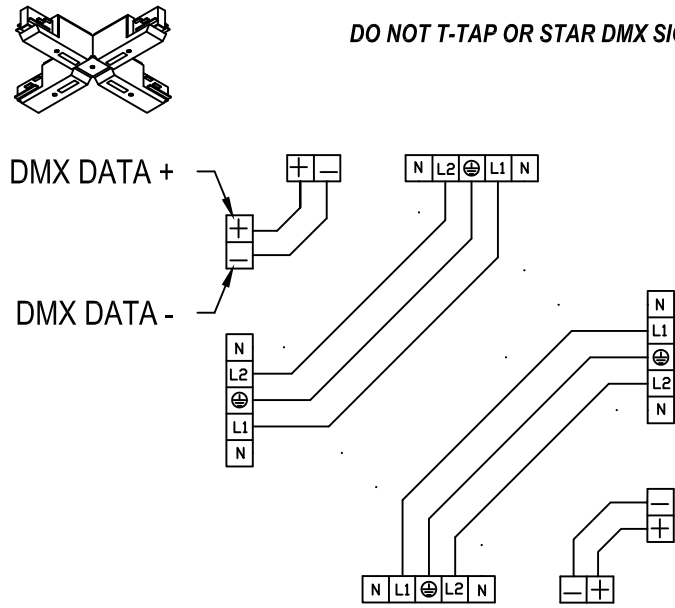


**ASL-99810 L-COUPLER WITH GND CONTACT OUTSIDE**



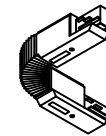
**ASL-99816 X-COUPLER**

DO NOT T-TAP OR STAR DMX SIGNAL.

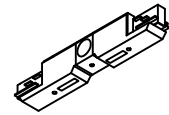


**ASL-98581 FLEXIBLE COUPLER**

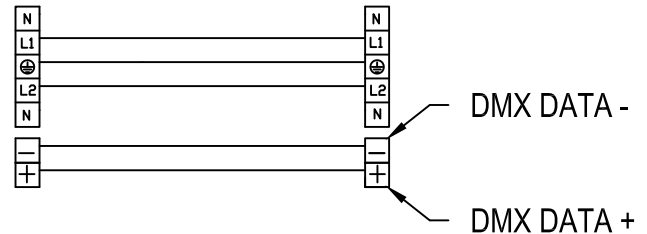
**ASL-99806 STRAIGHT COUPLER WITH POWER FEED**



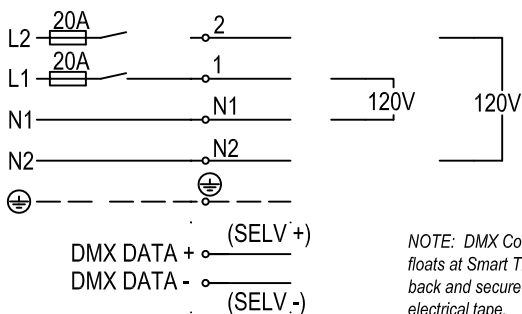
ASL-98581



ASL-98581



**POWER & DATA TERMINATIONS (TYPICAL)**



NOTE: DMX Common floats at Smart Track. Fold back and secure with electrical tape.



**Smart Track®**  
Installation Details

ASL-99XXX 2-CIRC COMPONENTS

SHEET:

WIRING DETAILS

SCALE: NTS

DATE: 03/02/11

REVISION: A

REV. DATE:

DWG. BY: WCD

APPROVAL:

OF: