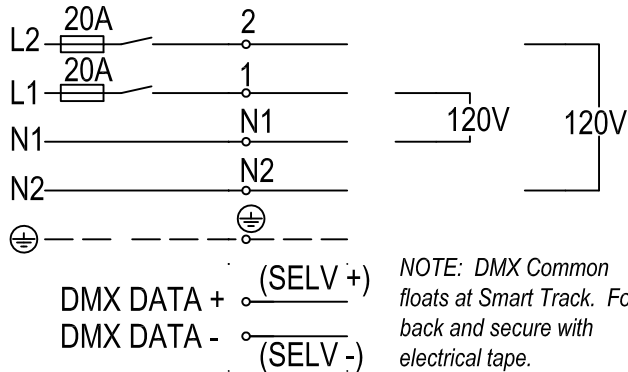
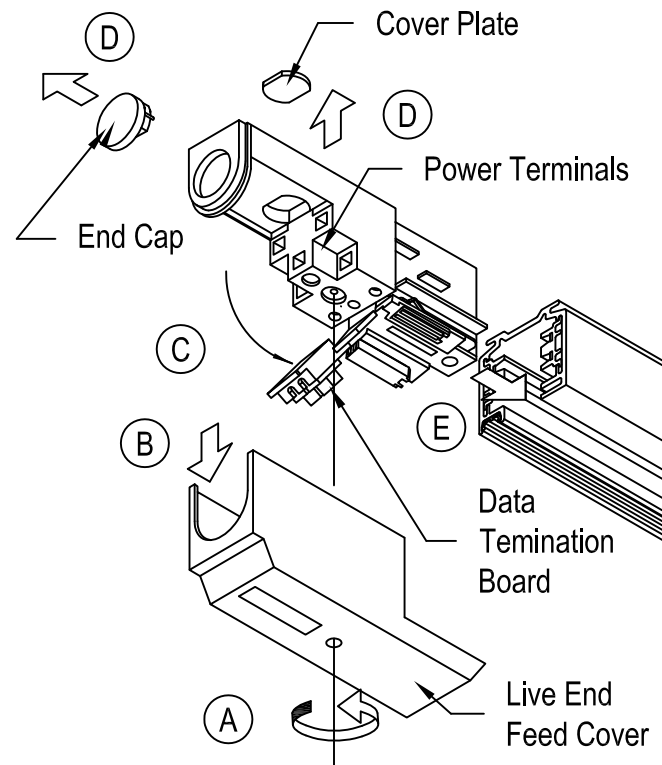
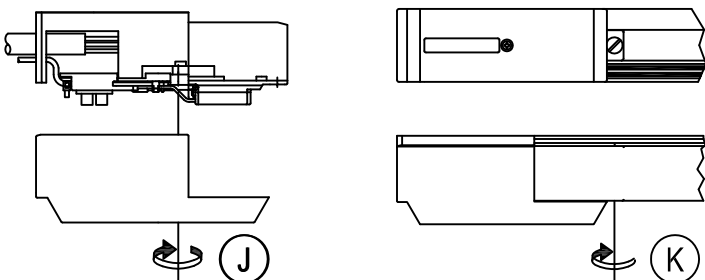
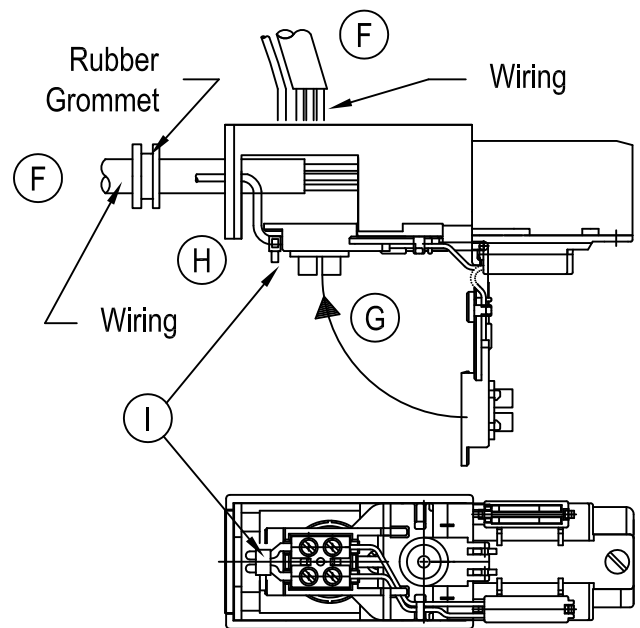


- (A) Remove Live Feed End cover by turning screw counter clockwise and removing.
- (B) Carefully remove Live End Feed End Cover
- (C) Gently swing Data Termination board down to access power Feed Terminations.
- (D) Select Entry for power & data wiring into Feed End via removable *end cap* or top *cover plate*. Remove burrs.
 - a. From the Top: Snap off top cover plate.
 - b. From the Side: Remove end cap and replace with rubber grommet
- (E) Connect Live End Feed and Smart Track section by aligning groves in the track with the flange on the Live End Feed. Push Track Section and Live End Feed together.
- (F) Route power & data wiring into Live End Feed via top or side. Terminate power feed on terminals provided.



- (G) Gently Swing Data Termination board back into place and snap into keepers provided.
- (H) Terminate data wiring on terminals provided.
- (I) Secure Data Termination Board and data cable with a small cable tie.
- (J) Carefully replace Live End Feed cover and secure with screw. Turn screw clockwise to lock cover in place.
- (K) Tighten set screw clockwise to secure track to Live End Feed.



ALTMAN
Lighting
BRINGING IMAGINATION TO LIGHT

Smart Track®
Installation Details

ASL-99803 2-CIRC LIVE END FEED
GROUND CONTACT LEFT

SHEET:

SCALE: NTS

DATE: 03/02/11

REVISION: A

REV. DATE:

DWG. BY: WCD

APPROVAL:

OF: