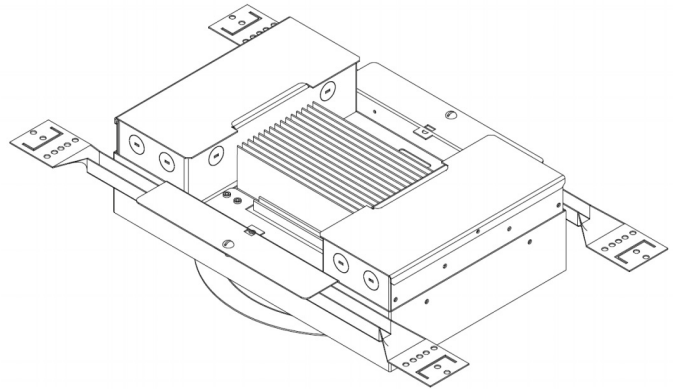


# CHALICE RECESSED 100W LED DOWNLIGHT

The 100W Recessed Chalice from Altman Lighting is a LED architectural downlight designed for permanent installation and energy savings. Offering all of the benefits and longevity of an LED luminaire, changing lamps in your fixtures has now become a thing of the past.

Adding a fixture into a DMX system control system is easy with the simple three-button DMX addressing that is easily accessible from the bottom of the fixture - set it once and enjoy a smoothly integrated and energy efficient illumination solution for your area of choice.

The 100W Recessed Chalice fixture is able to be controlled by your DMX Control console & architectural control system; for facilities without a DMX control system the 100W Recessed Chalice is also available in custom, single color LEDs mains dimmable fixture. Consult factory before ordering.



*Chalice 100W LED Recessed*

## **Product Features:**

- Maximum lumens 3847
- 100W LED driver
- Ten interchangeable lenses
- DMX or Mains Dimmable (note, mains dimmable only available in a single color LED only)
- Push Button DMX Addressing and RDM compatibility
- DMX Pass through
- 8-bit or 16-bit selectable DMX modes
- cETLus listed for indoor applications
- Proudly made in the USA
- Five (5) year and one (1) day warranty
- No cost technical support for the life of your product



# Photometrics

Photometric data taken with all channels at full, and reflects the output of the fixture with each of the lensing systems installed. Comparisons between fixtures should only be made with photometric data that incorporates the lensing system to be used. Photometric data collected using a RGBW LED fixture. Please consult Chalice 100 IES files at [www.altmanlighting.com](http://www.altmanlighting.com).

### Performance Per Lens

20° Conical Lens (SS-8CDL-20) 3847 Lumens				
Throw Distance (d)	10' / 3m	15' / 4.6m	20' / 6.1m	25' / 7.6m
Field Size (HxV)	5.2' x 4.7' 1.6m x 1.4m	7.8' x 7.5' 2.4m x 2.3m	10.4' x 9.4' 3.2m x 2.9m	13.0' x 11.8' 4.0m x 3.6m
Illuminance (fc)	234.85	104.38	58.71	37.58
Illuminance (lux)	2526.9	1123.12	631.71	404.36

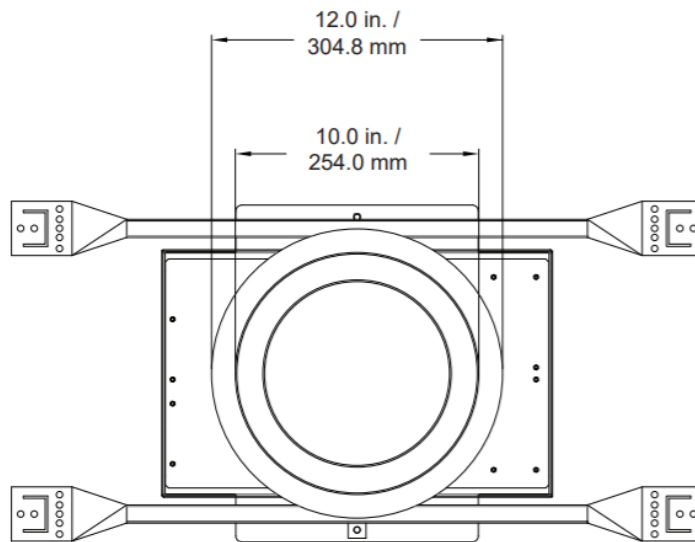
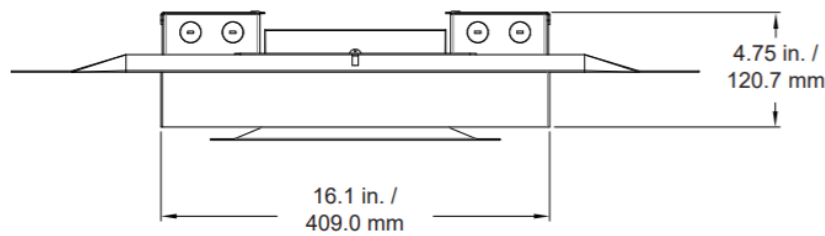
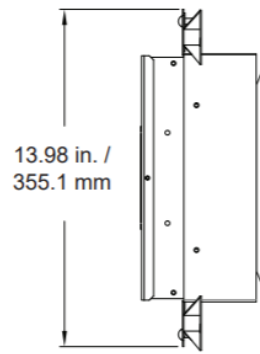
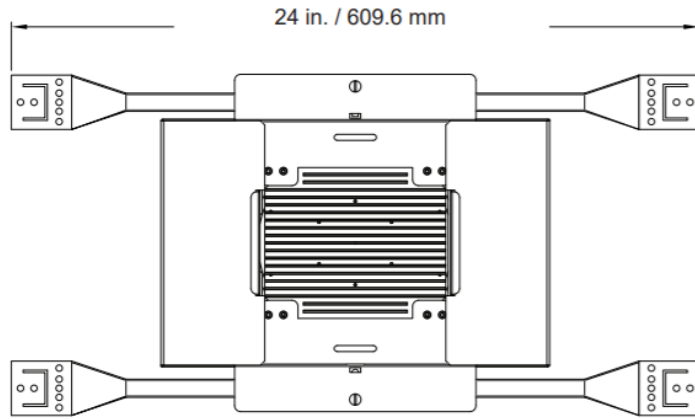
30° Conical Lens (SS-8CDL-30) 3280 Lumens				
Throw Distance (d)	10' / 3m	15' / 4.6m	20' / 6.1m	25' / 7.6m
Field Size (HxV)	6.5' x 6.5' 2.0m x 2.0m	10.0' x 10.0' 3.0m x 3.0m	16.0' x 16.0' 5.0m x 5.0m	23.0' x 23.0' 7.0m x 7.0m
Illuminance (fc)	95.86	46.61	23.97	15.34
Illuminance (lux)	1031	501.52	257.9	165

40° Conical Lens (SS-8CDL-40) 2806 Lumens				
Throw Distance (d)	10' / 3m	15' / 4.6m	20' / 6.1m	25' / 7.6m
Field Size (HxV)	9.5' x 9.6' 2.9m x 2.9m	14.3' x 14.3' 4.4m x 4.4m	19.0' x 19.0' 5.8m x 5.8m	23.8' x 24.0' 7.2m x 7.3m
Illuminance (fc)	37.13	16.5	9.28	5.94
Illuminance (lux)	399.5	177.54	99.8	61.7

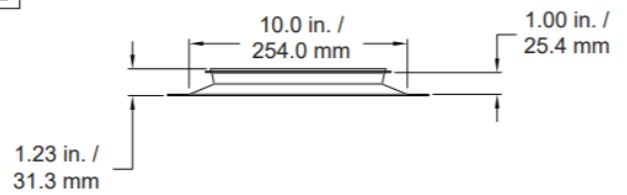
60° Conical Lens (SS-8CDL-60) 3420 Lumens				
Throw Distance (d)	10' / 3m	15' / 4.6m	20' / 6.1m	25' / 7.6m
Field Size (HxV)	11.3' x 12.0' 3.4m x 3.7m	17.0' x 18.0' 5.2m x 5.5m	23.0' x 24.0' 7.0m x 7.3m	28.0' x 30.0' 8.5m x 9.0m
Illuminance (fc)	30	13	7.5	5
Illuminance (lux)	323	140	81	54

P95 Diffusion Lens (SS-8CDL-P95) 3874 Lumens				
Throw Distance (d)	10' / 3m	15' / 4.6m	20' / 6.1m	25' / 7.6m
Field Size (HxV)	3.8' x 3.8' 1.2m x 1.2m	5.7' x 5.7' 1.7m x 1.7m	7.6' x 7.6' 2.3m x 2.3m	9.5' x 9.5' 2.9m x 2.9m
Illuminance (fc)	235	104	59	38
Illuminance (lux)	2,529	1,119	635	409

# Product Dimensions



**NOTE:** Ceiling Cut Opening: 10-inches (minimum) to 11.75-inches (maximum).



## Specifications

<b>Materials:</b>	Corrosion-resistant materials and hardware
<b>Control:</b>	Mains dimmable or DMX/RDM
<b>Light Engine:</b>	<i>DMX Models:</i> 100W LED Array - Available in 3000K to 6000K Tunable White, RGBA, RGBW, Dim to Warm and custom arrays (consult factory before ordering). <i>Mains Dimmable Models:</i> 100W LED Array - Available in with single color, custom arrays only. Consult factory before ordering.
<b>Lumens:</b>	Maximum lumens 3847
<b>Rated LED Life:</b>	Array rating >50,000 hours to L70
<b>Input Voltage:</b>	100-240 VAC 50/60 Hz
<b>Current Draw:</b>	0.83A @120VAC, 0.42A @ 240VAC
<b>Watts:</b>	100
<b>LED Engine Cooling:</b>	Convection, passive
<b>Environment:</b>	0 - 40°C (32 - 104°F) with humidity of 5-95% non-condensing)
<b>Weight:</b>	12 lbs. (5.44 kgs.)
<b>Compliance:</b>	cETLus listed for indoor use
<b>Warranty:</b>	Five (5) years and One (1) day
<b>Support:</b>	Supported Forever - free phone and online tech support for the life of your product.

*Please note that noise levels on mains dim luminaires are subject to the dimming/switching systems in which they are wired. Electrical systems displaying harmonics may increase the audible noise output from the luminaire.*

**IMPORTANT!** For fixtures that are mains dim controlled, do not connect more than four (4) luminaires to the same dimmer. Connecting more than four luminaires to the same dimmer will result in undesired low-end dimmer response. Note: dimmer must be sized appropriately to handle the luminaire load.



## Ordering Information

### CDR100-(LED ARRAY)-(TRIM COLOR)-(CONTROL)-(VOLTAGE)

<b>Model</b>	CDR100 Chalice Recessed LED Luminaire
<b>LED Array:</b>	(RGBA), (RGBW), Tunable White (3K6K), Dim to Warm - 3/4:3k 1/4:Amber (DTW), or Custom (C)*
<b>Trim Color:</b>	Black (B) or White (W) or Custom (C)*
<b>Control:</b>	DMX Control (D) or Mains Dimmable (M)**
<b>Voltage:</b>	120 (120VAC), 220 (220VAC)

#### NOTES:

\*Consult factory before ordering.

\*\*Mains Dimmable models are not available for RGBA, RGBW, or tunable white LED fixtures. Only available with a single color, custom LED array (for custom LED arrays, consult factory before ordering).

## Accessories

<b>18-0110</b>	Very Narrow Spot Lens
<b>18-0111</b>	Narrow Flood Spread Lens
<b>18-0112</b>	Medium Flood Spread Lens
<b>18-0113</b>	Wide Flood Spread Lens
<b>18-0114</b>	Extra Wide Flood Spread Lens
<b>SS-8CDL-20</b>	20° Beam Angle Lens
<b>SS-8CDL-30</b>	30° Beam Angle Lens
<b>SS-8CDL-40</b>	40° Beam Angle Lens
<b>SS-8CDL-60</b>	60° Beam Angle Lens
<b>SS-8CDL-P95</b>	P95 Diffusion Lens
<b>SS-8CDL-DMXTERM</b>	Chalice DMX 120-Ohm Terminator

*NOTE: When using diffusers (20°, 30°, 40°, 60° and P95) please allow for a minimum throw distance of 10'-0" (approximately 3m) for color uniformity.*