

SPECTRA CYC 50W LED

The Spectra Cyc 50 is a 50 Watt cyclorama/wall wash luminaire utilizing high output LED emitters. Designed for theatrical and architectural applications, the Spectra Cyc 50 blends color via a patented LED lens and reflector combination which reduces pixelization from direct view.

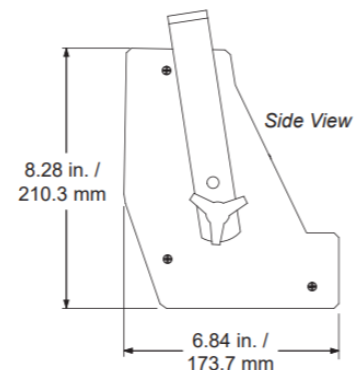
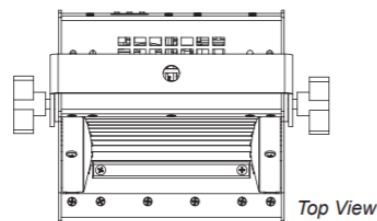
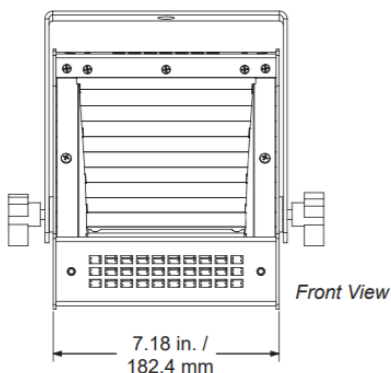
Designed for use on 4-foot centers, individual units can be linked side by side for greater saturation of light. The Spectra Cyc 50 is compatible with DMX / RDM protocols, and comes with a library of preprogrammed single colors and various color mixes. Units can be utilized for both floor and sky-cyc applications.



Spectra Cyc 50

Product Features:

- Available in 5 Standard LED color configurations:
 RGBA, RGBW, 3K White, 6K White, or 3K-6K Tunable White
Please Note: The RGBW version utilizes 3K emitters for the white channel. Variants will be considered custom.
- Max Lumens 1661 RGBA
- Asymmetrical reflector designed for broad, even distribution
- Patented LED blending lens
- On-board multi-voltage power supply 100-240VAC.
- Feed through power and data capabilities using PowerCON and 5-pin XLR connectors.
- Compatible with DMX and RDM protocols
- Push button addressing
- Preprogrammed modes for fixed colors, timed color changes and strobes.
- Integrated carrying handle
- Weight: 7 lbs. / 3.2 kg (approximate)
- Convection cooled, no fans
- cETLus listed for indoor use and CE marked
- Made in the USA
- Five (5) year and one (1) day warranty
- No cost technical support for the life of your product



Specifications

Materials:	Corrosion-resistant materials and hardware
Control:	DMX (Fully RDM Compliant)
Light Engine	RGBA, RGBW, 3000K, 6000K, Tunable 3K-6K
Lumens	1661 RGBA
Rated LED Life:	Array rating >50,000 hours to L70
Power:	50 Watts
Voltage:	120-240VAC
Cooling:	Passive, convection
Environment:	0 to 40 degrees C (32 to 104 degrees F.) / 5%-95% Non condensing
AC out:	Flush mount PowerCON for feed through power to other Spectra Cyc units only.
Color:	Black or White. Custom colors available - consult factory before ordering.
Weight:	7lbs. (3.2kgs.)
Compliance:	cETLus listed, CE marked
Warranty:	Five (5) years and One (1) day
Support:	Supported Forever - free phone and online tech support for the life of your product.

Notes:

Spectra Cyc 50 includes a kickstand yoke for bar hanging or floor placement as well as c-clamp and safety chain.

Ordering Information

SSCYC50-(LED Array)-(Body Color)

Model:	SSCYC50 Spectra Cyc 50
LED Array:	RGBA, RGBW, 3000K, 6000K, Tunable 3K-6K
Body Color:	Black (B) or White (W) or Custom (C)**

Notes:

* Consult factory for custom LED array. The RGBW version utilizes 3K emitters for the white channel. Variants will be considered custom.

** Black (B) or White (W) or Custom (C). Consult factory for custom colors

Optional Accessories

SC-36-BK	Safety Cable
510	Malleable Iron Pipe C-Clamp
FT	Black Floor Trunnion, Pair
SS-CYC50-YOKE**	Spectra Cyc 50 Yoke with Hardware for 1 Fixture (includes 510 C-clamp.)