

RECESSED CHALICE 70W LED DOWNLIGHT

The Chalice 70 recessed LED downlight follows the Altman Lighting tradition of lighting quality. Designed specifically for the demands of theaters, churches and public venues, the Chalice 70 is a 70 Watt White LED recessed fixture that is an energy-efficient solution to general lighting needs.

The Chalice 70 addresses and alleviates the typical maintenance routines of changing lamps and ballasts in difficult-to-access locations. The Chalice 70 uses a single-point source for optimal beam control, and offers a variety of reflector options for ceiling heights from 15 to 50 feet. Its powerful and clean non-pixelated and non-granulated output blends to seamless coverage in the most elegant setting.

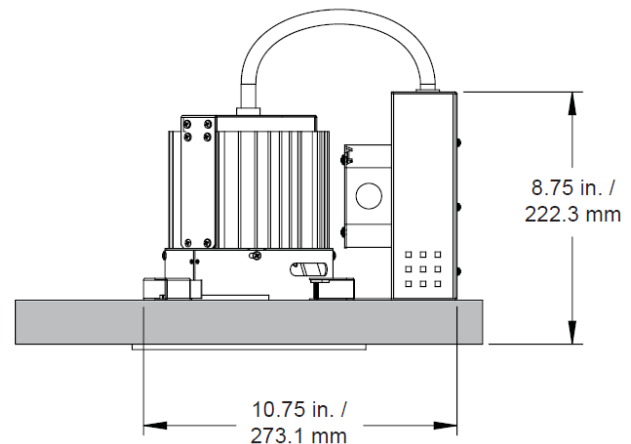
Extremely smooth dimming reproduces the comfortable feel of traditional incandescent sources, at a fraction of the power consumption. Available in either Mains Dimming or DMX control allows each fixture to be controlled independently or in groups, from an architectural control system and/or directly from a theatrical control console.

Product Features:

- 70W LED driver
- 7 interchangeable reflectors
- CCT options 2700K, 3000K, 4000K, or 5000K
- Available in both new construction, remodeler, and sloped ceiling versions
- DMX or Mains Dimmable
- Push Button DMX Addressing and RDM compatibility
- DMX Pass through
- Single channel high resolution DMX
- Selectable actions on loss of control signal (for DMX models only)
- Available in white, black or custom colors (trim ring)
- cETLus listed and CE marked for indoor applications
- Proudly made in the USA
- Five (5) year and one (1) day warranty
- No cost technical support for the life of your product



Recessed Chalice 70 DMX Version



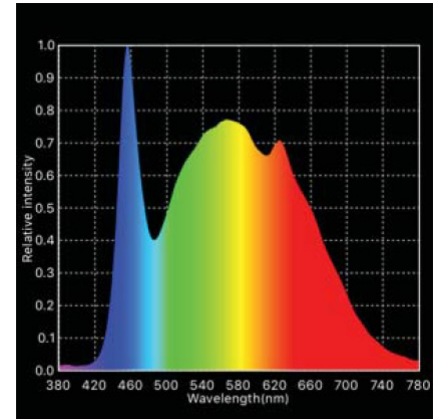
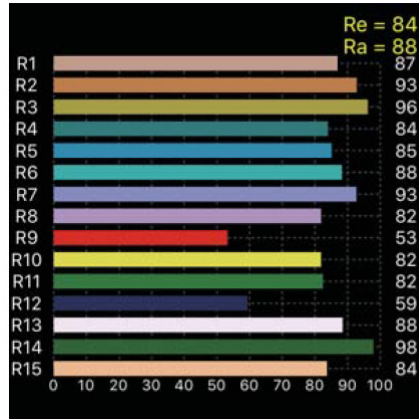
Recessed Chalice 70 Mains Dim Version



Photometrics

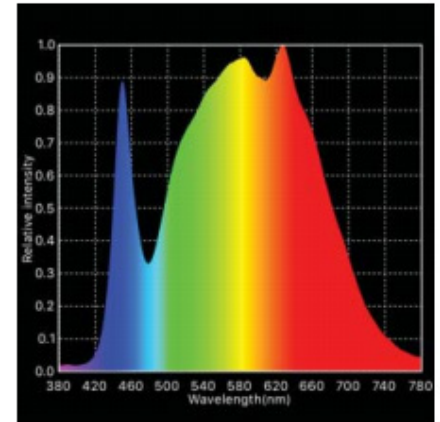
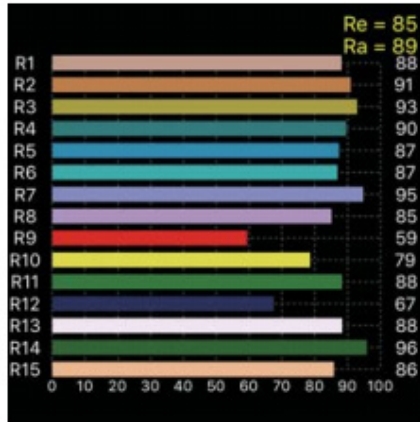
**CHALICE CDR70
PHOTOMETRIC SCORE
CARD – 5000K**

CCT	4692
DUV	.0056
CRI	90
CQS	87
RE(R1-15)	84
TLCI Qa)	89.8
TM-30-15 rf	85
TM-30-15 rg	94



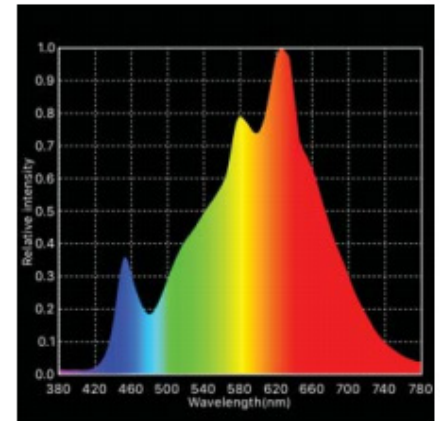
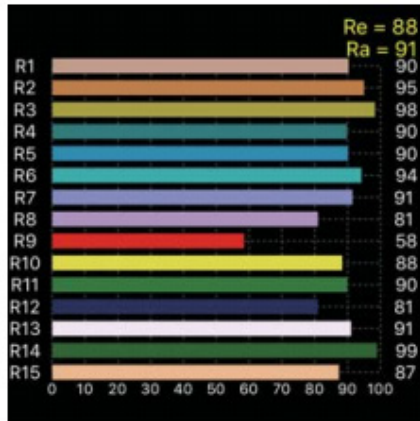
**CHALICE CDR70
PHOTOMETRIC SCORE
CARD – 4000K**

CCT	3927
DUV	.0039
CRI	90
CQS	89
RE(R1-15)	85
TLCI Qa)	91.6
TM-30-15 rf	89
TM-30-15 rg	98



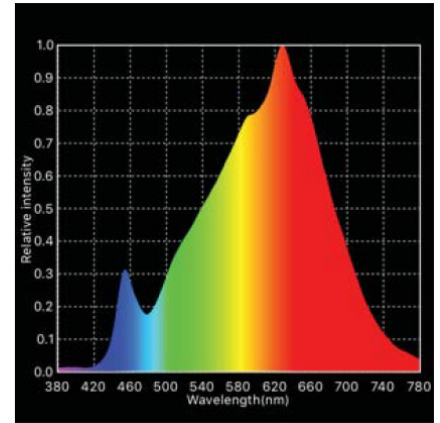
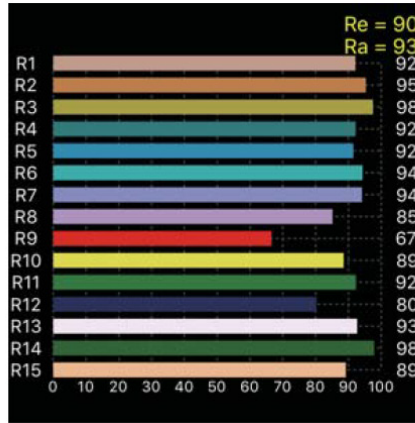
**CHALICE CDR70
PHOTOMETRIC SCORE
CARD – 3000K**

CCT	2826
DUV	-.0033
CRI	91
CQS	91
RE(R1-15)	88
TLCI Qa)	89.3
TM-30-15 rf	90
TM-30-15 rg	99



Photometrics

CHALICE CDR70 PHOTOMETRIC SCORE CARD – 2700K	
CCT	2750
DUV	.0018
CRI	93
CQS	93
RE(R1-15)	90
TLCI Qa)	94.2
TM-30-15 rf	91
TM-30-15 rg	98



Photometrics

Photometric data taken with CDR70 fixture at the shown CCT values. Some Clipping of the beam will occur with the use of the 91 degree Extra Wide Flood Reflector please see Chalice 70 IES files on the Altman Lighting web site for additional beam characteristics.

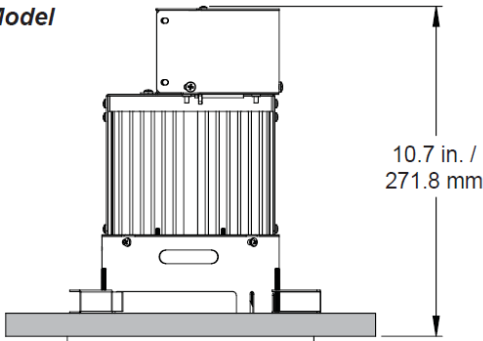
CCT	Reflector Type	Lumen Output	10'-0" (3.048m)	20'-0" (6.096m)	30'-0" (9.144m)	40'-0" (12.192m)	50'-0" (15.240m)	
5000K	20 Degree Narrow Spot	7016.0	554.3	138.6	61.6	8.7	3.8	fc
			5964.3	1491.1	662.7	93.2	41.4	lux
	29 Degree Spot	6204.0	198.2	49.6	22.0	3.1	1.4	fc
			2132.6	533.2	237.0	33.3	14.8	lux
	39 Degree Narrow Flood	6526.0	116.6	29.2	13.0	1.8	0.8	fc
			1254.6	313.7	139.4	19.6	8.7	lux
	46 Degree Medium Flood	6193.0	100.2	25.1	11.1	1.6	0.7	fc
1078.2			269.5	119.8	16.8	7.5	lux	
51 Degree Wide Flood	6382.0	76.4	19.1	8.5	1.2	0.5	fc	
		822.1	205.5	91.3	12.8	5.7	lux	
64 Degree Very Wide Flood	6429.0	58.3	14.6	6.5	0.9	0.4	fc	
		627.1	156.8	69.7	9.8	4.4	lux	
91 Degree Extra Wide Flood	6079.0	36.5	9.1	4.1	0.6	0.3	fc	
		393.2	98.3	43.7	6.1	2.7	lux	
4000K	20 Degree Narrow Spot	7076.0	559.0	139.8	62.1	8.7	3.9	fc
			6014.8	1503.7	668.3	94.0	41.8	lux
	29 Degree Spot	6257.0	199.0	49.8	22.1	3.1	1.4	fc
			2141.2	535.3	237.9	33.5	14.9	lux
	39 Degree Narrow Flood	6582.0	117.6	29.4	13.1	1.8	0.8	fc
			1265.4	316.3	140.6	19.8	8.8	lux
	46 Degree Medium Flood	6246.0	99.2	24.8	11.0	1.6	0.7	fc
1067.4			266.8	118.6	16.7	7.4	lux	
51 Degree Wide Flood	6436.0	77.1	19.3	8.6	1.2	0.5	fc	
		829.6	207.4	92.2	13.0	5.8	lux	
64 Degree Very Wide Flood	6484.0	58.8	14.7	6.5	0.9	0.4	fc	
		632.2	158.0	70.2	9.9	4.4	lux	
91 Degree Extra Wide Flood	6131.0	36.8	9.2	4.1	0.6	0.3	fc	
		396.1	99.0	44.0	6.2	2.8	lux	
3000K	20 Degree Narrow Spot	6032.0	476.6	119.2	53.0	7.4	3.3	fc
			5128.2	1282.1	569.8	80.1	35.6	lux
	29 Degree Spot	5334.0	170.4	42.6	18.9	2.7	1.2	fc
			1833.5	458.4	203.7	28.6	12.7	lux
	39 Degree Narrow Flood	5611.0	100.2	25.1	11.1	1.6	0.7	fc
			1078.2	269.5	119.8	16.8	7.5	lux
	46 Degree Medium Flood	5325.0	86.2	21.6	9.6	1.3	0.6	fc
927.5			231.9	103.1	14.5	6.4	lux	
51 Degree Wide Flood	5486.0	65.7	16.4	7.3	1.0	0.5	fc	
		706.9	176.7	78.5	11.0	4.9	lux	
64 Degree Very Wide Flood	5527.0	50.1	12.5	5.6	0.8	0.3	fc	
		539.1	134.8	59.9	8.4	3.7	lux	
91 Degree Extra Wide Flood	5226.0	31.4	7.9	3.5	0.5	0.2	fc	
		338.0	84.5	37.6	5.3	2.3	lux	
2700K	20 Degree Narrow Spot	6084.0	480.7	120.2	53.4	7.5	3.3	fc
			5172.3	1293.1	574.7	80.8	35.9	lux
	29 Degree Spot	5380.0	171.9	43.0	19.1	2.7	1.2	fc
			1849.6	462.4	205.5	28.9	12.8	lux
	39 Degree Narrow Flood	5659.0	101.1	25.3	11.2	1.6	0.7	fc
			1087.8	272.0	120.9	17.0	7.6	lux
	46 Degree Medium Flood	5371.0	86.9	21.7	9.7	1.4	0.6	fc
935.0			233.8	103.9	14.6	6.5	lux	
51 Degree Wide Flood	5534.0	66.3	16.6	7.4	1.0	0.5	fc	
		713.4	178.3	79.3	11.1	5.0	lux	
64 Degree Very Wide Flood	5575.0	50.5	12.6	5.6	0.8	0.4	fc	
		543.1	135.8	60.3	8.5	3.8	lux	
91 Degree Extra Wide Flood	5271.0	31.7	7.9	3.5	0.5	0.2	fc	
		340.9	85.2	37.9	5.3	2.4	lux	

Note: all photometrics above including published IES files have been taken with the DMX version of this product. The output on the mains dim version may vary depending upon the connected dimming systems efficiency.

Dimensions

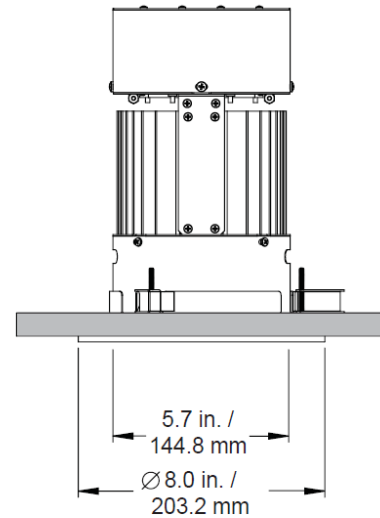
Product Dimensions - Remodeler Versions

DMX Model

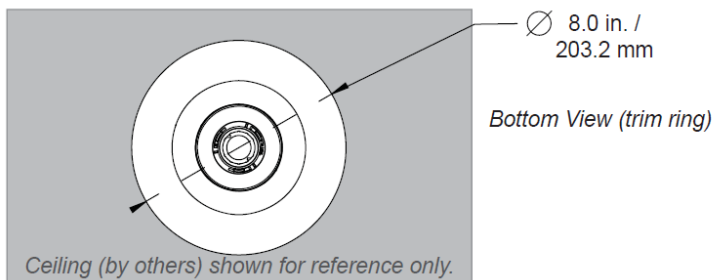
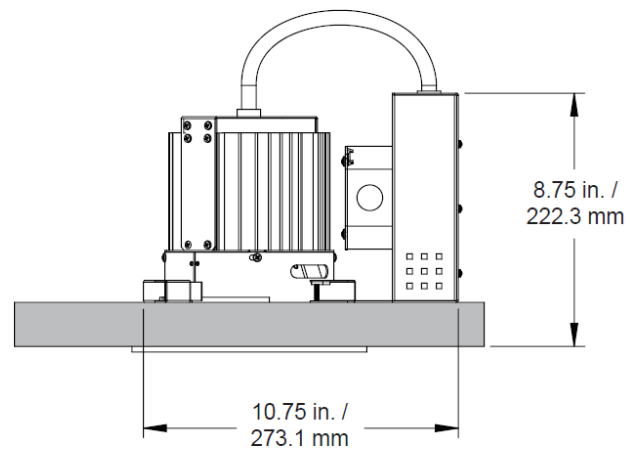
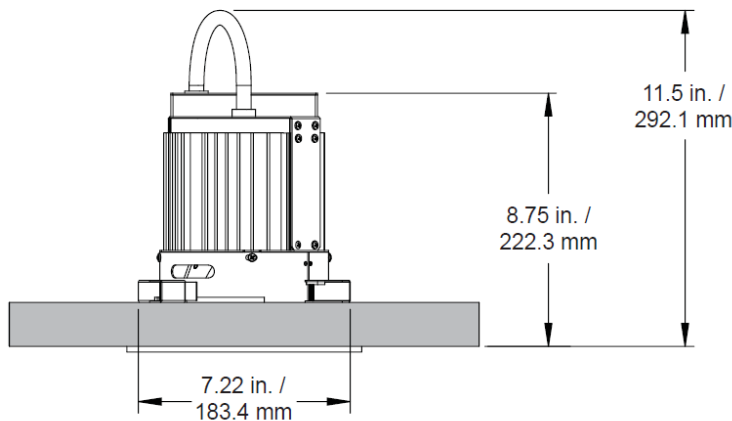


NOTE: Ceiling (by others) shown for reference only. Ceiling thickness range 0.50 to 1.5-inches. Ceiling material and framework must be sturdy enough to support weight of luminaires.

For drop ceiling applications, you must use the new construction or sloped ceiling type luminaires.



Mains Dim Model



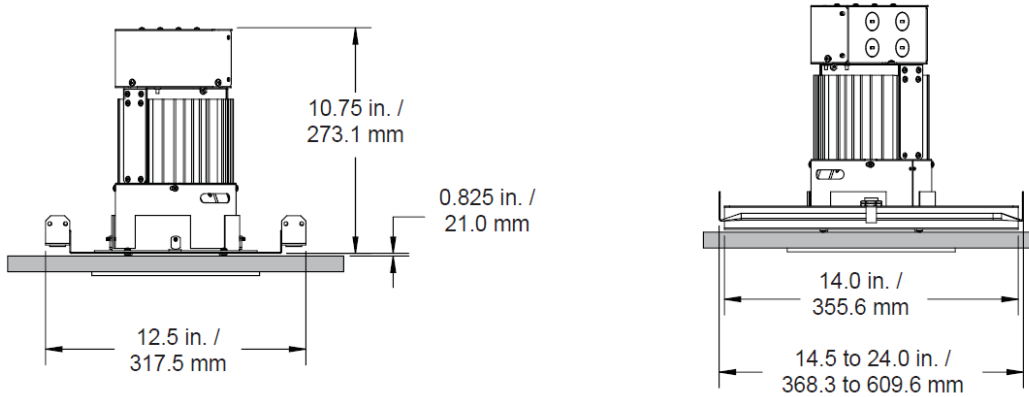
Note: Installation hole opening needs to be a minimum of 7-inches but no larger than 7.75-inches in diameter.

Dimensions

For drop ceiling applications, the new construction or sloped ceiling type luminaires must be used.

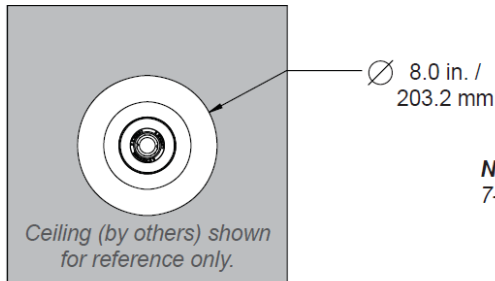
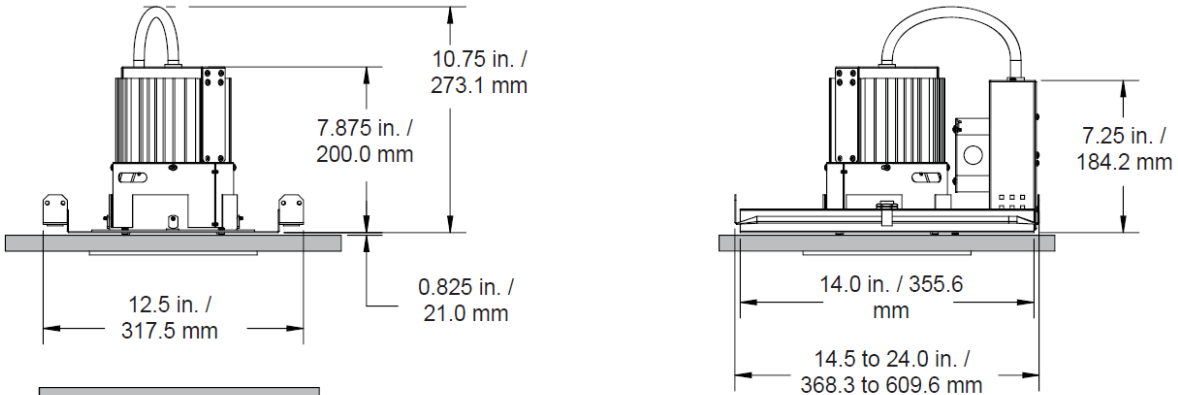
Product Dimensions - New Construction Versions

DMX Model



NOTE: Ceiling (by others) shown for reference only. Ceiling thickness range 0.50 to 1.5-inches. Ceiling material and framework must be sturdy enough to support weight of luminaires.

Mains Dim Model



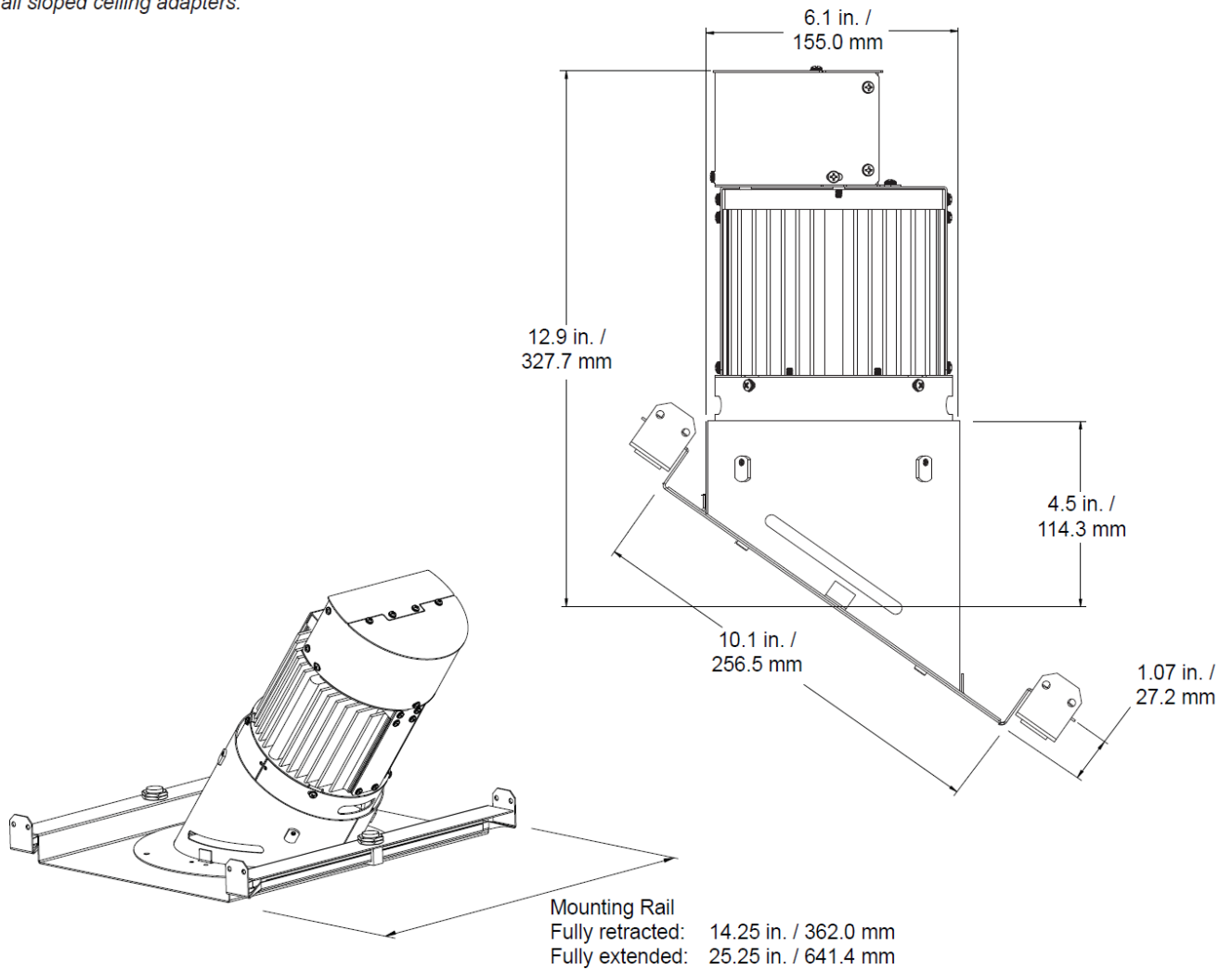
Note: Installation hole opening needs to be a minimum of 7-inches but no larger than 7.75-inches in diameter.

Dimensions

Product Dimensions

Note: 35-degree sloped ceiling adapter shown with luminaire installed. Typical for all sloped ceiling adapters.

For drop ceiling applications, the new construction or sloped ceiling type luminaires must be used.



For best performance in sloped ceiling applications and masking of beam, one of the following reflectors should be used:

Part Number	Description
19-F13379	20 Degree Narrow Spot Reflector, 3 in. / 76.2 mm (high) x 4.68 in. / 118.9 mm (diameter)
19-F13380	29 Degree Spot Reflector, 3 in. / 76.2 mm (high) x 4.68 in. / 118.9 mm (diameter)
19-F13381	46 Degree Medium Flood Reflector, 3 in. / 76.2 mm (high) x 4.68 in. / 119.5 mm (diameter)

Chalice Cooling Reference

PART NUMBER	MODEL	COOLING
CDP50-*_*_*_*	Chalice 50 Pendant	Convection
CDR50-*_*_*_*	Chalice 50 Recessed	
CDA50-*_*_*_*	Chalice 50 Aircraft Cable	
CDP70-*_*_*_*	Chalice 70 Pendant	Mains-Dim version has driver fan.
CDR70-*_*_*_*	Chalice 70 Recessed	
CDA70-*_*_*_*	Chalice 70 Aircraft Cable	
CDW70-*_*_*_*	Chalice 70 Wall	
CDY70-*_*_*_*	Chalice 70 Yoke	
CDP100-*_*_*_*	Chalice 100 Pendant	Convection
CDR100-*_*_*_*	Chalice 100 Recessed	
CDA100-*_*_*_*	Chalice 100 Aircraft Cable	
CDW100-*_*_*_*	Chalice 100 Wall	
CDY100-*_*_*_*	Chalice 100 Yoke	
CDP150-*_*_*_*	Chalice 150 Pendant	DMX - Convection / Mains-Dim - Driver Fan
CDR150-*_*_*_*	Chalice 150 Recessed	Overall fixture fan
CDA150-*_*_*_*	Chalice 150 Aircraft Cable	DMX - Convection / Mains-Dim - Driver Fan
CDW150-*_*_*_*	Chalice 150 Wall	DMX - Convection / Mains-Dim - Driver Fan
CDY150-*_*_*_*	Chalice 150 Yoke	DMX - Convection / Mains-Dim - Driver Fan

Specifications

Materials:	Corrosion-resistant materials and hardware
Control:	Mains dimmable or DMX/RDM
Light Engine:	70W LED Array - Available in 2700K, 3000K, 4000K or 5000K White / CRI >89
Lumens:	Max 7016. Refer to photometric charts (in this document) for Lumen output of each CCT and reflector type.
Rated LED Life:	Array rating >50,000 hours to L70
Input Voltage:	DMX Models: 100-277 VAC 50/60 Hz Mains Dimmable Models: 100-240 VAC 50/60 Hz
Current Draw:	DMX Models: 0.58A @ 120VAC / 0.32A @ 220VAC / 0.25A @ 277VAC Mains Dimmable Models: 0.58A @120VAC / 0.29A @ 240VAC
Current Inrush:	15Apk Max 1/2 cycle @120VAC
Quiescent Load:	3.1 Watts (DMX Models Only)
LED Engine Cooling:	DMX - Convection / Mains Dim - Fan
Environment:	0 - 40°C (32 - 104°F) with humidity of 5-95% non-condensing)
Weight:	9 lbs. (4.1 kgs.)
Compliance:	cETLus listed and CE marked for indoor use
Warranty:	Five (5) years and One (1) day
Support:	Supported Forever - free phone and online tech support for the life of your product.

NOTES:
Noise levels on mains dim luminaires are subject to the dimming/switching systems in which they are wired. Electrical systems displaying harmonics may increase the dB Noise output of the luminaire.

Do not connect more than four (4) mains dim luminaires to the same dimmer. Connecting more than four luminaires to the same dimmer will result in undesired low-end dimmer response. Dimmer must be sized appropriately to handle luminaire load.

Maximum number of DMX controlled fixtures is as per installed breaker current breaking capacity and inrush current capacity.

One (1) sloped ceiling adapter is included with each sloped unit ordered. Specify sloped ceiling adapter at time of ordering.

Up to 25% beam clipping will occur, with the use of 51°, 64°, and 90° angle reflectors on the long axis of a sloped ceiling adapter. Please allow for standard 20% to 30% beam overlap when using the sloped ceiling adapter accessory and these reflectors. For best performance in sloped ceiling applications and masking of beam, 20, 29, or 46 degree reflectors should be used.

PART NUMBER	MODEL	COOLING
CDR70-*-*-***	Chalice 70 Recessed	Mains-dim version has driver fan.

Ordering Information

CDR70-(Mounting)-(LED Array)-(Trim Ring)-(Control)-(Voltage)

Model:	CDR70 Chalice Recessed LED Luminaire
Mounting:	RM (Remodeler), NC (New Construction) and SSA (Sloped Ceiling Adapters)*
LED Array:	2K (2700K), 3K (3000K), 4K (4000K) or 5K (5000K)
Trim Ring Color:	Black (B) or White (W) or Custom (C)**
Control:	DMX Control (D) or Mains Dimmable (M)***
Voltage:	120 (120VAC), 220 (220VAC), or 277 (277VAC)

NOTES:
*Specify the angle of the sloped ceiling adapter at order. See below for available versions.
**Consult factory before ordering.
***Mains Dimmable models are only available in 120VAC or 240VAC.

Each luminaire ordered, remodeler, new construction or sloped ceiling adapter, includes the luminaire, its fixture mount, and one reflector. For example, a CDR70NC-2K-W-D-120 includes the CDR70 DMX controlled 2700K light engine, White Trim Ring, New Construction Tray and one reflector. Specify reflector type at time of ordering.

Drop ceiling applications require a new construction or sloped ceiling adapter type luminaire.

Optional Accessories

19-F13379	20 Degree Narrow Spot Reflector, 3 in. / 76.2 mm (high) x 4.68 in. / 118.9 mm (diameter)
19-F13380	29 Degree Spot Reflector, 3 in. / 76.2 mm (high) x 4.68 in. / 118.9 mm (diameter)
19-F13325	39 Degree Medium Flood Reflector, 1.25 in. / 31.8 mm (high) x 3.22 in. / 81.8 mm (diameter)
19-F13381	46 Degree Medium Flood Reflector, 3 in. / 76.2 mm (high) x 4.68 in. / 119.5 mm (diameter)
19-F13401	51 Degree Wide Flood Reflector, 1.25 in. / 31.8 mm (high) x 3.22 in. / 81.8 mm (diameter)
19-F13402	64 Degree Very Wide Flood Reflector, 1.25 in. / 31.8 mm (high) x 3.22 in. / 81.8 mm (diameter)
19-F13838	91 Degree Extra Wide Flood Reflector, 1.25 in. / 31.8 mm (high) x 3.22 in. / 81.8 mm (diameter)

Note: One (1) reflector included with each luminaire ordered. Specify reflector type at time of ordering.

CDR70-150RMR	Remodeler Ring Mount CDR70.150
CDR70-150NCT	New Construction Tray Mount CDR70.150
CDR70-150SSA-5*	CDR 70 & 150 5 Degree Sloped Ceiling Adapter
CDR70-150SSA-10*	CDR 70 & 150 10 Degree Sloped Ceiling Adapter
CDR70-150SSA-15*	CDR 70 & 150 15 Degree Sloped Ceiling Adapter
CDR70-150SSA-20*	CDR 70 & 150 20 Degree Sloped Ceiling Adapter
CDR70-150SSA-25*	CDR 70 & 150 25 Degree Sloped Ceiling Adapter
CDR70-150SSA-30*	CDR 70 & 150 30 Degree Sloped Ceiling Adapter
CDR70-150SSA-35*	CDR 70 & 150 35 Degree Sloped Ceiling Adapter

NOTE: * For these optional accessories, specify color Black (B), White (W) or Custom (C). For custom colors, consult factory before ordering.



Altman Lighting +1 303 500-7072
1400 East 66th Avenue sales@altmanlighting.com
Denver, CO 80229 USA support@altmanlighting.com

All specifications, descriptions, information, design, etc. contained in this document are subject to change without prior notice. All rights reserved.
6 January 2021 © 2021 Altman Stage Lighting, Inc.