

PEGASUS 6" LED FRESNEL

The Altman Pegasus 6 Fresnel is a 6-inch white output LED Fresnel that is both Mains Dimmable and DMX controlled all in one luminaire. Pegasus replicates the soft light output that is expected from a theatrical or studio fresnel. Under 150 Watts, the 6-inch Pegasus Fresnel far surpasses the output of its 500 watt incandescent counterpart.

Under Mains Dim Control these fresnels can plug directly into your theatrical phase-cut dimmers whether they are forward or reverse phase, and have been specially designed to replicate the smooth dimming curve of their incandescent twin. A 120/230 switch on the back of unit allows you to set the dimming curve for both 120 VAC and 230 VAC dimming systems.

If your lighting system consists of constant power and DMX data then Pegasus is also right choice for you. With the flip of a switch Pegasus converts from Mains Dimmable to a DMX / RDM controlled unit.

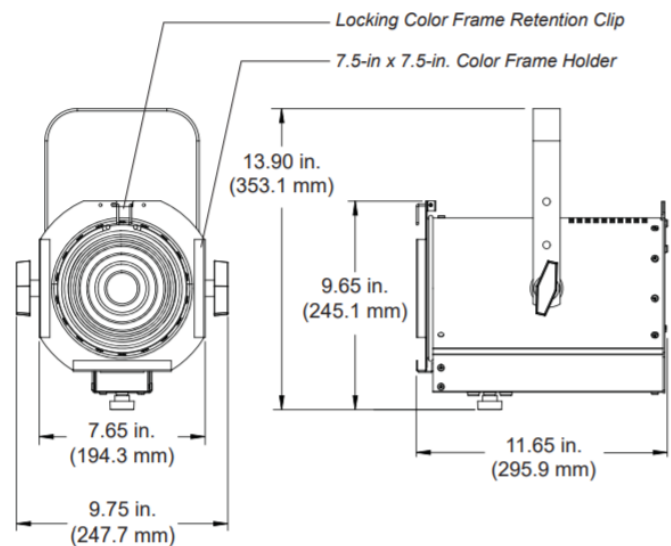
Pegasus is available in a number of different color temperatures from 2700K, 3000K, 4000K, and 5000K. Pegasus boasts a very high CRI, >90, and can be used with standard theatrical gel as well as gels that have been specifically formulated for LEDs.



Pegasus 6 Fresnel

Product Features:

- Delivers the output performance of a 500W Incandescent fresnel fixture
- 10,758 Lumens, LED and lens position dependent
- Mains Dimmable or DMX Controlled
- Available in both 6 and 8-inch models
- Available in four (4) different Color temperatures
- PowerCON & DMX in / thru connections
- Fully RDM Compliant when in DMX mode
- Electronic universal power supply 100-240VAC
- Fully homogenized beam
- High resolution digital dimming for both Mains Dimmable and DMX control
- 15 to 85 degree spot to flood beam spread
- 50,000 hours of life expectancy
- All metal construction
- Spot to flood focus adjustment
- C-Clamp, color frame, and safety cable included
- 11.5 lbs. / 5.22 kg. (including C-Clamp safety cable, and yoke)
- cETLus listed and CE marked for indoor use
- Made in the USA
- Five (5) year and one (1) day warranty
- No cost technical support for the life of your product



Photometric Performance

Spot @ 15 Degrees

Distance	5'-0" / 1.5 m	10'-0" / 3.04 m	15'-0" / 4.5 m	20'-0" / 6.09 m
Beam Diameter	1'-4" / 0.4 m	2'-8" / 0.81 m	3'-11" / 1.19 m	5'-3" / 1.6 m
2700K	1129 fc (12148 lux)	282 fc (3034 lux)	125 fc (1345 lux)	71 fc (764 lux)
3000K	1204 fc (12955 lux)	301 fc (3238 lux)	134 fc (1441 lux)	75 fc (807 lux)
4000K	1327 fc (14278 lux)	332 fc (3572 lux)	148 fc (1592 lux)	83 fc (893 lux)
5000K	1411 fc (15182 lux)	353 fc (3798 lux)	157 fc (1689 lux)	88 fc (947 lux)

Medium @ 45 Degrees

Distance	5'-0" / 1.5 m	10'-0" / 3.04 m	15'-0" / 4.5 m	20'-0" / 6.09 m
Beam Diameter	2'-10" / 0.86 m	5'-9" / 1.75 m	8'-7" / 2.6 m	11'-6" / 3.5 m
2700K	518 fc (5574 lux)	129 fc (1388 lux)	58 fc (624 lux)	32 fc (344 lux)
3000K	552 fc (5940 lux)	138 fc (1485 lux)	61 fc (656 lux)	35 fc (377 lux)
4000K	609 fc (6553 lux)	152 fc (1635 lux)	68 fc (732 lux)	38 fc (409 lux)
5000K	647 fc (692 lux)	162 fc (1743 lux)	72 fc (775 lux)	40 fc (430 lux)

Wide @ 85 Degrees

Distance	5'-0" / 1.5 m	10'-0" / 3.04 m	15'-0" / 4.5 m	20'-0" / 6.09 m
Beam Diameter	6'-6" / 1.98 m	12'-10" / 3.91 m	19'-8" / 5.9 m	23'-7" / 7.1 m
2700K	205 fc (2205 lux)	51 fc (584 lux)	23 fc (248 lux)	13 fc (140 lux)
3000K	219 fc (2356 lux)	55 fc (591 lux)	24 fc (258 lux)	14 fc (150 lux)
4000K	241 fc (2593 lux)	60 fc (645 lux)	27 fc (290 lux)	15 fc (161 lux)
5000K	256 fc (2851 lux)	64 fc (688 lux)	29 fc (312 lux)	16 fc (172 lux)

Specifications

Materials:	Corrosion-resistant materials and hardware
Control:	Mains dimmable or DMX/RDM
Light Engine:	130W LED Array - Available in 2700K, 3000K, 4000K, or 5000K
Beam Lumens	>10,758 Lumens, LED and lens position dependent
CRI	>90
Rated LED Life:	Array rating >50,000 hours to L70
Input Voltage:	100-240 VAC 50/60 Hz
Power Factor	> 0.92 @ Full Load (Mains Dimmable Models)
Current Inrush	15Apk Max 1/2 cycle @230VAC
Quiescent Load	12 Watts (DMX Models Only)
LED Engine Cooling:	Active, fan (<19dBa @ .5m)
Environment:	0 - 40°C (32 - 104°F) with humidity of 5-95% non-condensing)
Weight:	11.5 lbs. (5.22 kg) - including C-Clamp, safety cable, and yoke
Body Color:	Black standard, RAL colors available
Compliance:	cETLus listed for indoor use
Warranty:	Five (5) years and One (1) day
Support:	Supported Forever - free phone and online tech support for the life of your product.

Please note that noise levels on mains dim luminaires are subject to the dimming/switching systems in which they are wired. Electrical systems displaying harmonics may increase the audible noise output from the luminaire.

IMPORTANT! For fixtures that are mains dim controlled, do not connect more than four (4) luminaires to the same dimmer. Connecting more than four luminaires to the same dimmer will result in undesired low-end dimmer response. Note: dimmer must be sized appropriately to handle the luminaire load.



Ordering Information

PEG6-(LED ARRAY)-(BODY COLOR)

Model	Pegasus6 6-inch LED Luminaire*
LED Array:	2K (2700K), 3K (3000K), 4K (4000K) or 5K (5000K)
Body Color:	Black (B) or White (W) or Custom (C)***

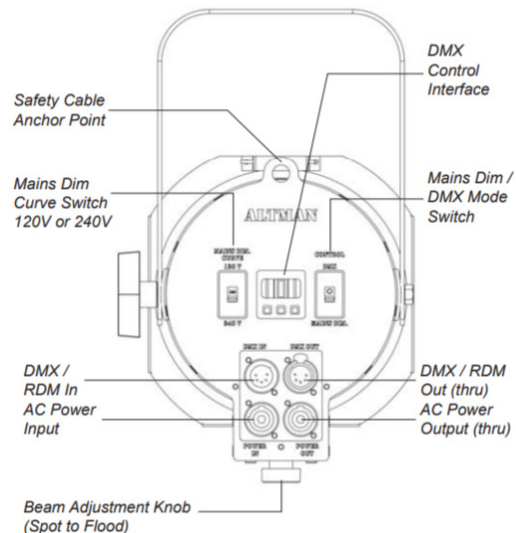
For custom colors, consult factory before ordering.

Included Accessories

510	Malleable Iron Pipe Clamp
6-CF	Color Frame
SC-36-BK	36-inch Black Safety Cable with Spring Clip
PCL-PBG-12*	5-foot 20A PowerCON with Edison Connector

Optional Accessories

6-BD-4	4-Way Barn Door
6-SN	Snoot
PCL-2P&G-12-5-*	5-foot 20A PowerCON with Stage Pin Connector
PCL-TLG-12-5-*	5-foot 20A PowerCON with L5-20P Twist-Lock Connector
PCL-BARE-12-5-*	5-foot 20A PowerCON with Bare End Lead
PCTJ-12-5-*	5-foot 20A PowerCON to PowerCON
ST-PTO	Eutrac (120V, two circuit) to PowerCON - power only adapter with luminaire track mounting hardware (only in black)
ST-PDTP	Smart Track (120V, two circuit) to PowerCON / 5-Pin XLR - Power and DMX adapter with luminaire track mounting hardware (only in black)



Altman Lighting
 1400 East 66th Avenue
 Denver, CO 80229 USA
 +1 303 500-7072
 sales@altmanlighting.com
 support@altmanlighting.com

All specifications, descriptions, information, design, etc. contained in this document are subject to change without prior notice. All rights reserved. **49-0241**
 11 May 2022 © 2022 Altman Stage Lighting, Inc.