

## PHX LVD LED ZOOM

The 15°-35° and 30°-55° PHX LVD LED Zoom are state of the art luminaires in function, style, and efficiency. These profiles have been designed and engineered with a number of innovative details and features enhancing versatility and efficiency without sacrificing performance.

This makes the PHX LVD ideal for use in concert halls, recording studios, small venues or wherever ambient noise is a concern. Under Mains Dim Control these Units can plug directly into a theatrical phase cut dimmers whether they are forward or reverse phase, and are specially designed to replicate the smooth dimming curve of their incandescent counter part.

A 360° rotating barrel help keep your keep the artistic part of your fixtures focus intact and easy to attain, with virtually no light leak. The aesthetic appearance and ergonomically designed function controls only add to the appeal.



*PHXLVD - 30-55 Degree Zoom*

### **Product Features:**

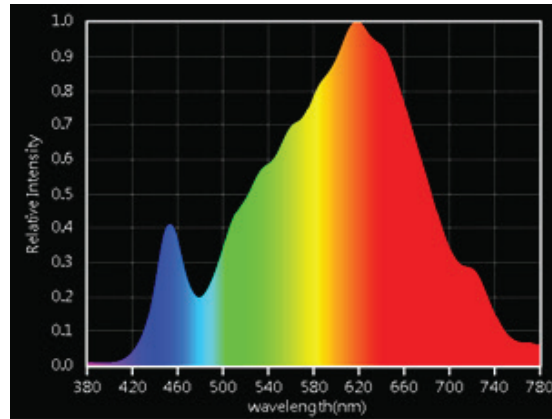
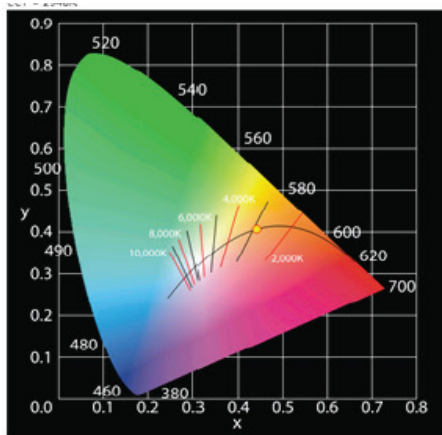
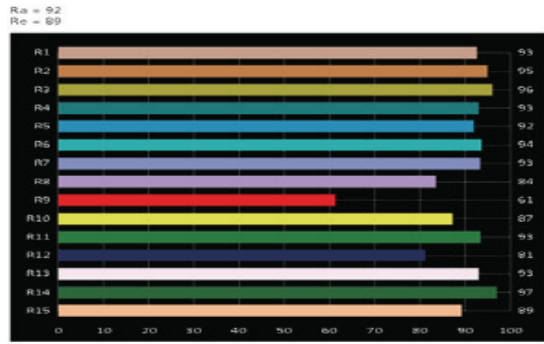
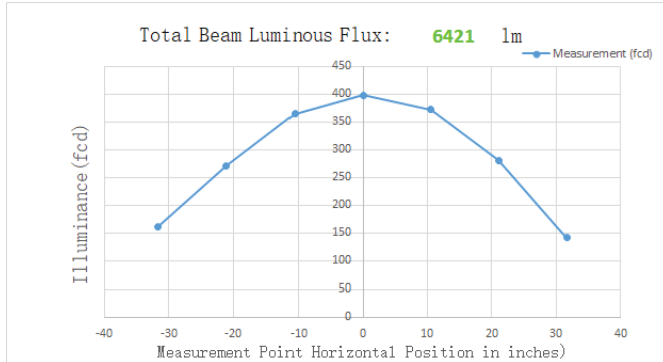
- 360-degree rotating barrel
- Heat resistant Plano-Convex lensing
- Die-cast aluminum and sheet metal fabrication
- Color frame, C-Clamp, Safety Cable
- Available standard in Black or White
- Positive locking double-clutch fixture body
- Wide accessory slot with sliding cover for motorized pattern devices or optional iris
- Yoke made from rigid flat steel with dual locking handles, two mounting positions and indexed tilt angle markings
- 27.15 lbs. (12.34 kg.)
- PSE listed (IP20 Rated for indoor use)
- Assembled in the USA
- Five (5) year and one (1) day warranty
- No cost technical support for the life of your product



Photometric Performance - PHX LVD Luminaires (at Full Intensity)

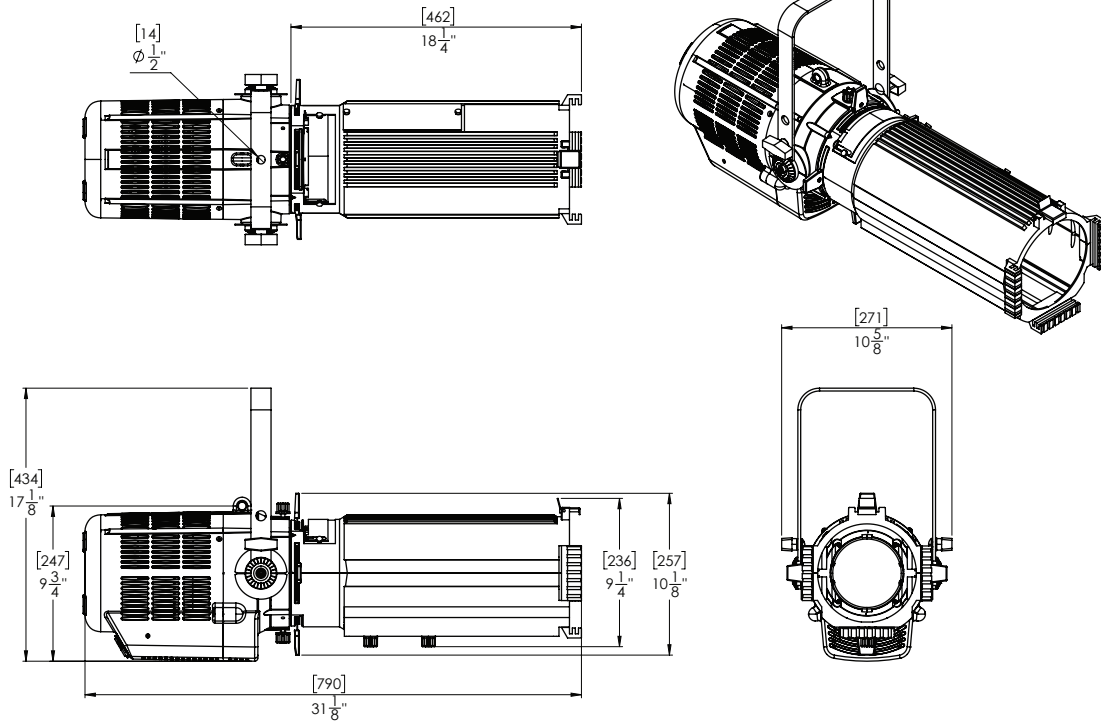
Note that it is a 26° unit similar to what you have on the fixed beam

Throw Distance (d)	10' 3m"	15' 4.6m"	20' 6m"	25' 7.6m"	30' 9m"	40' 12.2m"	50' 15.2m"
Beam Size Diameter	4.55' 1.38m"	6.83' 2.08m"	9.10' 2.77m"	11.38' 3.46m"	13.65' 4.16m"	18.20' 5.54m"	22.75' 6.93m"
Illuminance = fc (Illuminance = lux)	479 (5155)	212 (2291)	119 (1280)	76 (818)	53 (570)	29 (312)	19 (204)

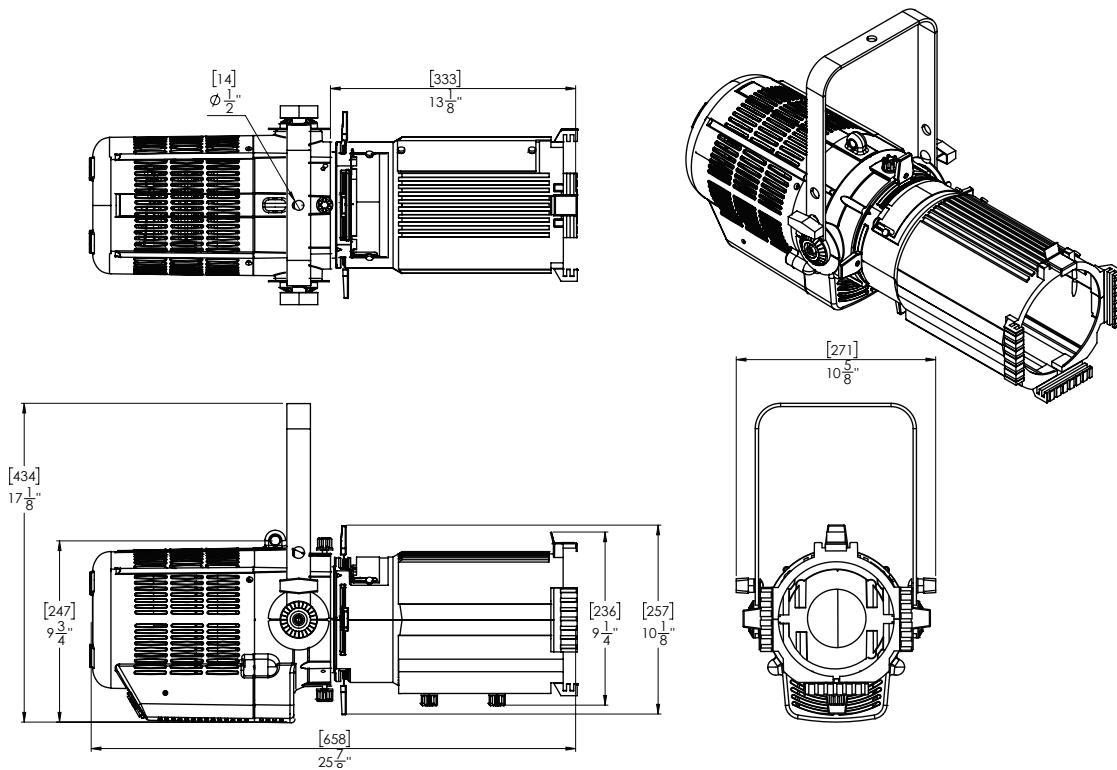


Parameter	Value
CCT	3021 K
Duv	-0.0040
CRI (Ra)(R1~R8)	94
CRI (Re) (R1-R15)	93
CQS	93
TLCI(Qa)	94
GAI	63
TM-30-15 Rf	87
TM-30-15 Rg	96

**PHX LVD - 15°-35° Zoom Profile Spot**



**PHX LVD - 30°-55° Zoom Profile Spot**



## Specifications

<b>Materials:</b>	Corrosion-resistant materials and hardware
<b>Control:</b>	Mains Dimmable
<b>Light Engine:</b>	LED Array-Available in 3000K, 5000K
<b>Beam Lumens:</b>	See photometrics
<b>CRI:</b>	>93
<b>CQS:</b>	88
<b>TM-30-15 Rf (3k):</b>	89
<b>TM-30-15 Rg (3k):</b>	99
<b>Rated LED Life:</b>	Array rating >50,000 hours to L70
<b>Input Voltage:</b>	100-240 VAC 50/60 Hz (internal dip switch setting for 230 VAC dimming curve)
<b>Watts:</b>	200
<b>Current Draw:</b>	1.66A at 120VAC / 0.86A at 230VAC
<b>LED Engine Cooling:</b>	Active Cooling at <19 dBA
<b>Environment:</b>	0 - 40°C (32 - 104°F) with humidity of 5-95% non-condensing)
<b>Weight:</b>	25.5 lbs. (12.81 kgs.)
<b>Body Color:</b>	Black or White
<b>Compliance:</b>	PSE Compliance
<b>Warranty:</b>	Five (5) years and One (1) day
<b>Support:</b>	Supported Forever - free phone and online tech support for the life of your product.

*Note: There are many aftermarket accessories for Altman Lighting products available through third-party suppliers. When considering these aftermarket accessories, we suggest that you consult with your Altman Regional Sales Manager beforehand regarding capability and effects on product performance.*

**IMPORTANT!** Do not connect more than four (4) luminaires to the same dimmer. Connecting more than four luminaires to the same dimmer will result in undesired low-end dimmer response. Note: dimmer must be sized appropriately to handle the luminaire load.

## Ordering Information

### PHXLVD-(LED ARRAY)-(LENS TYPE)-(FINISH COLOR)

<b>Model</b>	PHXLVD (PHX LVD 200W LED Zoom Profile)
<b>LED Array:</b>	(3000K), 5K (5000K)
<b>Lens Type:</b>	15Z (15°-35° zoom) or 30Z (30°-55° zoom)
<b>Body Color:</b>	Black (B) or White (W)

*Note: Each unit ordered includes a 6-1/4" x 6-1/4" Color Frame (4.5-CFB), C-Clamp (510), 36" Black Safety Cable (SC-36-BK) and 5' 20A PowerCon to Edison Cable (PCL-PBG-12-5)*

## Accessories

<b>6-CFB</b>	Color Frame, 7-1/2" x 6-1/2"
<b>510</b>	Malleable Iron Pipe Clamp
<b>510-HD</b>	Heavy Duty Malleable Iron Pipe Clamp
<b>SC-36-BK</b>	36" Black Safety Cable with Spring Clamp
<b>6-DN</b>	7-1/2" x 7-1/2" Donut, Black with 3" Hole
<b>PDII</b>	Phoenix Drop In Iris
<b>PHX-PHGSA</b>	A Size Steel Pattern Holder (100mm OD / 75mm IA)
<b>PHX-PHGSB</b>	B Size Steel Pattern Holder (86mm OD / 64.5mm IA)
<b>PHX-PHGSA-GLS</b>	B Size Glass Pattern Holder (82mm OD / 64.5mm IA)
<b>PHX-PHGSA86-GLS</b>	B Size Glass Pattern Holder (86mm OD / 64.5mm IA)
<b>PHX-PHISB</b>	B Size Steel Pattern Holder (86mm OD / 64.5mm IA) for Iris Slot
<b>PHX-PHISA-GLS</b>	A Size Glass Pattern Holder (100mm OD / 75mm IA) for Iris Slot
<b>PHX-PHISB-GLS</b>	B Size Glass Pattern Holder (82mm OD / 64.5mm IA) for Iris Slot
<b>PHX-PHISA86-GLS</b>	B Size Glass Pattern Holder (86mm OD / 64.5mm IA) for Iris Slot
<b>PCL-PBG-12-*</b>	5' 20A PowerCON with Parallel Blade U Ground (Edison)
<b>PCL-2P&amp;G-12-5-*</b>	5' 20A PowerCON with 2P&G Stage Pin Connector, Male
<b>PCL-TLG-12-5-*</b>	5' 20A PowerCON with L5-20P Twist Locking Ground Connector, Male
<b>PCL-BARE-12-5-*</b>	5' 20A PowerCON with Bare End Lead