

Enhanced Recessed Ceiling Port

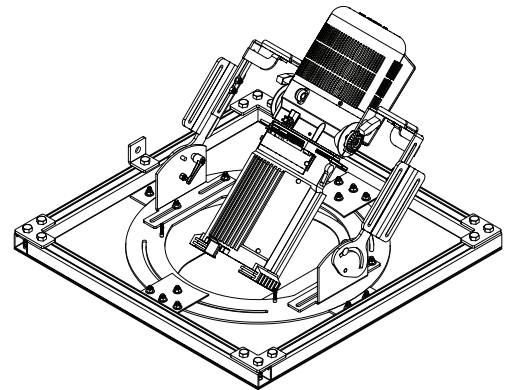
The Altman Enhanced Recessed Ceiling Port (ERCP) allows for the mounting of luminaires in an unobtrusive and architecturally pleasing manner. Designed for new construction or renovation work, this creates a discreet Front-of-House lighting position capable of supporting a full sized theatrical grade fixture almost anywhere. While most often installed in a finished ceiling the ERCP is also suitable for use in the fronts of a balcony or as vertical side lighting ports. With a 50° rotation adjustment and 65° tilt, the ERCP can easily be focused onto the desired area of the stage.

The ERCP frame is constructed from 1-5/8" Unistrut for easy installation and contractor familiarity. Trim ring height can be adjusted from 5/8" to 2" for installations with varying ceiling thickness. All recessed hardware is painted black for discretion with trim rings available in black, white, or custom colors. The ERCP provides for access from below the ceiling by way of a removable trim ring which can be used for installation and removal of fixtures as well as focusing.

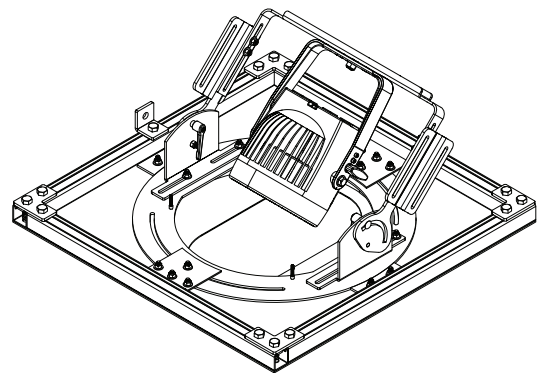
The ERCP-1 can accommodate a standard fixed focus LED Profile as well as the larger 5°, 10° or zoom variants. Longer lens tubes may extend beyond the front of the trim ring. The ERCP-1-CMP is purpose built for use with smaller PAR and Fresnel fixtures.

Product Features:

- **ERCP-1** - Enhanced Recessed Ceiling Port for PHX Series Profile Fixtures
- **ERCP-1-CMP** - Enhanced Recessed Ceiling Port with Center Mounting Point for Wash Fixtures
- 50° Rotation Adjustment
- 65° Fixture Tilt Adjustment
- 6in Fixture Height Adjustment
- Weight - 36 lbs - *Without fixture attached
- Ceiling Thickness Requirements - 5/8" – 2"
- Available in white, black or custom colors (trim ring)
- Proudly made in the USA
- No cost technical support for the life of your product

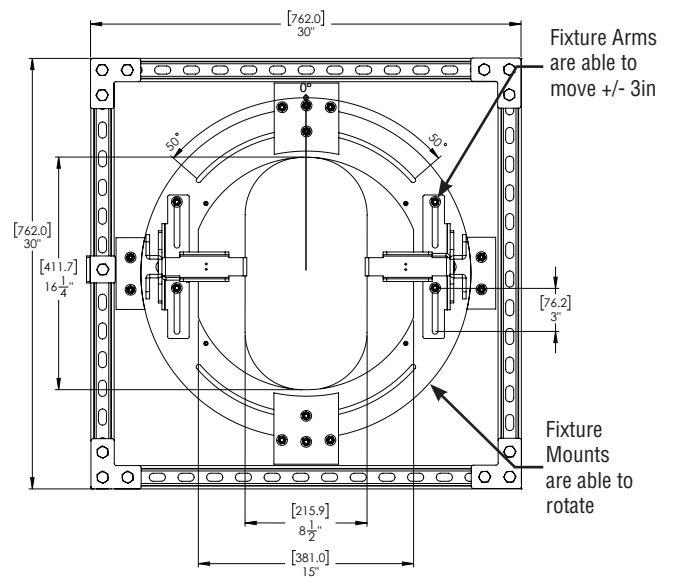
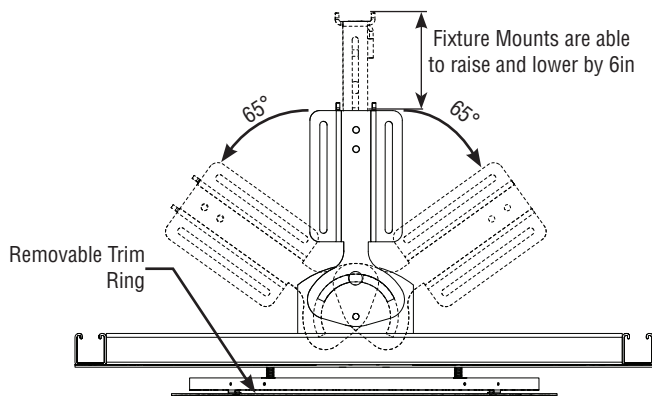


ERCP-1*

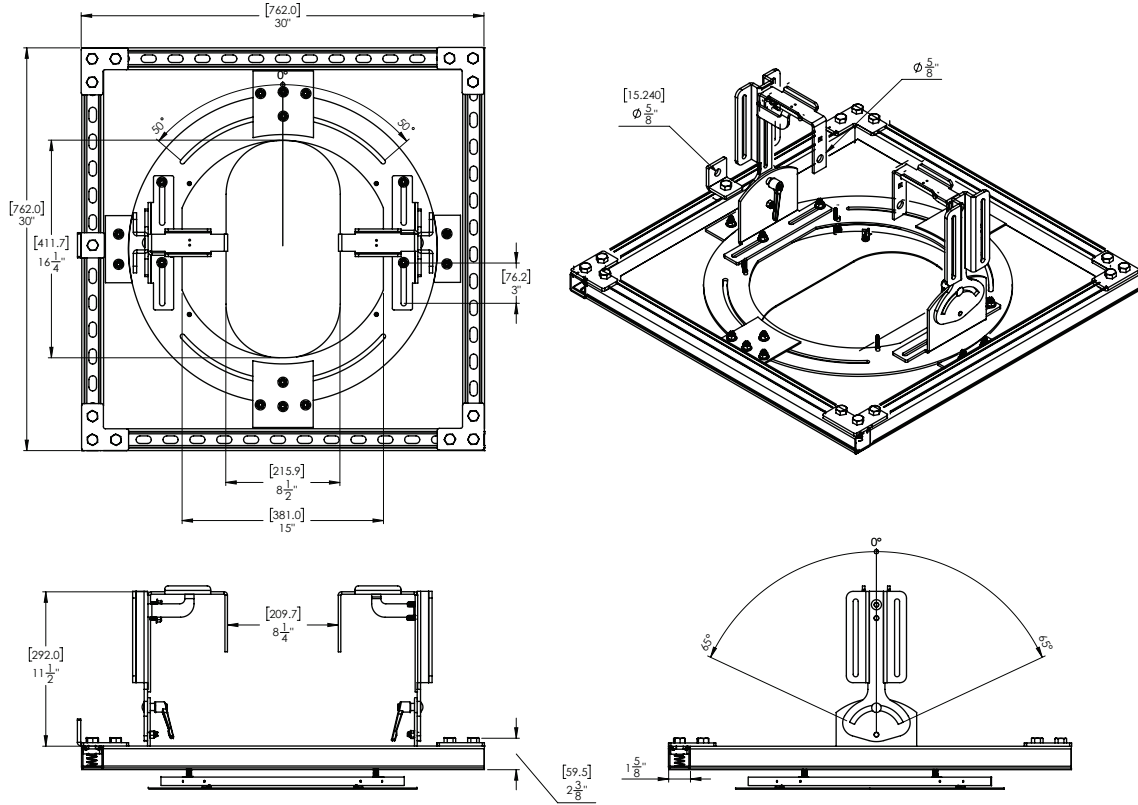


ERCP-1-CMP*

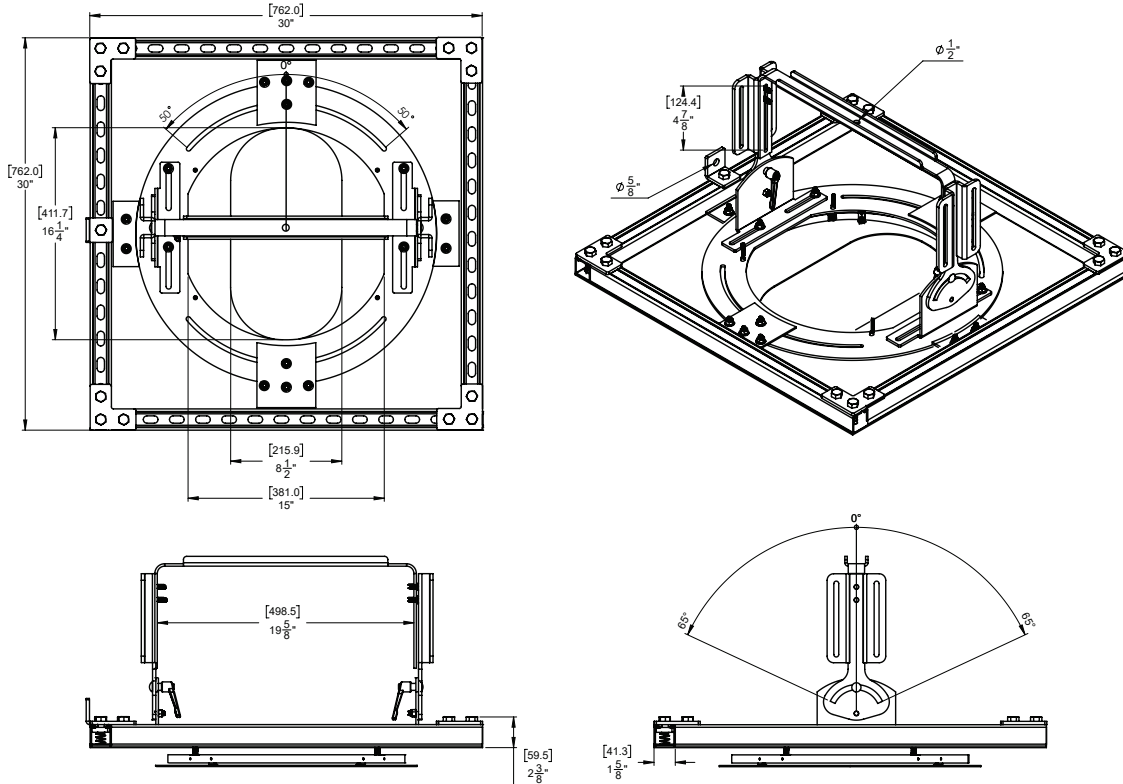
* Note - Fixtures are not included



ERCP-1 Dimensions



ERCP-1-CMP Dimensions



Specifications

| | |
|---------------------------------|---|
| Materials: | Corrosion-resistant materials and hardware |
| Frame: | 1 5/8" Unistrut Metal Framing |
| Trim Ring Color Options: | Black or White. Custom colors - consult factory |
| Weight: | ERCP-1 - 36 lbs. (16.32 kg)* ERCP-1 w/ PHX LED - 62lbs (28.12kg)* ERCP-1 w/ AIP200 - 49lbs (22.22kg)* ERCP-1 w/ AP-150 - 47lbs (21.31kg)* ERCP-1 w/ Pegasus 6 - 47.5lbs (21.54kg)* |
| Dimensions: | 30in x 30in (762mm x 762mm) |
| Compliance: | For Indoor Use Only |
| Warranty: | 2 Years |
| Support: | Supported Forever - free phone and online tech support for the life of your product. |

Note: The structure where the ERCP-1 or ERCP-1-CMP, must be capable of supporting the weight of the fixture and its accessories.

Note: This product must be installed in accordance with the applicable installation code by a person familiar with the construction and operation of the product and the Hazards involved.

* : The weight that is listed above is an approximation of the ERCP-1 with fixtures attached.

Ordering Information

ERCP-1-(Trim Ring Color)

| | |
|-------------------------|---|
| Model: | Enhanced Recessed Ceiling Port |
| Trim Ring Color: | Black (B) or White (W) or Custom (C)*** |

ERCP-1-CMP-(Trim Ring Color)

| | |
|-------------------------|---|
| Model: | Enhanced Recessed Ceiling Port with Center Mounting Point |
| Trim Ring Color: | Black (B) or White (W) or Custom (C)*** |