

## PHX1 LED ZOOM

The 15°-35° and 30°-55° PHX LED Zoom profiles are state of the art luminaires in function, style, and efficiency. These zoom profiles have been designed and engineered with a number of innovative details and features enhancing versatility and efficiency without sacrificing performance.

The PHX1 is the only silent and solid state LED profile specifically made for the production lighting and theatrical market. This makes the PHX1 ideal for use in concert halls, recording studios, small venues or wherever ambient noise is a concern.

A diverse line of LED choices are available in 250 Watt RGBA, RGBW, 3000K, 5600K, and tunable white 3000K/5600K.

Fully locking shutters and a 360° rotating barrel help keep your keep the artistic part of your fixtures focus intact and easy to attain, with virtually no light leak. The aesthetic appearance and ergonomically designed function controls only add to the appeal.



*PHX1 30-55 Degree Zoom*

### **Product Features:**

- 360-degree rotating barrel
- Heat resistant Plano-Convex lensing
- Die-cast aluminum and sheet metal fabrication
- Color frame, C-Clamp, soft focus pattern holder, safety cable and 5 foot PowerCON included
- PowerCON in and out for daisy-chaining units
- Available standard in Black or White
- Positive locking double-clutch fixture body
- Wide accessory slot with sliding cover for motorized pattern devices or optional iris
- Yoke made from rigid flat steel with dual locking handles, two mounting positions and indexed tilt angle markings
- DMX512 in/thru via 5-pin XLR connector
- Multiple on-board control options: color fades and strobes
- Console free stand alone Player Mode
- 8-bit or 16-bit virtual dimming engine provides smooth, high quality fades and minimizes color shift during dimming
- User friendly control interface
- Carries standard 5 year plus 1 day Altman Warranty
- 27.15 lbs. (12.34 kg.)
- cETLus listed and CE marked (IP20 Rated for indoor use)
- Assembled in the USA
- Five (5) year and one (1) day warranty
- No cost technical support for the life of your product



**Photometric Performance - PHX 150W RGBA with 15-35 Degree Zoom Lens**

**Narrow**

Throw Distance (d)		10'	15'	20'	25'	30'	35'	40'	45'	50'	55'
Beam Size Diameter		2' - 9"	3'-11"	5'	6' - 2"	7' - 4"	8' - 6"	9' - 7"	10' - 9"	11' - 11"	13'
		0.85m	1.19m	1.54m	1.89m	2.24m	2.58m	2.93m	3.28m	3.63m	3.97m
Full on RGBA	Illuminance = fc (Illuminance = lux)	454.52 (4892.45)	202.01 (2174.42)	113.63 (1223.11)	72.72 (782.79)	50.50 (543.60)	37.10 (399.38)	28.41 (305.77)	22.45 (241.60)	18.18 (195.69)	15.03 (161.73)
Red	Illuminance = fc (Illuminance = lux)	112.90 (1215.27)	50.18 (540.12)	28.23 (303.81)	18.06 (194.44)	12.54 (135.03)	9.22 (99.20)	7.06 (75.95)	5.58 (60.01)	4.52 (48.61)	3.73 (40.17)
Green	Illuminance = fc (Illuminance = lux)	242.07 (2605.63)	107.59 (1158.06)	60.52 (651.40)	38.73 (416.90)	26.90 (289.51)	19.76 (212.70)	15.13 (162.85)	11.95 (128.67)	9.68 (104.22)	8.00 (86.13)
Blue	Illuminance = fc (Illuminance = lux)	55.88 (601.45)	24.83 (267.31)	13.97 (150.36)	8.94 (96.23)	6.21 (66.82)	4.56 (49.09)	3.49 (37.59)	2.76 (29.70)	2.24 (24.05)	1.85 (19.88)
Amber	Illuminance = fc (Illuminance = lux)	73.30 (789.02)	32.58 (350.67)	18.33 (197.25)	11.73 (126.24)	8.14 (87.66)	5.98 (64.41)	4.58 (49.31)	3.62 (38.96)	2.93 (31.56)	2.42 (26.08)

**Medium**

Throw Distance (d)		10'	15'	20'	25'	30'	35'	40'	45'	50'	55'
Beam Size Diameter		4' - 3"	6' - 2"	8' - 4"	9' - 11"	11' - 10"	13' - 9"	15' - 7"	17' - 6"	19' - 5"	21' - 3"
		1.30m	1.88m	2.46m	3.03m	3.61m	4.18m	4.76m	5.34m	5.91m	6.49m
Full on RGBA	Illuminance = fc (Illuminance = lux)	230.90 (2485.43)	102.62 (1104.63)	57.73 (621.35)	36.94 (397.66)	25.66 (276.15)	18.85 (202.89)	14.43 (155.33)	11.40 (122.73)	9.24 (99.41)	7.63 (82.16)
Red	Illuminance = fc (Illuminance = lux)	58.08 (625.12)	25.81 (277.83)	14.52 (156.28)	9.29 (100.01)	6.45 (69.45)	4.74 (51.03)	3.63 (39.07)	2.87 (30.87)	2.32 (25.00)	1.92 (20.66)
Green	Illuminance = fc (Illuminance = lux)	120.33 (1295.24)	53.48 (575.66)	30.08 (323.81)	19.25 (207.23)	13.37 (143.91)	9.82 (105.73)	7.52 (80.95)	5.94 (63.96)	4.81 (51.80)	3.98 (42.81)
Blue	Illuminance = fc (Illuminance = lux)	26.98 (290.41)	11.99 (129.07)	6.75 (72.60)	4.32 (46.46)	3.00 (32.26)	2.20 (23.70)	1.69 (18.15)	1.33 (14.34)	1.08 (11.61)	0.89 (9.60)
Amber	Illuminance = fc (Illuminance = lux)	37.97 (408.72)	16.88 (181.65)	9.49 (102.18)	6.08 (65.39)	4.22 (45.41)	3.10 (33.36)	2.37 (25.54)	1.88 (20.18)	1.52 (16.34)	1.26 (13.51)

**Wide**

Throw Distance (d)		10'	15'	20'	25'	30'	35'	40'	45'	50'	55'
Beam Size Diameter		5' - 10"	8' - 6"	11' - 3"	13' - 11"	16' - 7"	19' - 3"	21' - 11"	24' - 7"	27' - 3"	29' - 11"
		1.79m	2.60m	3.42m	4.24m	5.05m	5.87m	6.69m	7.50m	8.32m	9.14m
Full on RGBA	Illuminance = fc (Illuminance = lux)	109.49 (1178.57)	48.66 (523.80)	27.37 (294.64)	17.52 (188.57)	12.17 (130.95)	8.94 (96.20)	6.84 (73.66)	5.41 (58.20)	4.38 (47.14)	3.62 (38.96)
Red	Illuminance = fc (Illuminance = lux)	27.56 (296.60)	12.25 (131.82)	6.89 (74.15)	4.41 (47.45)	3.06 (32.95)	2.25 (24.21)	1.72 (18.53)	1.36 (14.64)	1.10 (11.86)	0.91 (9.80)
Green	Illuminance = fc (Illuminance = lux)	56.26 (605.57)	25.00 (269.14)	14.07 (151.39)	9.00 (96.89)	6.25 (67.28)	4.59 (49.43)	3.52 (37.84)	2.78 (29.90)	2.25 (24.22)	1.86 (20.01)
Blue	Illuminance = fc (Illuminance = lux)	12.25 (131.82)	5.44 (58.58)	3.06 (32.95)	1.96 (21.09)	1.36 (14.64)	1.00 (10.76)	0.77 (8.23)	0.60 (6.50)	0.49 (5.27)	0.40 (4.35)
Amber	Illuminance = fc (Illuminance = lux)	18.70 (201.28)	8.31 (89.46)	4.68 (50.32)	2.99 (32.20)	2.08 (22.36)	1.53 (16.43)	1.17 (12.58)	0.92 (9.94)	0.75 (8.05)	0.62 (6.65)

**Photometric Performance - PHX 150W RGBA with 30-55 Degree Zoom Lens**

**Narrow**

	Throw Distance (d)	10' 3.05m	15' 4.57m	20' 6.09m	25' 7.62m	30' 9.14m	35' 10.67m	40' 12.19m	45' 13.72m	50' 15.24m	55' 16.76m
	Beam Size Diameter	5' - 6" 1.69m	8' 2.45m	10' - 7" 3.22m	13' - 1" 3.98m	15' - 7" 4.75m	18' - 1" 5.52m	20' - 7" 6.28m	23' - 2" 7.05m	25' - 8" 7.82m	28' - 2" 8.58m
Full on RGBA	Illuminance = fc (Illuminance = lux)	167.46 (1802.56)	74.43 (801.14)	41.87 (450.64)	26.79 (288.41)	18.61 (200.28)	13.67 (147.14)	10.47 (112.66)	8.27 (89.01)	6.70 (72.10)	5.54 (59.58)
Red	Illuminance = fc (Illuminance = lux)	40.47 (435.64)	17.99 (193.61)	10.12 (108.91)	6.48 (69.70)	4.50 (48.40)	3.30 (35.56)	2.53 (27.22)	2.00 (21.51)	1.62 (17.42)	1.34 (14.40)
Green	Illuminance = fc (Illuminance = lux)	88.34 (950.89)	39.26 (422.61)	22.09 (237.72)	14.13 (152.14)	9.82 (105.65)	7.21 (77.62)	5.52 (59.43)	4.36 (46.95)	3.53 (38.03)	2.92 (31.43)
Blue	Illuminance = fc (Illuminance = lux)	20.54 (221.13)	9.13 (98.28)	5.14 (55.28)	3.29 (35.38)	2.28 (24.57)	1.68 (18.05)	1.28 (13.82)	1.01 (10.92)	0.82 (8.84)	0.68 (7.31)
Amber	Illuminance = fc (Illuminance = lux)	26.80 (288.51)	11.91 (128.23)	6.70 (72.12)	4.29 (46.16)	2.98 (32.05)	2.19 (23.55)	1.68 (18.03)	1.32 (14.24)	1.07 (11.54)	0.89 (9.53)

**Medium**

	Throw Distance (d)	10' 3.05m	15' 4.57m	20' 6.09m	25' 7.62m	30' 9.14m	35' 10.67m	40' 12.19m	45' 13.72m	50' 15.24m	55' 16.76m
	Beam Size Diameter	7' - 1" 2.16m	10' - 5" 3.17m	13' - 8" 4.17m	17' 5.18m	20' - 3" 6.18m	23' - 7" 7.19m	26' - 11" 8.19m	30' - 2" 9.20m	33' - 6" 10.20m	36' - 9" 11.21m
Full on RGBA	Illuminance = fc (Illuminance = lux)	111.36 (1198.70)	49.49 (532.75)	27.84 (299.67)	17.62 (191.79)	12.37 (133.18)	9.09 (97.85)	6.96 (74.91)	5.50 (59.19)	4.45 (47.94)	3.68 (39.62)
Red	Illuminance = fc (Illuminance = lux)	26.91 (289.70)	11.96 (128.75)	6.73 (72.42)	4.31 (46.35)	2.99 (32.18)	2.20 (23.64)	1.68 (18.10)	1.33 (14.30)	1.08 (11.58)	0.89 (9.57)
Green	Illuminance = fc (Illuminance = lux)	58.75 (632.34)	26.11 (281.04)	14.69 (158.08)	9.40 (101.17)	6.53 (70.26)	4.80 (51.61)	3.67 (39.52)	2.90 (31.22)	2.35 (25.29)	1.94 (20.90)
Blue	Illuminance = fc (Illuminance = lux)	13.66 (147.05)	6.07 (65.35)	3.42 (36.76)	2.19 (23.76)	1.52 (16.33)	1.12 (12.00)	0.85 (9.19)	0.67 (7.26)	0.55 (5.88)	0.45 (4.86)
Amber	Illuminance = fc (Illuminance = lux)	17.82 (191.86)	7.92 (85.27)	4.46 (47.96)	2.85 (30.69)	1.98 (21.31)	1.46 (15.66)	1.11 (11.99)	0.88 (9.47)	0.71 (7.67)	0.59 (6.34)

**Wide**

	Throw Distance (d)	10' 3.048m	15' 4.572m	20' 6.096m	25' 7.62m	30' 9.144m	35' 10.668m	40' 12.192m	45' 13.716m	50' 15.24m	55' 16.764m
	Beam Size Diameter	8' - 10" 2.68m	13' 3.95m	17' - 1" 5.22m	21' - 3" 6.48m	25' - 5" 7.75m	29' - 7" 9.01m	33' - 9" 10.28m	37' - 10" 11.54m	42' 12.81m	46' - 2" 14.08m
Full on RGBA	Illuminance = fc (Illuminance = lux)	61.62 (663.28)	27.39 (294.79)	15.41 (165.82)	9.86 (106.82)	6.85 (73.69)	5.03 (54.14)	3.85 (41.45)	3.04 (32.75)	2.46 (26.53)	2.04 (21.92)
Red	Illuminance = fc (Illuminance = lux)	15.20 (163.64)	6.76 (72.72)	3.80 (40.91)	2.43 (26.18)	1.69 (18.18)	1.24 (13.35)	0.95 (10.22)	0.75 (8.08)	0.61 (6.54)	0.50 (5.40)
Green	Illuminance = fc (Illuminance = lux)	32.05 (344.97)	14.24 (153.32)	8.01 (86.24)	5.13 (55.19)	3.56 (38.33)	2.62 (28.16)	2.00 (21.56)	1.58 (17.03)	1.28 (13.79)	1.06 (11.40)
Blue	Illuminance = fc (Illuminance = lux)	6.78 (72.97)	3.01 (32.43)	1.69 (18.24)	1.08 (11.67)	0.75 (8.10)	0.55 (5.95)	0.42 (4.56)	0.33 (3.60)	0.27 (2.91)	0.22 (2.41)
Amber	Illuminance = fc (Illuminance = lux)	9.64 (103.73)	4.28 (46.10)	2.41 (25.93)	1.54 (16.59)	1.07 (11.52)	0.79 (8.46)	0.60 (6.48)	0.48 (5.12)	0.39 (4.14)	0.32 (3.42)

**Photometric Performance - PHX 150W RGBW with 15-35 Degree Zoom Lens**

**Narrow**

	Throw Distance (d)	10' 3.05m	15' 4.57m	20' 6.09m	25' 7.62m	30' 9.14m	35' 10.67m	40' 12.19m	45' 13.72m	50' 15.24m	55' 16.76m
	Beam Size Diameter	2' - 9" 0.85m	3' - 11" 1.19m	5' 1.54m	6' - 2" 1.89m	7' - 4" 2.24m	8' - 6" 2.58m	9' - 7" 2.93m	10' - 9" 3.28m	11' - 11" 3.63m	13' 3.97m
Full on RGBW	Illuminance = fc (Illuminance = lux)	722.89 (7781.16)	321.29 (3458.29)	180.72 (1223.11)	115.66 (1945.29)	80.32 (864.57)	59.01 (6.35.19)	45.18 (486.32)	35.70 (384.25)	28.92 (311.24)	23.90 (257.22)
Red	Illuminance = fc (Illuminance = lux)	112.90 (1215.27)	50.18 (540.12)	28.23 (303.81)	18.06 (194.44)	12.54 (135.03)	9.22 (99.20)	7.06 (75.95)	5.58 (60.01)	4.52 (48.61)	3.73 (40.17)
Green	Illuminance = fc (Illuminance = lux)	242.07 (2605.63)	107.59 (1158.06)	60.52 (651.40)	38.73 (416.90)	26.90 (289.51)	19.76 (212.70)	15.13 (162.85)	11.95 (128.67)	9.68 (104.22)	8.00 (86.13)
Blue	Illuminance = fc (Illuminance = lux)	55.88 (601.45)	24.83 (267.31)	13.97 (150.36)	8.94 (96.23)	6.21 (66.82)	4.56 (49.09)	3.49 (37.59)	2.76 (29.70)	2.24 (24.05)	1.85 (19.88)
White	Illuminance = fc (Illuminance = lux)	351.15 (3779.71)	156.07 (1679.87)	87.79 (944.92)	56.18 (604.75)	39.02 (419.96)	28.67 (308.64)	21.95 (236.23)	17.34 (186.65)	14.05 (151.18)	11.61 (124.94)

**Medium**

	Throw Distance (d)	10' 3.05m	15' 4.57m	20' 6.09m	25' 7.62m	30' 9.14m	35' 10.67m	40' 12.19m	45' 13.72m	50' 15.24m	55' 16.76m
	Beam Size Diameter	4' - 3" 1.30m	6' - 2" 1.88m	8' 2.46m	9' - 11" 3.03m	11' - 10" 3.61m	13' - 9" 4.18m	15' - 7" 4.76m	17' - 6" 5.34m	19' - 5" 5.91m	21' - 3" 6.49m
Full on RGBW	Illuminance = fc (Illuminance = lux)	367.24 (3952.93)	163.22 (1756.85)	91.81 (988.23)	58.76 (632.46)	40.80 (439.21)	29.98 (322.68)	22.95 (247.05)	18.14 (195.20)	14.69 (158.11)	12.14 (130.67)
Red	Illuminance = fc (Illuminance = lux)	58.08 (625.12)	25.81 (277.83)	14.52 (156.28)	9.29 (100.01)	6.45 (69.45)	4.74 (51.03)	3.63 (39.07)	2.87 (30.87)	2.32 (25.00)	1.92 (20.66)
Green	Illuminance = fc (Illuminance = lux)	120.33 (1295.24)	53.48 (575.66)	30.08 (323.81)	19.25 (207.23)	13.37 (143.91)	9.82 (105.73)	7.52 (80.95)	5.94 (63.96)	4.81 (51.80)	3.98 (42.81)
Blue	Illuminance = fc (Illuminance = lux)	26.98 (290.41)	11.99 (129.07)	6.75 (72.60)	4.32 (46.46)	3.00 (32.26)	2.20 (23.70)	1.69 (18.15)	1.33 (14.34)	1.08 (11.61)	0.89 (9.60)
White	Illuminance = fc (Illuminance = lux)	181.90 (1957.91)	80.84 (870.18)	45.47 (489.47)	29.10 (313.26)	20.21 (217.54)	14.85 (159.82)	11.37 (122.36)	8.98 (96.68)	7.28 (78.31)	6.01 (64.72)

**Wide**

	Throw Distance (d)	10' 3.05m	15' 4.57m	20' 6.09m	25' 7.62m	30' 9.14m	35' 10.67m	40' 12.19m	45' 13.72m	50' 15.24m	55' 16.76m
	Beam Size Diameter	5' - 10" 1.79m	8' - 8" 2.60m	11' - 2" 3.42m	13' - 11" 4.24m	16' - 7" 5.05m	19' - 3" 5.87m	21' - 11" 6.69m	24' - 7" 7.50m	27' - 3" 8.32m	29' - 11" 9.14m
Full on RGBW	Illuminance = fc (Illuminance = lux)	182.66 (1966.14)	81.18 (873.84)	45.67 (491.53)	29.23 (314.58)	20.30 (218.46)	14.91 (160.50)	11.42 (122.88)	9.02 (97.09)	7.31 (78.64)	6.04 (64.99)
Red	Illuminance = fc (Illuminance = lux)	27.56 (296.60)	12.25 (131.82)	6.89 (74.15)	4.41 (47.45)	3.06 (32.95)	2.25 (24.21)	1.72 (18.53)	1.36 (14.64)	1.10 (11.86)	0.91 (9.80)
Green	Illuminance = fc (Illuminance = lux)	56.26 (605.57)	25.00 (269.14)	14.07 (151.39)	9.00 (96.89)	6.25 (67.28)	4.59 (49.43)	3.52 (37.84)	2.78 (29.90)	2.25 (24.22)	1.86 (20.01)
Blue	Illuminance = fc (Illuminance = lux)	12.25 (131.82)	5.44 (58.58)	3.06 (32.95)	1.96 (21.09)	1.36 (14.64)	1.00 (10.76)	0.77 (8.23)	0.60 (6.50)	0.49 (5.27)	0.40 (4.35)
White	Illuminance = fc (Illuminance = lux)	87.07 (937.20)	38.70 (416.53)	21.77 (234.30)	13.93 (149.95)	9.67 (104.13)	7.11 (76.50)	5.44 (58.57)	4.30 (46.28)	3.48 (37.48)	2.88 (30.98)



**Photometric Performance - PHX 150W RGBW with 30-55 Degree Zoom Lens**

**Narrow**

	Throw Distance (d)	10' 3.05m	15' 4.57m	20' 6.09m	25' 7.62m	30' 9.14m	35' 10.67m	40' 12.19m	45' 13.72m	50' 15.24m	55' 16.76m
	Beam Size Diameter	5' - 6" 1.69m	8' 2.45m	10' - 7" 3.22m	13' - 1" 3.98m	15' - 7" 4.75m	18' - 1" 5.52m	20' - 7" 6.28m	23' - 2" 7.05m	25' - 8" 7.62m	28' - 2" 8.58m
Full on RGBW	Illuminance = fc (Illuminance = lux)	269.92 (2905.43)	119.97 (1291.30)	67.48 (726.35)	43.19 (464.86)	29.99 (322.82)	22.03 (237.17)	16.87 (181.58)	13.33 (143.47)	10.80 (116.21)	8.92 (96.04)
Red	Illuminance = fc (Illuminance = lux)	40.47 (435.64)	17.99 (193.61)	10.12 (108.91)	6.48 (69.70)	4.50 (48.40)	3.30 (35.56)	2.53 (27.22)	2.00 (21.51)	1.62 (17.42)	1.34 (14.40)
Green	Illuminance = fc (Illuminance = lux)	88.34 (950.89)	39.26 (422.61)	22.09 (237.72)	14.13 (152.14)	9.82 (105.65)	7.21 (77.62)	5.52 (59.43)	4.36 (46.95)	3.53 (38.03)	2.92 (31.43)
Blue	Illuminance = fc (Illuminance = lux)	20.54 (221.13)	9.13 (98.28)	5.14 (55.28)	3.29 (35.38)	2.28 (24.57)	1.68 (18.05)	1.28 (13.82)	1.01 (10.92)	0.82 (8.84)	0.68 (7.31)
White	Illuminance = fc (Illuminance = lux)	127.99 (1377.68)	56.89 (612.30)	32.00 (344.42)	20.48 (220.42)	14.22 (153.07)	10.45 (112.46)	8.00 (86.10)	6.32 (68.03)	5.12 (55.10)	4.23 (45.54)

**Medium**

	Throw Distance (d)	10' 3.05m	15' 4.57m	20' 6.09m	25' 7.62m	30' 9.14m	35' 10.67m	40' 12.19m	45' 13.72m	50' 15.24m	55' 16.76m
	Beam Size Diameter	7' - 1" 2.16m	10' - 5" 3.17m	13' - 8" 4.17m	17' 5.18m	20' - 3" 6.18m	23' - 7" 7.19m	26' - 11" 8.19m	30' - 2" 9.20m	33' - 6" 10.20m	36' - 9" 11.21m
Full on RGBW	Illuminance = fc (Illuminance = lux)	179.50 (1932.11)	79.78 (8558.71)	44.87 (483.02)	28.72 (309.13)	19.94 (214.67)	14.65 (157.72)	11.22 (120.75)	8.86 (95.41)	7.18 (77.28)	5.93 (63.87)
Red	Illuminance = fc (Illuminance = lux)	26.91 (289.70)	11.96 (128.75)	6.73 (72.42)	4.31 (46.35)	2.99 (32.18)	2.20 (23.64)	1.68 (18.10)	1.33 (14.30)	1.08 (11.58)	0.89 (9.57)
Green	Illuminance = fc (Illuminance = lux)	58.75 (632.34)	26.11 (281.04)	14.69 (158.08)	9.40 (101.17)	6.53 (70.26)	4.80 (51.61)	3.67 (39.52)	2.90 (31.22)	2.35 (25.29)	1.94 (20.90)
Blue	Illuminance = fc (Illuminance = lux)	13.66 (147.05)	6.07 (65.35)	3.42 (36.76)	2.19 (23.76)	1.52 (16.33)	1.12 (12.00)	0.85 (9.19)	0.67 (7.26)	0.55 (5.88)	0.45 (4.86)
White	Illuminance = fc (Illuminance = lux)	85.11 (916.16)	37.83 (407.18)	21.28 (229.04)	13.62 (146.58)	9.46 (101.79)	6.95 (74.78)	5.32 (57.26)	4.20 (45.24)	3.40 (36.24)	2.81 (30.28)

**Wide**

	Throw Distance (d)	10' 3.05m	15' 4.57m	20' 6.09m	25' 7.62m	30' 9.14m	35' 10.67m	40' 12.19m	45' 13.72m	50' 15.24m	55' 16.764m
	Beam Size Diameter	8' - 10" 2.68m	13' 3.95m	17' - 1" 5.22m	21' - 3" 6.48m	25' - 5" 7.75m	29' - 7" 9.01m	33' - 9" 10.28m	37' - 10" 11.54m	42' 12.81m	46' - 2" 14.08m
Full on RGBW	Illuminance = fc (Illuminance = lux)	95.04 (1022.95)	42.24 (454.64)	23.76 (255.73)	15.21 (163.67)	10.56 (113.66)	7.76 (83.50)	5.94 (63.93)	4.69 (50.51)	3.80 (40.91)	3.14 (33.81)
Red	Illuminance = fc (Illuminance = lux)	15.20 (163.64)	6.76 (72.72)	3.80 (40.91)	2.43 (26.18)	1.69 (18.18)	1.24 (13.35)	0.95 (10.22)	0.75 (8.08)	0.61 (6.54)	0.50 (5.40)
Green	Illuminance = fc (Illuminance = lux)	32.05 (344.97)	14.24 (153.32)	8.01 (86.24)	5.13 (55.19)	3.56 (38.33)	2.62 (28.16)	2.00 (21.56)	1.58 (17.03)	1.28 (13.79)	1.06 (11.40)
Blue	Illuminance = fc (Illuminance = lux)	6.78 (72.97)	3.01 (32.43)	1.69 (18.24)	1.08 (11.67)	0.75 (8.10)	0.55 (5.95)	0.42 (4.56)	0.33 (3.60)	0.27 (2.91)	0.22 (2.41)
White	Illuminance = fc (Illuminance = lux)	48.28 (519.67)	21.46 (230.96)	12.07 (129.91)	7.72 (83.14)	5.36 (57.74)	3.94 (42.42)	3.02 (32.47)	2.38 (25.66)	1.93 (20.78)	1.60 (17.17)

**Photometric Performance - PHX 150W 3000K with 15-35 Degree Zoom Lens**

**Narrow**

Throw Distance (d)	10' 3.05m	15' 4.57m	20' 6.09m	25' 7.62m	30' 9.14m	35' 10.67m	40' 12.19m	45' 13.72m	50' 15.24m	55' 16.76m
Beam Size Diameter	2' - 9" 0.85m	3' - 11" 1.19m	5' 1.54m	6' - 2" 1.89m	7' - 4" 2.24m	8' - 6" 2.58m	9' - 7" 2.93m	10' - 9" 3.28m	11' - 11" 3.63m	13' 3.97m
Illuminance = fc (Illuminance = lux)	1156.38 (12447.12)	513.94 (5532.05)	289.09 (3111.77)	185.02 (1991.53)	128.49 (1383.01)	94.40 (1016.09)	72.27 (777.94)	57.10 (614.67)	46.26 (497.88)	38.23 (411.47)

**Medium**

Throw Distance (d)	10' 3.05m	15' 4.57m	20' 6.09m	25' 7.62m	30' 9.14m	35' 10.67m	40' 12.19m	45' 13.72m	50' 15.24m	55' 16.76m
Beam Size Diameter	4' - 3" 1.30m	6' - 2" 1.88m	8' - 1" 2.46m	9' - 11" 3.03m	11' - 10" 3.61m	13' - 9" 4.18m	15' - 7" 4.76m	17' - 6" 5.34m	19' - 5" 5.91m	21' - 3" 6.49m
Illuminance = fc (Illuminance = lux)	587.45 (6323.29)	261.09 (2810.35)	146.86 (1580.82)	93.99 (1011.72)	65.27 (702.58)	47.96 (516.18)	36.72 (395.20)	29.01 (312.26)	23.50 (252.93)	19.42 (209.03)

**Wide**

Throw Distance (d)	10' 3.05m	15' 4.57m	20' 6.09m	25' 7.62m	30' 9.14m	35' 10.67m	40' 12.19m	45' 13.72m	50' 15.24m	55' 16.76m
Beam Size Diameter	5' - 10" 1.79m	8' - 6" 2.60m	11' - 2" 3.42m	13' - 11" 4.24m	16' - 7" 5.05m	19' - 3" 5.87m	21' - 11" 6.69m	24' - 7" 7.50m	27' - 3" 8.32m	29' - 11" 9.14m
Illuminance = fc (Illuminance = lux)	278.57 (2998.45)	123.81 (1332.64)	69.64 (749.61)	44.57 (479.75)	30.95 (333.16)	22.74 (244.77)	17.41 (187.40)	13.76 (148.07)	11.14 (119.93)	9.21 (99.12)

**Photometric Performance - PHX 150W 3000K with 30-55 Degree Zoom Lens**

**Narrow**

Throw Distance (d)	10' 3.05m	15' 4.57m	20' 6.09m	25' 7.62m	30' 9.14m	35' 10.67m	40' 12.19m	45' 13.72m	50' 15.24m	55' 16.76m
Beam Size Diameter	5' - 6" 1.69m	8' 2.45m	10' - 7" 3.22m	13' - 1" 3.98m	15' - 7" 4.75m	18' - 1" 5.52m	20' - 7" 6.28m	23' - 2" 7.05m	25' - 8" 7.82m	28' - 2" 8.58m
Illuminance = fc (Illuminance = lux)	426.05 (4585.98)	189.36 (2038.21)	106.51 (1146.49)	68.17 (733.75)	47.34 (509.55)	34.78 (374.36)	26.63 (286.62)	21.04 (226.62)	17.04 (183.43)	14.08 (151.60)

**Medium**

Throw Distance (d)	10' 3.05m	15' 4.57m	20' 6.09m	25' 7.62m	30' 9.14m	35' 10.67m	40' 12.19m	45' 13.72m	50' 15.24m	55' 16.76m
Beam Size Diameter	7' - 4" 2.16m	10' - 5" 3.17m	13' - 8" 4.17m	17' 5.18m	20' - 3" 6.18m	23' - 7" 7.19m	26' - 11" 8.19m	30' - 2" 9.20m	33' - 6" 10.20m	36' - 9" 11.21m
Illuminance = fc (Illuminance = lux)	283.32 (3049.68)	125.92 (1355.41)	70.83 (762.42)	45.33 (487.94)	31.48 (338.85)	23.13 (248.95)	17.71 (190.60)	13.99 (150.60)	11.33 (121.98)	9.37 (100.81)

**Wide**

Throw Distance (d)	10' 3.05m	15' 4.57m	20' 6.09m	25' 7.62m	30' 9.14m	35' 10.67m	40' 12.19m	45' 13.72m	50' 15.24m	55' 16.76m
Beam Size Diameter	8' - 10" 2.68m	13' 3.95m	17.1' 5.22m	21' - 3" 6.48m	25' - 5" 7.75m	29' - 7" 9.01m	33' - 9" 10.28m	37' - 10" 11.54m	42' 12.81m	46' - 2" 14.08m
Illuminance = fc (Illuminance = lux)	156.77 (1687.48)	69.68 (749.99)	39.19 (421.87)	25.08 (269.99)	17.42 (187.49)	12.80 (137.75)	9.80 (105.46)	7.74 (83.33)	6.27 (67.49)	5.18 (55.78)

**Photometric Performance - PHX 150W 5600K with 15-35 Degree Zoom Lens**

**Narrow**

Throw Distance (d)	10' 3.05m	15' 4.57m	20' 6.09m	25' 7.62m	30' 9.14m	35' 10.67m	40' 12.19m	45' 13.72m	50' 15.24m	55' 16.76m
Beam Size Diameter	2' - 9" 0.85m	3' - 11" 1.19m	5' 1.54m	6' - 2" 1.89m	7' - 4" 2.24m	8' - 6" 2.58m	9' - 7" 2.93m	10' - 9" 3.28m	11' - 11" 3.63m	13' 3.97m
Illuminance = fc (Illuminance = lux)	1333.99 (14358.90)	592.88 (6381.73)	333.50 (3589.72)	213.44 (2297.42)	148.22 (1595.43)	108.90 (1172.15)	83.37 (897.43)	65.88 (709.08)	53.36 (574.35)	44.10 (474.67)

**Medium**

Throw Distance (d)	10' 3.05m	15' 4.57m	20' 6.09m	25' 7.62m	30' 9.14m	35' 10.67m	40' 12.19m	45' 13.72m	50' 15.24m	55' 16.76m
Beam Size Diameter	4' - 3" 1.30m	6' - 2" 1.88m	8' - 1" 2.46m	9' - 11" 3.03m	11' - 10" 3.61m	13' - 9" 4.18m	15' - 7" 4.76m	17' - 6" 5.34m	19' - 5" 5.91m	21' - 3" 6.49m
Illuminance = fc (Illuminance = lux)	677.68 (7294.50)	301.19 (3242.00)	169.42 (1823.62)	108.43 (1167.12)	75.30 (810.50)	55.32 (595.47)	42.36 (455.90)	33.47 (360.22)	27.11 (291.78)	22.40 (241.14)

**Wide**

Throw Distance (d)	10' 3.05m	15' 4.57m	20' 6.09m	25' 7.62m	30' 9.14m	35' 10.67m	40' 12.19m	45' 13.72m	50' 15.24m	55' 16.76m
Beam Size Diameter	5' - 10" 1.79m	8' - 6" 2.60m	11' - 2" 3.42m	13' - 11" 4.24m	16' - 7" 5.05m	19' - 3" 5.87m	21' - 11" 6.69m	24' - 7" 7.50m	27' - 3" 8.32m	29' - 11" 9.14m
Illuminance = fc (Illuminance = lux)	321.35 (3458.99)	142.82 (1537.33)	80.34 (864.74)	51.42 (553.43)	35.71 (384.33)	26.23 (282.36)	20.08 (216.18)	15.87 (170.81)	12.85 (138.35)	10.62 (114.34)

**Photometric Performance - PHX 150W 5600K with 30-55 Degree Zoom Lens**

**Narrow**

Throw Distance (d)	10' 3.05m	15' 4.57m	20' 6.09m	25' 7.62m	30' 9.14m	35' 10.67m	40' 12.19m	45' 13.72m	50' 15.24m	55' 16.76m
Beam Size Diameter	5' - 6" 1.69m	8' 2.45m	10' - 7" 3.22m	13' - 1" 3.98m	15' - 7" 4.75m	18' - 1" 5.52m	20' - 7" 6.28m	23' - 2" 7.05m	25' - 8" 7.82m	28' - 2" 8.58m
Illuminance = fc (Illuminance = lux)	491.49 (5290.36)	218.44 (2351.27)	122.87 (1322.59)	78.64 (846.45)	54.61 (587.81)	40.12 (431.86)	30.72 (330.64)	24.27 (261.25)	19.66 (211.61)	16.25 (174.88)

**Medium**

Throw Distance (d)	10' 3.05m	15' 4.57m	20' 6.09m	25' 7.62m	30' 9.14m	35' 10.67m	40' 12.19m	45' 13.72m	50' 15.24m	55' 16.76m
Beam Size Diameter	7' - 1" 2.16m	10' - 5" 3.17m	13' - 8" 4.17m	17' 5.18m	20' - 3" 6.18m	23' - 7" 7.19m	26' - 11" 8.19m	30' - 2" 9.20m	33' - 6" 10.20m	36' - 9" 11.21m
Illuminance = fc (Illuminance = lux)	326.84 (3518.09)	145.26 (1563.59)	81.71 (879.52)	52.29 (562.89)	36.32 (390.89)	26.68 (287.19)	20.43 (219.88)	16.14 (173.73)	13.07 (140.72)	10.80 (116.30)

**Wide**

Throw Distance (d)	10' 3.05m	15' 4.57m	20' 6.09m	25' 7.62m	30' 9.14m	35' 10.67m	40' 12.19m	45' 13.72m	50' 15.24m	55' 16.76m
Beam Size Diameter	8' - 10" 2.68m	13' 3.95m	17.1' 5.22m	21' - 3" 6.48m	25' - 5" 7.75m	29' - 7" 9.01m	33' - 9" 10.28m	37' - 10" 11.54m	42' 12.81m	46' - 2" 14.08m
Illuminance = fc (Illuminance = lux)	180.85 (1946.67)	80.38 (865.18)	45.21 (486.66)	28.94 (311.46)	20.09 (216.29)	14.76 (158.91)	11.30 (121.66)	8.93 (96.13)	7.23 (77.86)	5.98 (64.35)

**Photometric Performance - PHX 150W Tunable White (4200K) with 15-35 Degree Zoom Lens**

**Narrow (3K & 5.6K Channels at Full, 4200K)**

Throw Distance (d)	10' 3.05m	15' 4.57m	20' 6.09m	25' 7.62m	30' 9.14m	35' 10.67m	40' 12.19m	45' 13.72m	50' 15.24m	55' 16.76m
Beam Size Diameter	2' - 9" 0.85m	3' - 11" 1.19m	5' 1.54m	6' - 2" 1.89m	7' - 4" 2.24m	8' - 6" 2.58m	9' - 7" 2.93m	10' - 9" 3.28m	11' - 11" 3.63m	13' 3.97m
Illuminance = fc (Illuminance = lux)	1236.19 (13306.23)	549.42 (5913.88)	309.05 (3326.55)	197.79 (2128.99)	137.35 (1478.47)	100.91 (1086.22)	77.26 (831.63)	61.05 (657.09)	49.45 (532.24)	40.87 (439.87)

**Medium (3K & 5.6K Channels at Full, 4200K)**

Throw Distance (d)	10' 3.05m	15' 4.57m	20' 6.09m	25' 7.62m	30' 9.14m	35' 10.67m	40' 12.19m	45' 13.72m	50' 15.24m	55' 16.76m
Beam Size Diameter	4' - 3" 1.30m	6' - 2" 1.88m	8' - 1" 2.46m	9' - 11" 3.03m	11' - 10" 3.61m	13' - 9" 4.18m	15' - 7" 4.76m	17' - 6" 5.34m	19' - 5" 5.91m	21' - 3" 6.49m
Illuminance = fc (Illuminance = lux)	628.00 (6759.73)	279.11 (3004.32)	157.00 (1689.93)	100.48 (1081.55)	69.78 (751.08)	51.27 (548.81)	39.25 (422.48)	31.01 (333.81)	25.12 (270.38)	20.76 (223.46)

**Wide (3K & 5.6K Channels at Full, 4200K)**

Throw Distance (d)	10' 3.05m	15' 4.57m	20' 6.09m	25' 7.62m	30' 9.14m	35' 10.67m	40' 12.19m	45' 13.72m	50' 15.24m	55' 16.76m
Beam Size Diameter	5' - 10" 1.79m	8' - 6" 2.60m	11' - 2" 3.42m	13' - 11" 4.24m	16' - 7" 5.05m	19' - 3" 5.87m	21' - 11" 6.69m	24' - 7" 7.50m	27' - 3" 8.32m	29' - 11" 9.14m
Illuminance = fc (Illuminance = lux)	297.79 (3205.41)	132.35 (1424.62)	74.45 (801.35)	47.65 (512.86)	33.09 (356.15)	24.31 (261.66)	18.61 (200.33)	14.71 (158.29)	11.91 (128.21)	9.84 (105.96)

**Photometric Performance - PHX 150W Tunable White (3000K) with 15-35 Degree Zoom Lens**

**Narrow (3K Channel at Full, 3000K)**

Throw Distance (d)	10' 3.05m	15' 4.57m	20' 6.09m	25' 7.62m	30' 9.14m	35' 10.67m	40' 12.19m	45' 13.72m	50' 15.24m	55' 16.76m
Beam Size Diameter	2' - 9" 0.85m	3' - 11" 1.19m	5' 1.54m	6' - 2" 1.89m	7' - 4" 2.24m	8' - 6" 2.58m	9' - 7" 2.93m	10' - 9" 3.28m	11' - 11" 3.63m	13' 3.97m
Illuminance = fc (Illuminance = lux)	523.36 (5633.36)	232.60 (2503.71)	130.84 (1408.34)	83.74 (901.33)	58.15 (625.92)	42.72 (459.86)	32.71 (352.08)	25.84 (278.19)	20.93 (225.33)	17.30 (186.22)

**Medium (3K Channel at Full, 3000K)**

Throw Distance (d)	10' 3.05m	15' 4.57m	20' 6.09m	25' 7.62m	30' 9.14m	35' 10.67m	40' 12.19m	45' 13.72m	50' 15.24m	55' 16.76m
Beam Size Diameter	4' - 3" 1.30m	6' - 2" 1.88m	8' - 1" 2.46m	9' - 11" 3.03m	11' - 10" 3.61m	13' - 9" 4.18m	15' - 7" 4.76m	17' - 6" 5.34m	19' - 5" 5.91m	21' - 3" 6.49m
Illuminance = fc (Illuminance = lux)	265.87 (2861.82)	118.17 (1271.92)	66.47 (715.45)	42.54 (457.89)	29.54 (317.98)	21.70 (233.61)	16.62 (178.86)	13.13 (141.47)	10.63 (114.47)	8.79 (94.60)

**Wide (3K Channel at Full, 3000K)**

Throw Distance (d)	10' 3.05m	15' 4.57m	20' 6.09m	25' 7.62m	30' 9.14m	35' 10.67m	40' 12.19m	45' 13.72m	50' 15.24m	55' 16.76m
Beam Size Diameter	5' - 10" 1.79m	8' - 6" 2.60m	11' - 2" 3.42m	13' - 11" 4.24m	16' - 7" 5.05m	19' - 3" 5.87m	21' - 11" 6.69m	24' - 7" 7.50m	27' - 3" 8.32m	29' - 11" 9.14m
Illuminance = fc (Illuminance = lux)	124.91 (1344.52)	55.52 (597.56)	31.23 (336.13)	19.99 (215.12)	13.88 (149.39)	10.20 (109.75)	7.81 (84.03)	6.17 (66.39)	5.00 (53.78)	4.13 (44.44)



**Photometric Performance - PHX 150W Tunable White (5600K) with 15-35 Degree Zoom Lens**

**Narrow (5.6K Channel at Full, 5600K)**

Throw Distance (d)	10' 3.05m	15' 4.57m	20' 6.09m	25' 7.62m	30' 9.14m	35' 10.67m	40' 12.19m	45' 13.72m	50' 15.24m	55' 16.76m
Beam Size Diameter	2' - 9" 0.85m	3' - 11" 1.19m	5' 1.54m	6' - 2" 1.89m	7' - 4" 2.24m	8' - 6" 2.58m	9' - 7" 2.93m	10' - 9" 3.28m	11' - 11" 3.63m	13' 3.97m
Illuminance = fc (Illuminance = lux)	728.47 (7841.17)	323.76 (3484.96)	182.12 (1960.29)	116.56 (1254.58)	80.94 (871.24)	59.47 (640.09)	45.53 (490.07)	35.97 (387.21)	29.14 (313.64)	24.08 (259.21)

**Medium (5.6K Channel at Full, 5600K)**

Throw Distance (d)	10' 3.05m	15' 4.57m	20' 6.09m	25' 7.62m	30' 9.14m	35' 10.67m	40' 12.19m	45' 13.72m	50' 15.24m	55' 16.76m
Beam Size Diameter	4' - 3" 1.30m	6' - 2" 1.88m	8' - 1" 2.46m	9' - 11" 3.03m	11' - 10" 3.61m	13' - 9" 4.18m	15' - 7" 4.76m	17' - 6" 5.34m	19' - 5" 5.91m	21' - 3" 6.49m
Illuminance = fc (Illuminance = lux)	370.07 (3983.41)	164.48 (1770.40)	92.52 (995.85)	59.21 (637.34)	41.12 (442.60)	30.21 (325.17)	23.13 (248.96)	18.28 (196.71)	14.80 (159.33)	12.23 (131.68)

**Wide (5.6K Channel at Full, 5600K)**

Throw Distance (d)	10' 3.05m	15' 4.57m	20' 6.09m	25' 7.62m	30' 9.14m	35' 10.67m	40' 12.19m	45' 13.72m	50' 15.24m	55' 16.76m
Beam Size Diameter	5' - 10" 1.79m	8' - 6" 2.60m	11' - 2" 3.42m	13' - 11" 4.24m	16' - 7" 5.05m	19' - 3" 5.87m	21' - 11" 6.69m	24' - 7" 7.50m	27' - 3" 8.32m	29' - 11" 9.14m
Illuminance = fc (Illuminance = lux)	178.05 (1916.49)	79.13 (851.77)	44.51 (479.12)	28.49 (306.63)	19.78 (212.94)	14.53 (156.44)	11.13 (119.78)	8.79 (94.64)	7.12 (76.65)	5.89 (63.35)

**Photometric Performance - PHX 150W Tunable White (4200K) with 30-55 Degree Zoom Lens**

**Narrow (3K & 5.6K Channels at Full, 4200K)**

Throw Distance (d)	10' 3.05m	15' 4.57m	20' 6.09m	25' 7.62m	30' 9.14m	35' 10.67m	40' 12.19m	45' 13.72m	50' 15.24m	55' 16.76m
Beam Size Diameter	5' - 6" 1.69m	8' 2.45m	10' - 7" 3.22m	13' - 1" 3.98m	15' - 7" 4.75m	18' - 1" 5.52m	20' - 7" 6.28m	23' - 2" 7.05m	25' - 8" 7.82m	28' - 2" 8.58m
Illuminance = fc (Illuminance = lux)	455.46 (4902.51)	202.43 (2178.89)	113.86 (1225.62)	72.87 (784.40)	50.61 (544.72)	37.18 (400.20)	28.47 (306.40)	22.49 (242.09)	18.22 (196.10)	15.06 (162.06)

**Medium (3K & 5.6K Channels at Full, 4200K)**

Throw Distance (d)	10' 3.05m	15' 4.57m	20' 6.09m	25' 7.62m	30' 9.14m	35' 10.67m	40' 12.19m	45' 13.72m	50' 15.24m	55' 16.76m
Beam Size Diameter	7' - 1" 2.16m	10' - 5" 3.17m	13' - 8" 4.17m	17' 5.18m	20' - 3" 6.18m	23' - 7" 7.19m	26' - 11" 8.19m	30' - 2" 9.20m	33' - 6" 10.20m	36' - 9" 11.21m
Illuminance = fc (Illuminance = lux)	302.88 (3260.17)	134.61 (1448.96)	75.72 (815.04)	48.46 (521.62)	33.65 (362.24)	24.72 (266.13)	18.93 (203.76)	14.96 (160.99)	12.12 (130.40)	10.01 (107.77)

**Wide (3K & 5.6K Channels at Full, 4200K)**

Throw Distance (d)	10' 3.05m	15' 4.57m	20' 6.09m	25' 7.62m	30' 9.14m	35' 10.67m	40' 12.19m	45' 13.72m	50' 15.24m	55' 16.76m
Beam Size Diameter	8' - 10" 2.68m	13' 3.95m	17' - 1" 5.22m	21' - 3" 6.48m	25' - 5" 7.75m	29' - 7" 9.01m	33' - 9" 10.28m	37' - 10" 11.54m	42' 12.81m	46' - 2" 14.08m
Illuminance = fc (Illuminance = lux)	167.59 (1803.95)	74.49 (801.75)	41.90 (450.98)	26.81 (288.63)	18.62 (200.43)	13.68 (147.26)	10.47 (112.74)	8.28 (89.08)	6.70 (72.15)	5.54 (59.63)

**Photometric Performance - PHX 150W Tunable White (3000K) with 30-55 Degree Zoom Lens**

**Narrow (3K Channel at Full, 3000K)**

Throw Distance (d)	10' 3.05m	15' 4.57m	20' 6.09m	25' 7.62m	30' 9.14m	35' 10.67m	40' 12.19m	45' 13.72m	50' 15.24m	55' 16.76m
Beam Size Diameter	5' - 6" 1.69m	8' 2.45m	10' - 7" 3.22m	13' - 1" 3.98m	15' - 7" 4.75m	18' - 1" 5.52m	20' - 7" 6.28m	23' - 2" 7.05m	25' - 8" 7.82m	28' - 2" 8.58m
Illuminance = fc (Illuminance = lux)	194.01 (2088.34)	86.23 (928.15)	48.50 (522.08)	31.04 (334.13)	21.56 (232.03)	15.84 (170.47)	12.13 (130.52)	9.58 (103.12)	7.76 (83.53)	6.41 (69.03)

**Medium (3K Channel at Full, 3000K)**

Throw Distance (d)	10' 3.05m	15' 4.57m	20' 6.09m	25' 7.62m	30' 9.14m	35' 10.67m	40' 12.19m	45' 13.72m	50' 15.24m	55' 16.76m
Beam Size Diameter	7' - 1" 2.16m	10' - 5" 3.17m	13' - 8" 4.17m	17' 5.18m	20' - 3" 6.18m	23' - 7" 7.19m	26' - 11" 8.19m	30' - 2" 9.20m	33' - 6" 10.20m	36' - 9" 11.21m
Illuminance = fc (Illuminance = lux)	129.02 (1388.75)	57.34 (617.22)	32.25 (347.18)	20.64 (222.19)	14.34 (154.30)	10.53 (113.36)	8.06 (86.79)	6.37 (68.58)	5.16 (55.54)	4.27 (45.90)

**Wide (3K Channel at Full, 3000K)**

Throw Distance (d)	10' 3.05m	15' 4.57m	20' 6.09m	25' 7.62m	30' 9.14m	35' 10.67m	40' 12.19m	45' 13.72m	50' 15.24m	55' 16.76m
Beam Size Diameter	8' - 10" 2.68m	13' 3.95m	17' - 1" 5.22m	21' - 3" 6.48m	25' - 5" 7.75m	29' - 7" 9.01m	33' - 9" 10.28m	37' - 10" 11.54m	42' 12.81m	46' - 2" 14.08m
Illuminance = fc (Illuminance = lux)	70.59 (759.78)	31.37 (337.68)	17.65 (189.94)	11.29 (121.56)	7.84 (84.42)	5.76 (62.02)	4.41 (47.48)	3.49 (37.52)	2.82 (30.39)	2.33 (25.11)

**Photometric Performance - PHX 150W Tunable White (5600K) with 30-55 Degree Zoom Lens**

**Narrow (5.6K Channel at Full, 5600K)**

Throw Distance (d)	10' 3.05m	15' 4.57m	20' 6.09m	25' 7.62m	30' 9.14m	35' 10.67m	40' 12.19m	45' 13.72m	50' 15.24m	55' 16.76m
Beam Size Diameter	5' - 6" 1.69m	8' 2.45m	10' - 7" 3.22m	13' - 1" 3.98m	15' - 7" 4.75m	18' - 1" 5.52m	20' - 7" 6.28m	23' - 2" 7.05m	25' - 8" 7.82m	28' - 2" 8.58m
Illuminance = fc (Illuminance = lux)	269.13 (2896.94)	119.62 (1287.53)	67.28 (724.23)	43.06 (463.51)	29.90 (321.88)	21.97 (236.48)	16.82 (181.05)	13.29 (143.05)	10.77 (115.87)	8.90 (95.76)

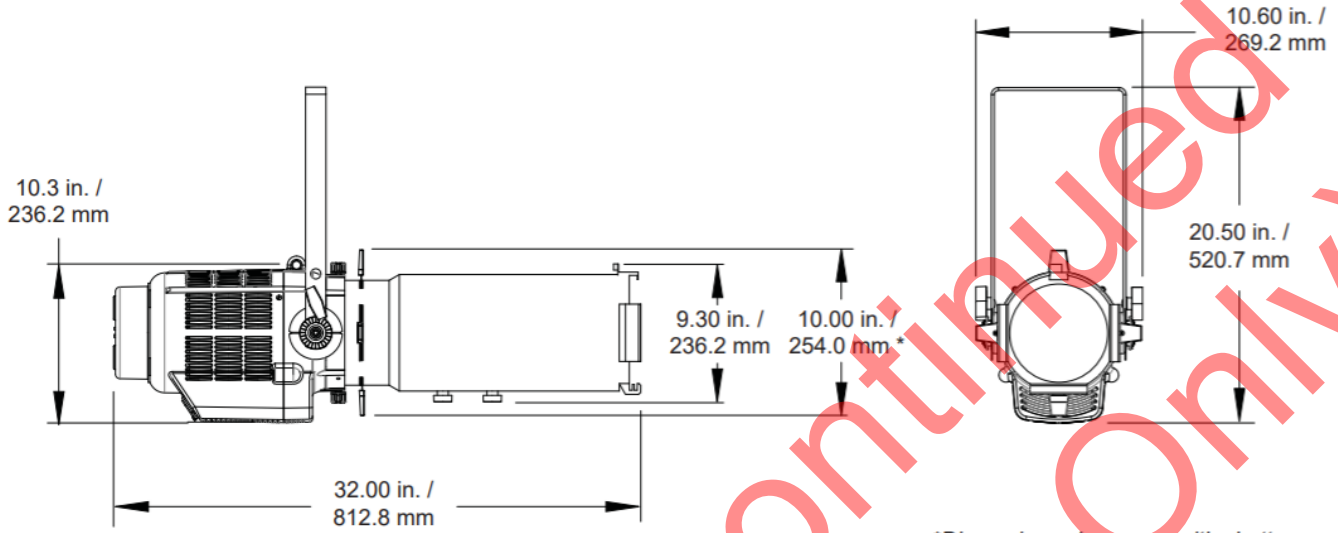
**Medium (5.6K Channel at Full, 5600K)**

Throw Distance (d)	10' 3.05m	15' 4.57m	20' 6.09m	25' 7.62m	30' 9.14m	35' 10.67m	40' 12.19m	45' 13.72m	50' 15.24m	55' 16.76m
Beam Size Diameter	7' - 1" 2.16m	10' - 5" 3.17m	13' - 8" 4.17m	17' 5.18m	20' - 3" 6.18m	23' - 7" 7.19m	26' - 11" 8.19m	30' - 2" 9.20m	33' - 6" 10.20m	36' - 9" 11.21m
Illuminance = fc (Illuminance = lux)	178.97 (1926.46)	79.54 (856.20)	44.74 (481.61)	28.64 (308.23)	19.89 (214.05)	14.61 (157.26)	11.19 (120.40)	8.84 (95.13)	7.16 (77.05)	5.92 (63.68)

**Wide (5.6K Channel at Full, 5600K)**

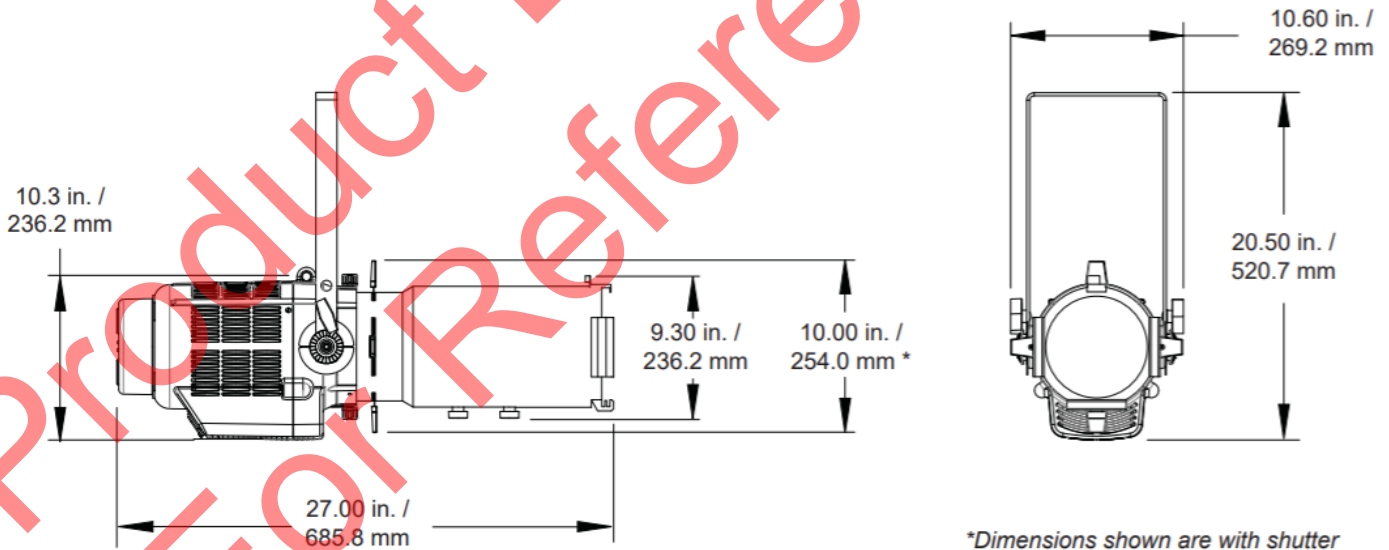
Throw Distance (d)	10' 3.05m	15' 4.57m	20' 6.09m	25' 7.62m	30' 9.14m	35' 10.67m	40' 12.19m	45' 13.72m	50' 15.24m	55' 16.76m
Beam Size Diameter	8' - 10" 2.68m	13' 3.95m	17' - 1" 5.22m	21' - 3" 6.48m	25' - 5" 7.75m	29' - 7" 9.01m	33' - 9" 10.28m	37' - 10" 11.54m	42' 12.81m	46' - 2" 14.08m
Illuminance = fc (Illuminance = lux)	99.18 (1067.51)	44.08 (474.45)	24.79 (266.87)	15.87 (170.80)	11.02 (118.61)	8.10 (87.14)	6.20 (66.71)	4.90 (52.71)	3.97 (42.70)	3.28 (35.28)

Phoenix2 15-35 Degree Zoom



\*Dimensions shown are with shutter blades fully retracted (pushed in).

Phoenix2 30-55 Degree Zoom



\*Dimensions shown are with shutter blades fully retracted (pushed in).

## Specifications

<b>Materials:</b>	Corrosion-resistant materials and hardware
<b>Control:</b>	DMX/RDM
<b>Light Engine:</b>	Available in RGBA, RGBW, 3000K, 5600K, and 3000K/5600K (Tunable White)
<b>Beam Lumens:</b>	See photometrics
<b>CRI (3K):</b>	94
<b>CQS (3k):</b>	92
<b>TM-30-15 Rf (3k):</b>	91
<b>TM-30-15 Rg (3k):</b>	98
<b>Rated LED Life:</b>	Array rating >50,000 hours to L70
<b>Input Voltage:</b>	100-240 VAC 50/60 Hz
<b>Watts:</b>	150
<b>Current Draw:</b>	1.25A at 120VAC / 0.65A at 230VAC
<b>LED Engine Cooling:</b>	Convection, passive, silent
<b>Environment:</b>	0 - 40°C (32 - 104°F) with humidity of 5-95% non-condensing
<b>Weight:</b>	27.15 lbs. (12.34 kg.)
<b>Body Color:</b>	Black or White
<b>Compliance:</b>	cETLus listed for indoor use and CE marked
<b>Warranty:</b>	Five (5) years and One (1) day
<b>Support:</b>	Supported Forever - free phone and online tech support for the life of your product.

*Note: There are many aftermarket accessories for Altman Lighting products available through third-party suppliers. When considering these aftermarket accessories, we suggest that you consult with your Altman Regional Sales Manager beforehand regarding capability and effects on product performance.*



## Ordering Information

### PHX1-(LED ARRAY)-(LENS TYPE)-(FINISH COLOR)

<b>Model</b>	PHX1 (PHX 150W LED Zoom Profile)
<b>LED Array:</b>	RGBA (RGBA), RGBW (RGBW), 3K (3000K), 5K 5600K or 3K5K (3000K/5600K Tunable White)
<b>Lens Type:</b>	15Z (15°-35° zoom) or 30Z (30°-55° zoom)
<b>Body Color:</b>	Black (B) or White (W)

*Note: Each unit ordered includes a 7-1/2" x 7-1/2" Color Frame (6-CFB), C-Clamp (510), 36" Black Safety Cable (SC-36-BK), PHX Soft Focus Lens with A-Size Pattern Holder (PHX-SFLGSA), and 5-Foot AC Cable PowerCON to Edison (PCL-PBG-12-\*).*

## Accessories

<b>6-CFB</b>	Color Frame, 7-1/2" x 6-1/2"
<b>510</b>	Malleable Iron Pipe Clamp
<b>510-HD</b>	Heavy Duty Malleable Iron Pipe Clamp
<b>SC-36-BK</b>	36" Black Safety Cable with Spring Clamp
<b>6-DN</b>	7-1/2" x 7-1/2" Donut, Black with 3" Hole
<b>PDII</b>	Phoenix Drop In Iris
<b>PHX-SFLGSA</b>	PHX Soft Focus lens with A Size Pattern Holder
<b>PHX-PHGSA</b>	A Size Steel Pattern Holder (100mm OD / 75mm IA)
<b>PHX-PHGSB</b>	B Size Steel Pattern Holder (86mm OD / 64.5mm IA)
<b>PHX-PHGSB-GLS</b>	B Size Glass Pattern Holder (82mm OD / 64.5mm IA)
<b>PHX-PHGS86-GLS</b>	B Size Glass Pattern Holder (86mm OD / 64.5mm IA)
<b>PHX-PHISB</b>	B Size Steel Pattern Holder (86mm OD / 64.5mm IA) for Iris Slot
<b>PHX-PHISA-GLS</b>	A Size Glass Pattern Holder (100mm OD / 75mm IA) for Iris Slot
<b>PHX-PHISB-GLS</b>	B Size Glass Pattern Holder (82mm OD / 64.5mm IA) for Iris Slot
<b>PHX-PHIS86-GLS</b>	B Size Glass Pattern Holder (86mm OD / 64.5mm IA) for Iris Slot
<b>PCL-PBG-12-*</b>	5' 20A PowerCON with Parallel Blade U Ground (Edison)
<b>PCL-2P&amp;G-12-5-*</b>	5' 20A PowerCON with 2P&G Stage Pin Connector, Male
<b>PCL-TLG-12-5-*</b>	5' 20A PowerCON with L5-20P Twist Locking Ground Connector, Male
<b>PCL-BARE-12-5-*</b>	5' 20A PowerCON with Bare End Lead

*Note: \*=W for White Cable, Black is standard and no suffix is required*