

GALLERY GOBO ROTATOR ACCESSORY

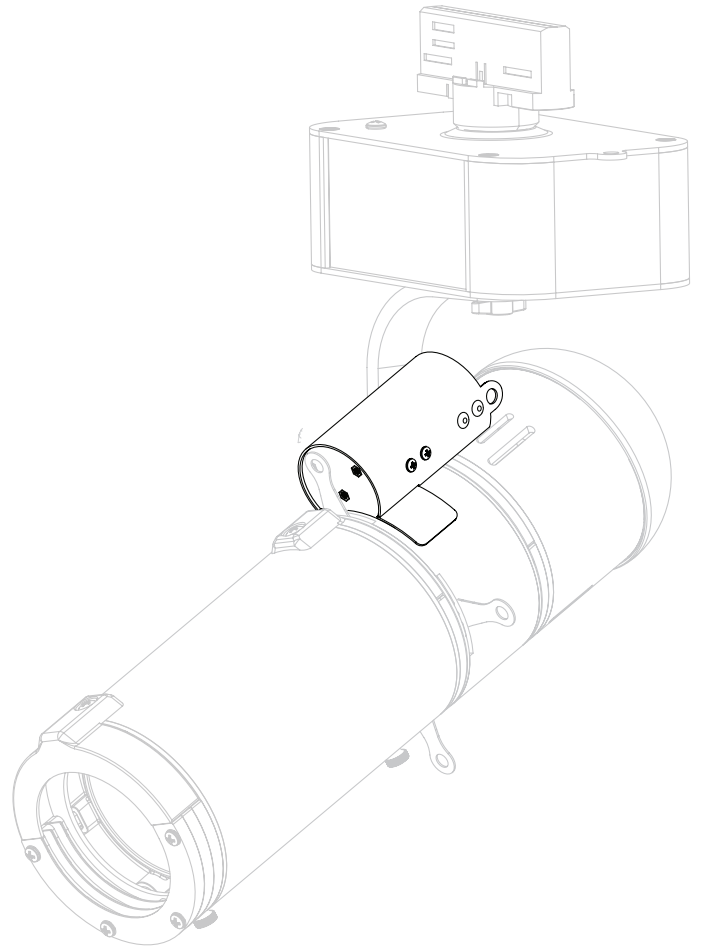
For Use With Gallery LED Zoom Luminaires

The Gallery Gobo Rotator is sleek purpose-built single Gobo rotator for the Altman Gallery LED Series Zoom Luminaires. The rotator has a polished design to meet the aesthetic demands of high end architectural installations. The Gallery Gobo Rotator accepts either E-size metal or glass gobos (gobos not provided and by others). The heavy duty machined aluminum retaining ring holds the gobo in place and is secured in place by a spring clip for easy adjustment and replacement

Add effects to your design such as reflected water, flickering fire, shimmering light, twinkling stars, morphing textures, spinning logos, and much more. This is just part of an endless list of effects that lighting designers will create using the Altman Gallery Gobo Rotator with any E-size glass or metal gobo..

Product Features:

- For use with Gallery LED Zoom Luminaires (luminaire sold separately)
- 100-240VAC auto sensing power supply
- Available in portable or Smart Track mount models
- Reliable DC Gear motor provides increased torque to prevent stalls and rotates gobos evenly at slow speeds
- Advanced electronics allow for DMX/RDM connectivity as well as local control - DMX and RDM compliant
- Three rotatory switches to set DMX address or stand alone operation
- Available in white or black
- cETLus listed indoor applications
- Proudly made in the USA

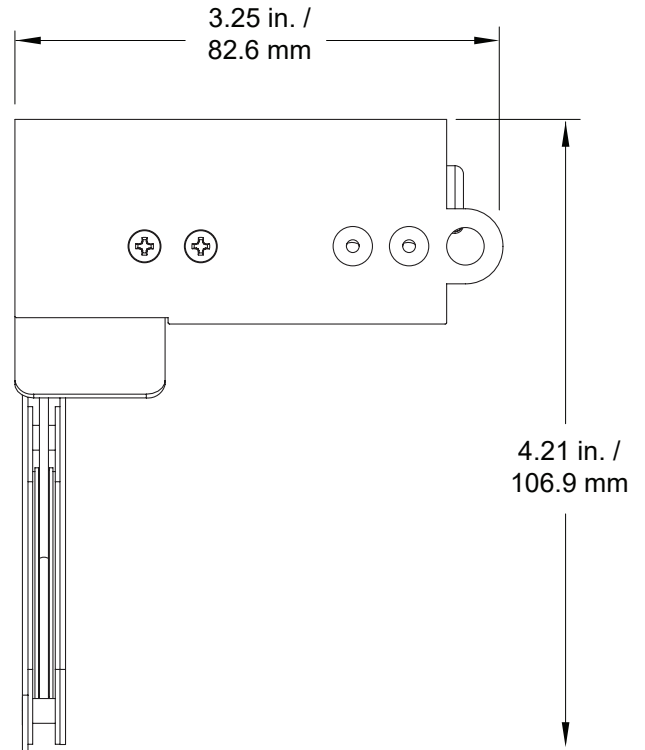
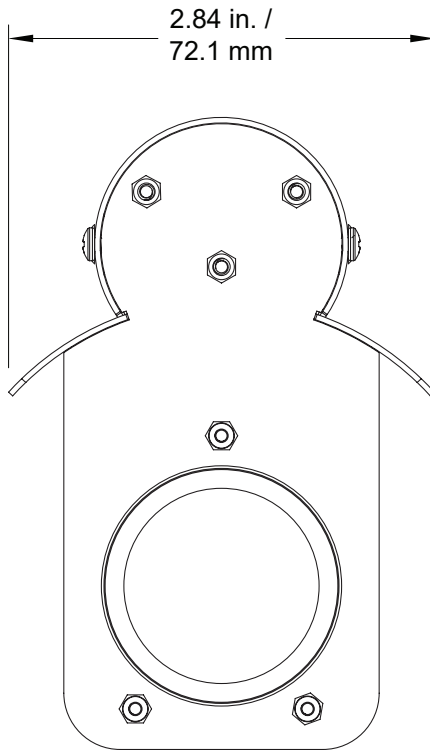


*Gallery Gobo Rotator Shown on Gallery LED Zoom Luminaire
(Power cable and power supply not shown for clarity.
Luminaire sold separately.)*



Dimensional Drawings

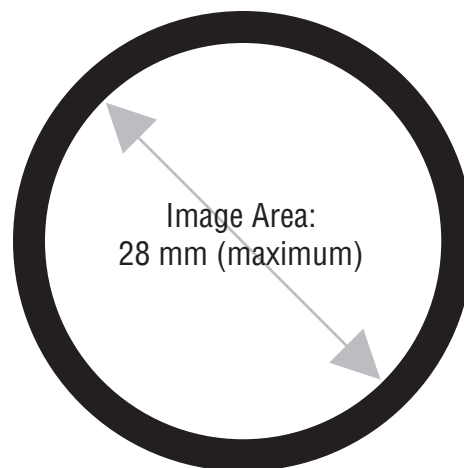
Gallery Gobo Rotator



Gobo Sizing Requirements

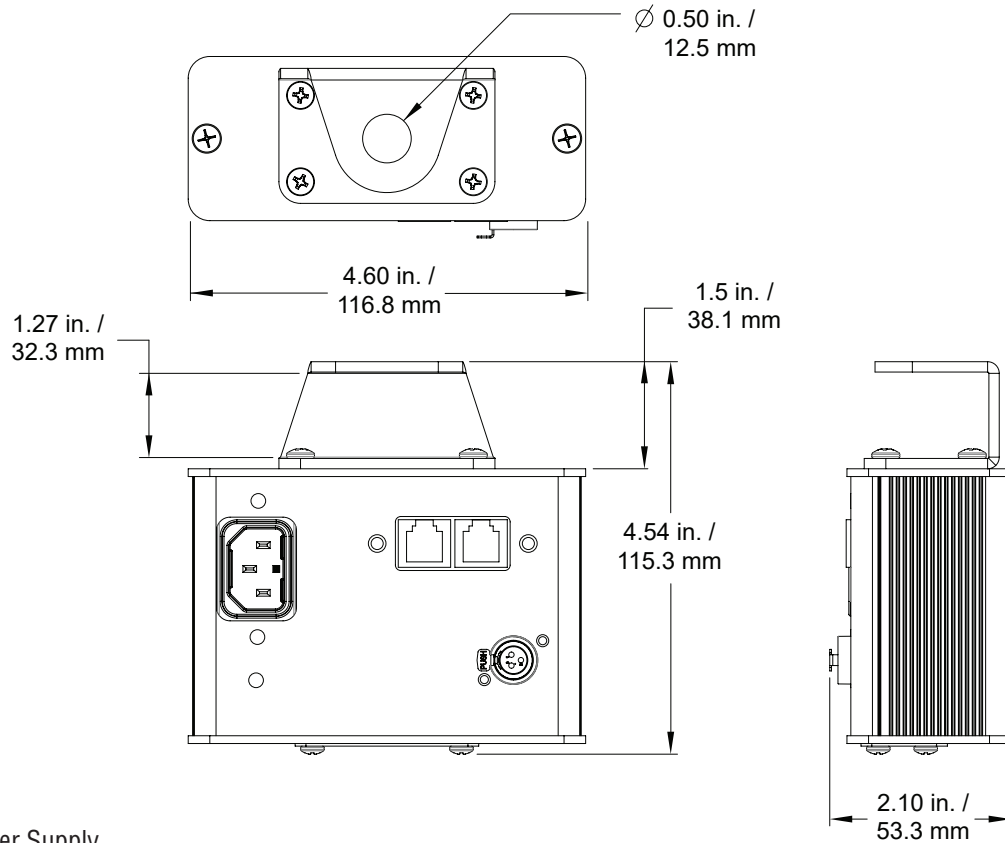
The Gallery Gobo Rotator accepts glass or metal gobos and effects that are E-Size to the dimensions described below. Gobos not included with product and are by others.

Gobo Outer Diameter:
37.5 mm (maximum)
Gobo Thickness:
3.0 mm (maximum)

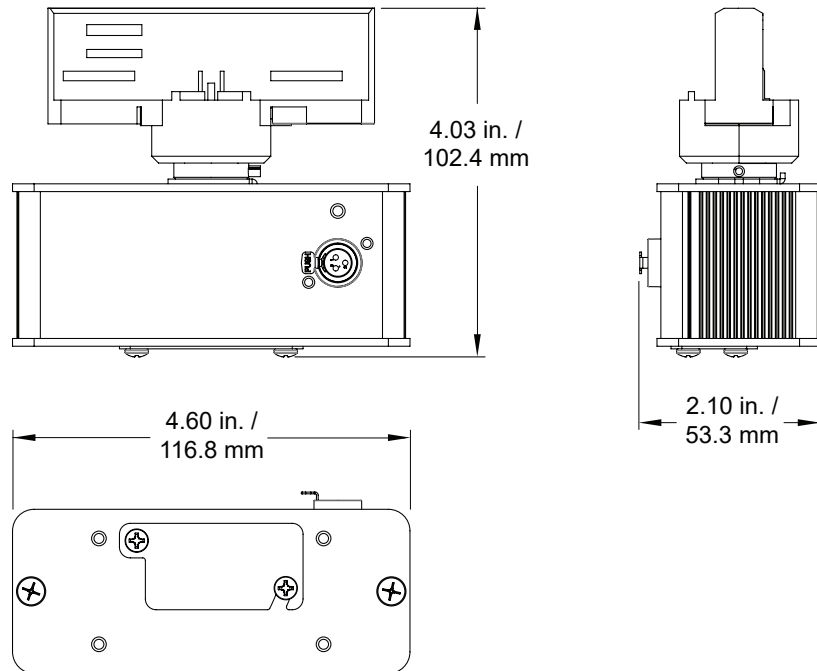


Dimensional Drawings

Portable Mount Power Supply



Track Mount Power Supply



Specifications

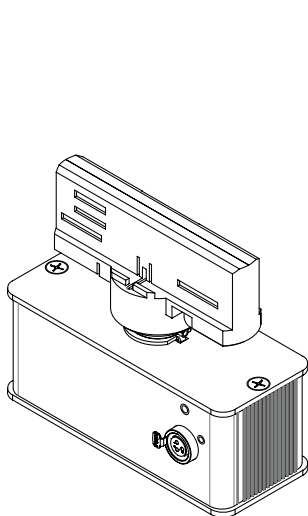
- Materials:** Construction employs all corrosion-resistant materials and hardware.
- Control:** DMX (Fully RDM Compliant) or Local
- Compatibility:** For use with Gallery LED Zoom Luminaires Only
- Input Voltage:** 100-240 VAC 50/60 Hz
- Current Max:** 0.1 Amp (maximum)
- Cooling:** Natural convection
- Environment:** 0 to 40 degrees C (32 to 104 degrees F) / 5%-95% Non condensing
- Rotation:** 1 to 5 RPM (approximate)
- Weight:** Gallery Gobo Rotator: 0.5 lbs (0.22 kgs)
Track Box Power Supply: 0.9 lbs (0.41 kgs)
Portable Power Supply: 1.1 lbs (0.50 kgs)
- Compliance:** cETLus Listed
- Warranty:** 2 Years
- Support:** Supported Forever - free phone and online tech support for the life of your product.

Ordering Information

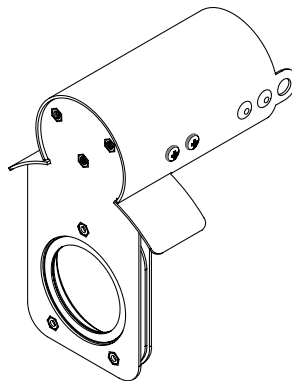
- Model:** Gallery Gobo Rotator for E-Size Gobos, Includes MSC Safety Cable (power supply sold separately)**
- GALGOBO-RTR-***
- GALGOBO-RTR-PS-*** Gallery Gobo Rotator Portable Box Power Supply with IEC power input and RJ45 Ports (DMX in / thru) and C-Clamp
- GALGOBO-RTR-TS-*** Gallery Gobo Rotator Smart Track Power Supply (2 Circuit, 120VAC Track Head)
- GALGOBO-RTR-Z-*** Gallery Gobo Rotator Smart Track Power Supply (3 Circuit, 230VAC Track Head)

*Notes:
 * Specify either (B) Black or (W) White body color.
 ** Gallery Gobo Rotator requires the purchase of either power supply.

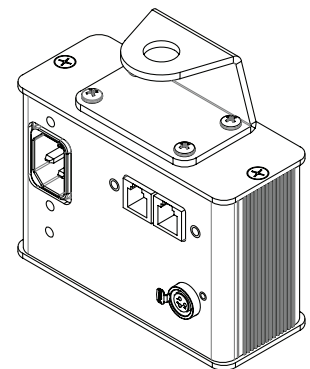
Using an unapproved power supply may damage the unit and will void the product warranty.



Gallery Gobo Rotator Power Supply (Smart Track Mount Version)



Gallery Gobo Rotator



Gallery Gobo Rotator Power Supply (Portable Mount Version)

Notes:
 (1) Drawings not to scale.
 (2) Gallery Gobo Rotator and Power Supply sold separately.
 (3) Gobos not included with product and are by others.