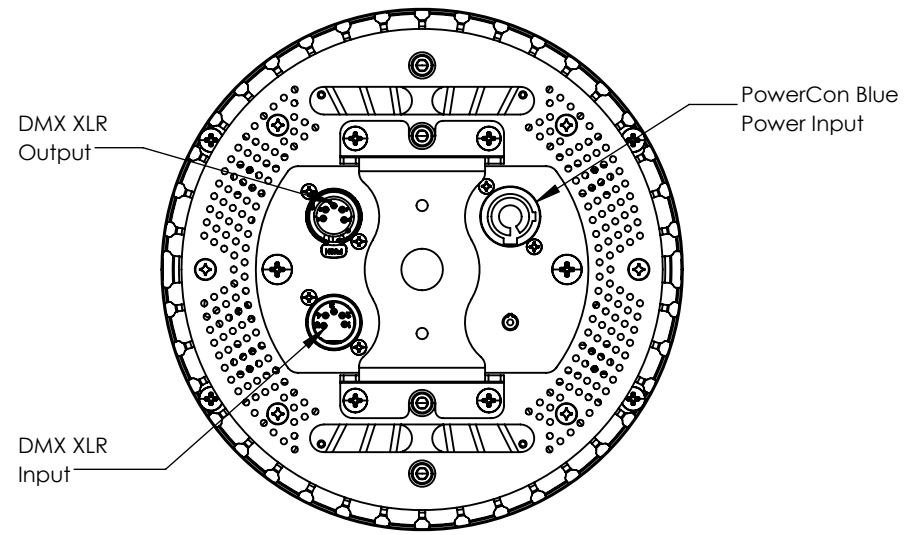
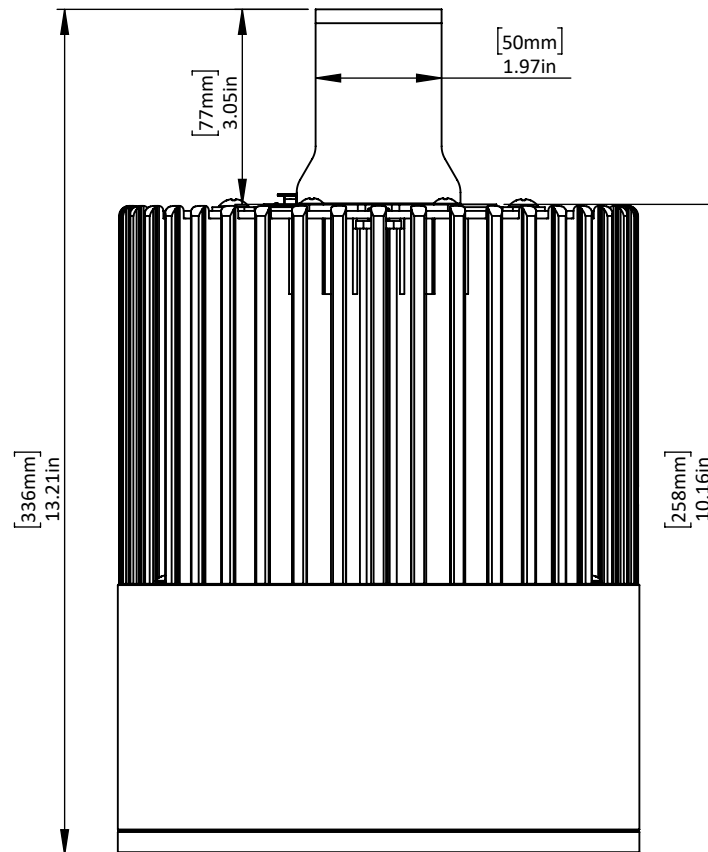


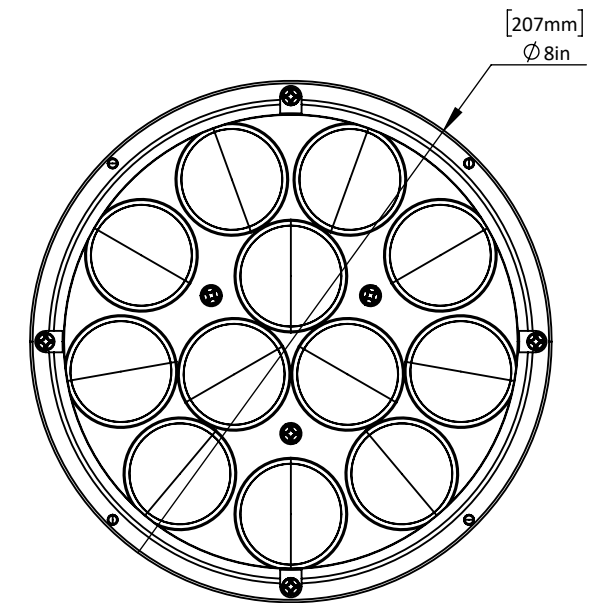
Top View



Side View



Bottom View



PRODUCT Part Numbers	
Part Numbers	Descriptions
CDP200-*-PC-**	Chalice 200 Pendant with PowerCon and XLR Connectors

* Note: Mounting options are sold separately

** When Ordering you will use B (Black), W (White) or C (Custom)

PART NO: CDP200-RGBL-PC
 DRAWN BY: MP
 DATE: 7/5/2024
 SCALE: 1:3

PRODUCT:
Chalice 200 Pendant
 with PowerCon and XLR

REV:	DATE:	NOTE:

ALTMAN
 LIGHTING
 1400 East 66th Avenue.
 Denver, CO 80229
 www.AltmanLighting.com
 +1-303-500-7072