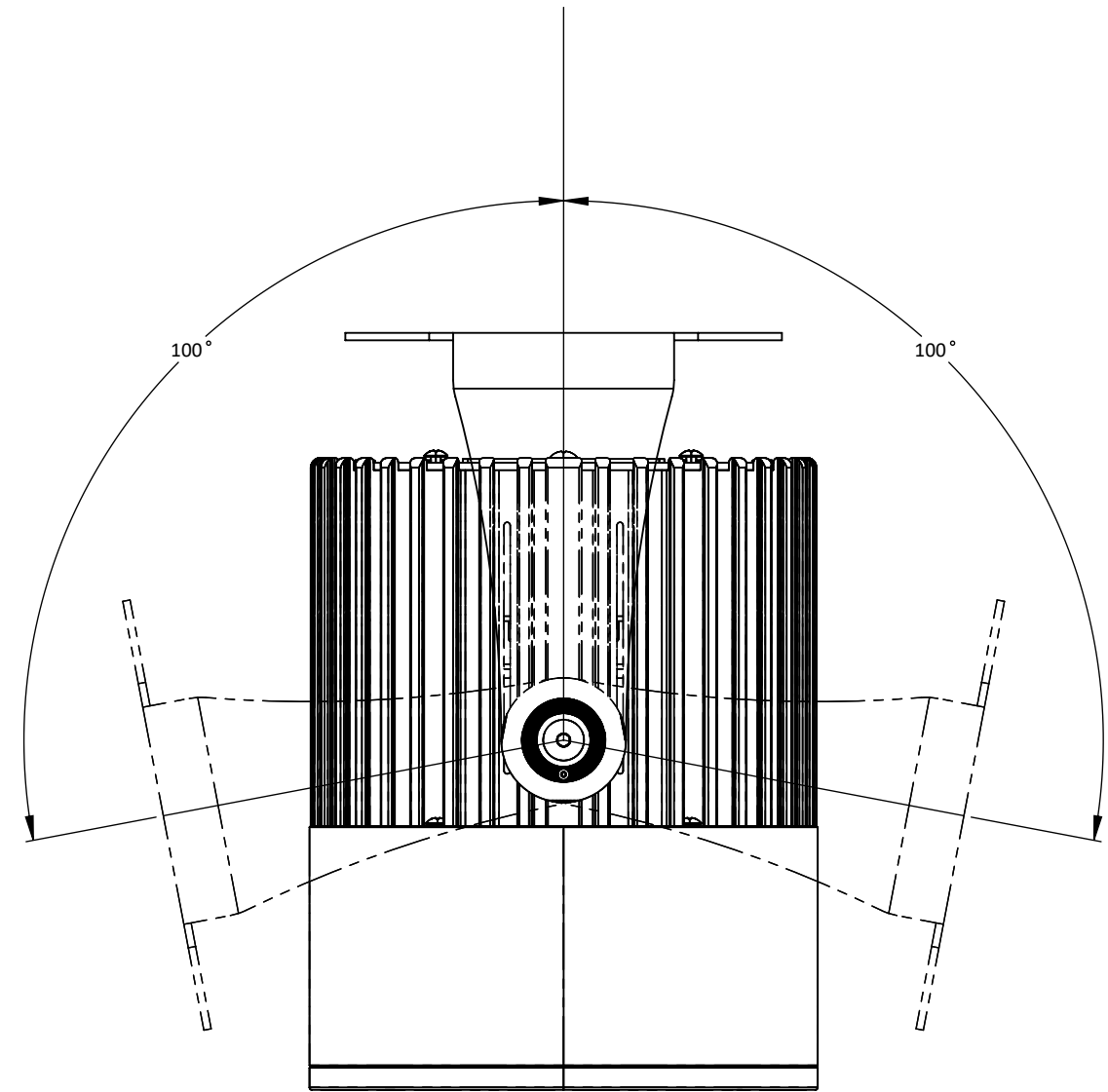
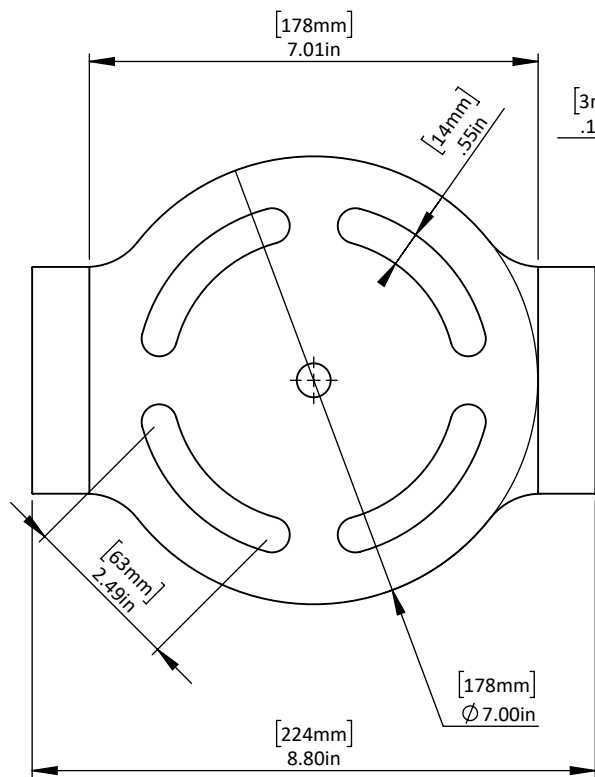


Side View

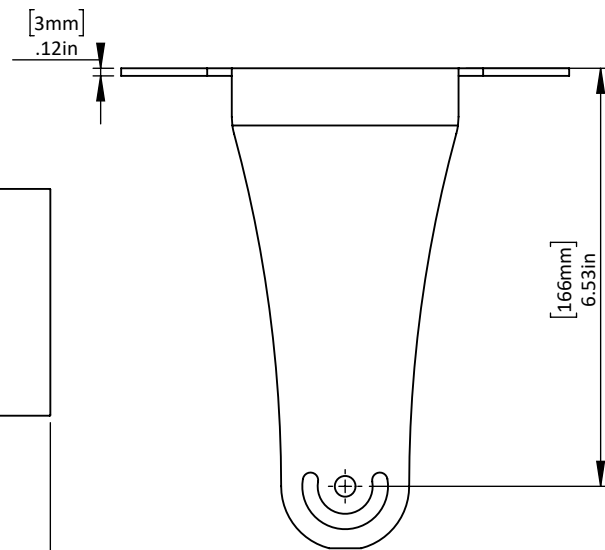
Fixture Side View with Wall Mount



Wall Mount Top View



Wall Mount Side View



PART NO: CDP200-WALL*
DRAWN BY: MP
DATE: 7/5/2024
SCALE: 1:3

PRODUCT: Chalice 200 Wall Mount Kit
--

REV:	DATE:	NOTE: