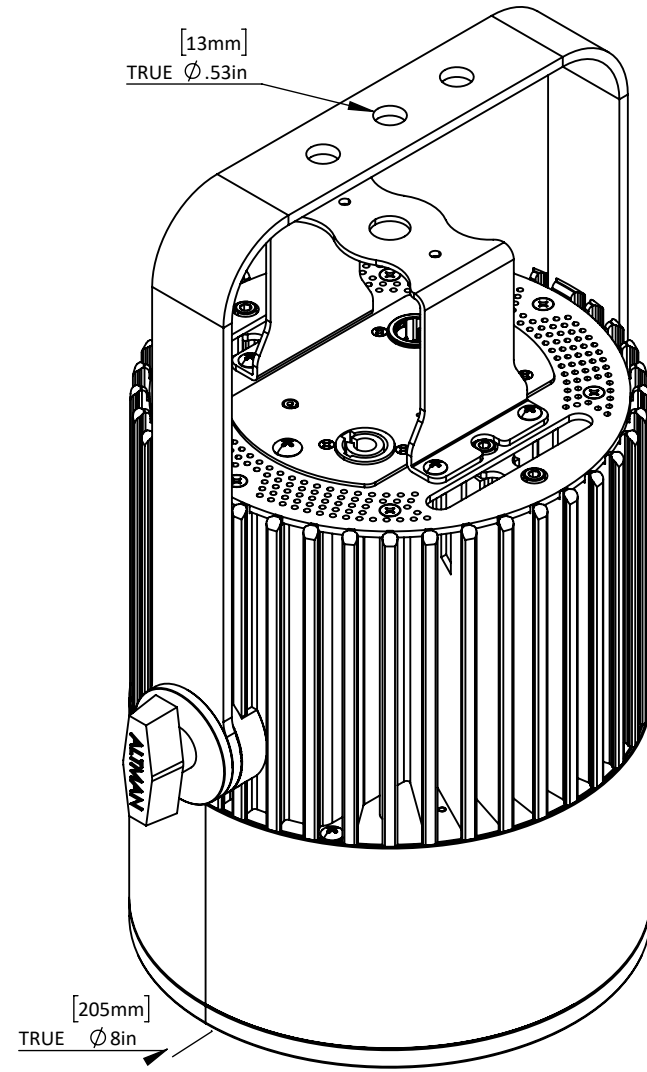
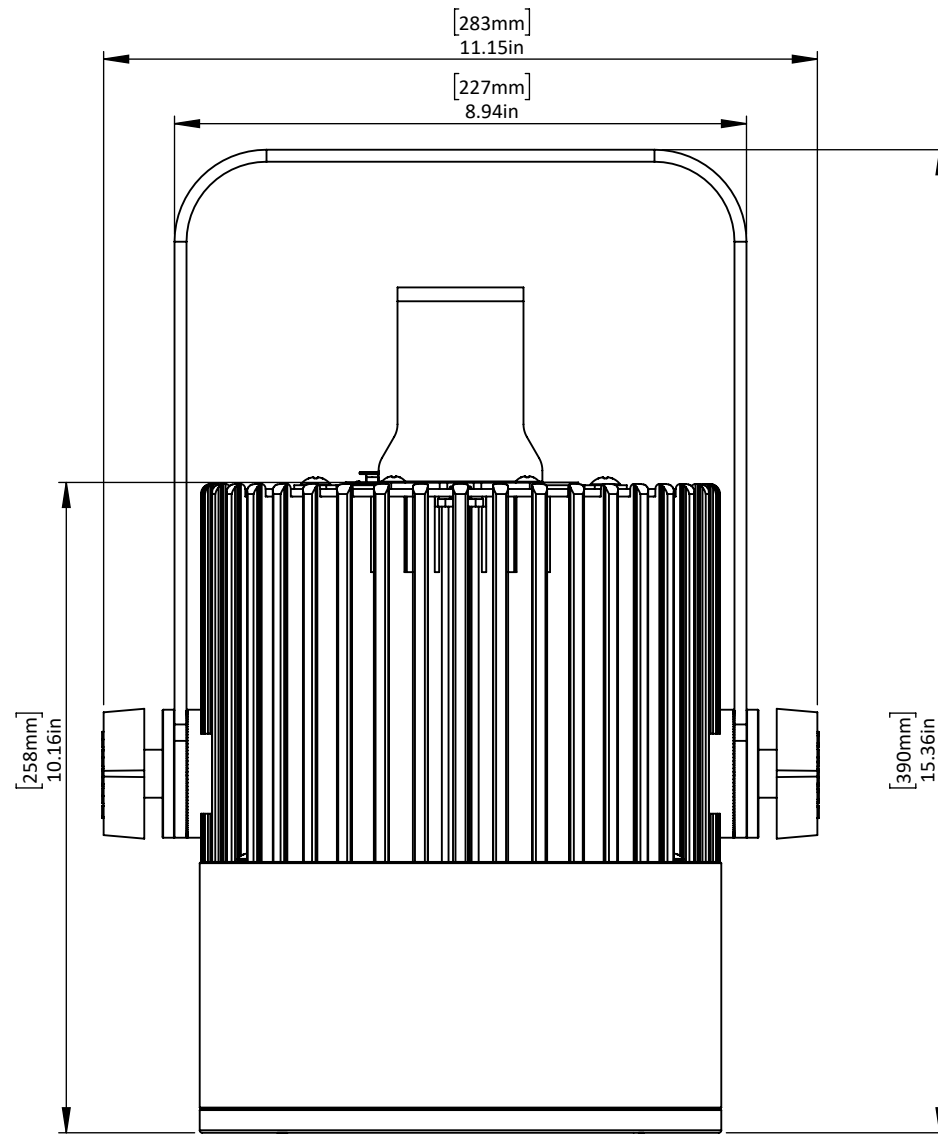
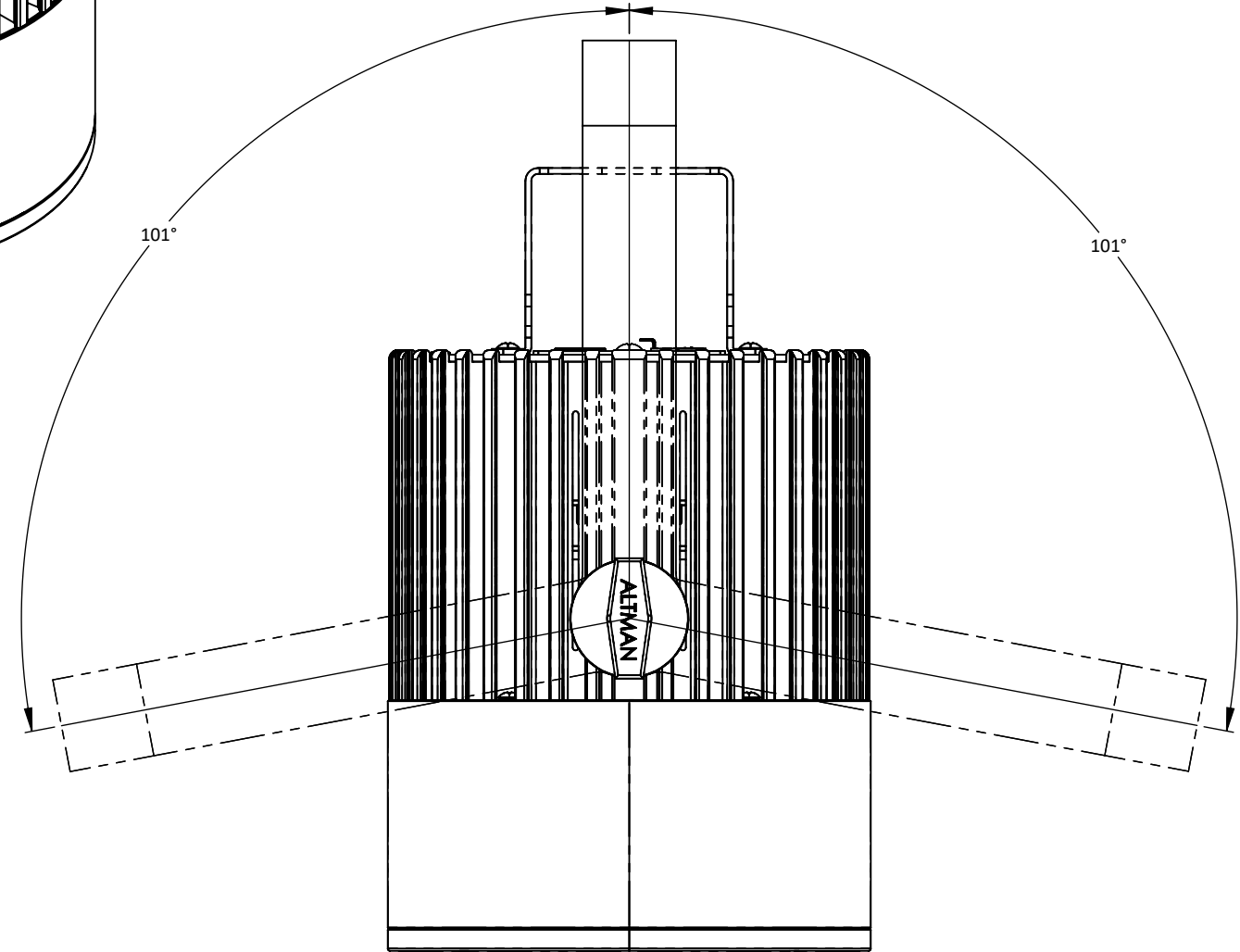


\* Note: 515 or 510 C-Clamp are sold separately

Front View



Side View



REV: DATE: NOTE:

PRODUCT:  
Chalice 200 Yoke Kit

PART NO: CDP200-YOKE\*

DRAWN BY: MP

DATE: 7/5/2024

SCALE: 1:3

**ALTMAN**  
LIGHTING

1400 East 66th Avenue.  
Denver, CO 80229  
www.AltmanLighting.com  
+1-303-500-7072