

Pegasus 6 LED Fresnel

130W 6inch LED Fresnel



The Altman Pegasus 6 Fresnel is a 6-inch white output LED Fresnel that is both Mains Dimmable and DMX controlled all in one luminaire. Pegasus replicates the soft light output that is expected from a theatrical or studio fresnel. Under 130 Watts, the 6-inch Pegasus Fresnel far surpasses the output of its 500 watt incandescent counterpart.

Under Mains Dim Control these fresnels can plug directly into your theatrical phase-cut dimmers whether they are forward or reverse phase, and have been specially designed to replicate the smooth dimming curve of their incandescent twin. A 120/230 switch on the back of unit allows you to set the dimming curve for both 120 VAC and 230 VAC dimming systems.

If your lighting system consists of constant power and DMX data then Pegasus is also right choice for you. With the flip of a switch Pegasus converts from Mains Dimmable to a DMX / RDM controlled unit.

Pegasus is available in a number of different color temperatures from 2700K, 3000K, 4000K, and 5000K. Pegasus boasts a very high CRI, >90, and can be used with standard theatrical gel as well as gels that have been specifically formulated for LEDs.



Product Features

- Delivers the output performance of a 500W Incandescent fresnel fixture
- 10,758 Lumens, LED and lens position dependent
- Mains Dimmable or DMX Controlled
- Available in both 6 and 8-inch models
- Available in four (4) different Color temperatures
- PowerCON & DMX in / thru connections
- Fully RDM Compliant when in DMX mode
- Electronic universal power supply 100-240VAC
- Fully homogenized beam
- High resolution digital dimming for both Mains Dimmable and DMX control
- 15 to 85 degree spot to flood beam spread
- 50,000 hours of life expectancy
- All metal construction
- Spot to flood focus adjustment
- Color frame, and safety cable included
- 11.5 lbs. / 5.22 kg. (including safety cable and yoke)
- cETLus listed and CE marked for indoor use
- Made in the USA
- Five (5) year and one (1) day warranty
- No cost technical support for the life of your product

Pegasus 6 LED Fresnel



130W 6inch LED Fresnel

Photometric

Pegasus 6 set to Spot - 15 Degree

Output Setting		Beam Angle			
Full On		15°			
Throw Distance		5ft (1.5m)	10ft (3.0m)	15ft (4.5m)	20ft (6.1m)
Beam Diameter		1.3ft (0.3m)	2.7ft (0.8m)	4.0ft (1.2m)	5.4ft (1.6m)
2700K	Illuminance (fc) at Full On	1129	282	125	71
	Illuminance (lux) at Full On	12148	3034	1345	764
3000K	Illuminance (fc) at Full On	1204	301	134	75
	Illuminance (lux) at Full On	12955	3238	1441	807
4000K	Illuminance (fc) at Full On	1327	332	148	83
	Illuminance (lux) at Full On	14278	3572	1592	893
5000K	Illuminance (fc) at Full On	1411	353	157	88
	Illuminance (lux) at Full On	15182	3798	1689	947

Note: To Calculate the Beam Diameter in feet with the Pegasus 6 set to Spot Setting or 15 Degree Lens, Multiply any distance by 0.266.

Pegasus 6 set to Medium - 45 Degree

Output Setting		Beam Angle			
Full On		45°			
Throw Distance		5ft (1.5m)	10ft (3.0m)	15ft (4.5m)	20ft (6.1m)
Beam Diameter		4.0ft (1.2m)	8.1ft (2.4m)	12.1ft (3.6m)	16.2ft (4.9m)
2700K	Illuminance (fc) at Full On	518	129	58	32
	Illuminance (lux) at Full On	5574	1388	624	344
3000K	Illuminance (fc) at Full On	552	138	61	35
	Illuminance (lux) at Full On	5940	1485	656	377
4000K	Illuminance (fc) at Full On	609	152	68	38
	Illuminance (lux) at Full On	6553	1635	732	409
5000K	Illuminance (fc) at Full On	647	162	72	40
	Illuminance (lux) at Full On	6964	1743	775	430

Note: To Calculate the Beam Diameter in feet with the Pegasus 6 set to Medium Setting or 45 Degree Lens, Multiply any distance by 0.806.

Pegasus 6 set to Wide - 85 Degree

Output Setting		Beam Angle			
Full On		85°			
Throw Distance		5ft (1.5m)	10ft (3.0m)	15ft (4.5m)	20ft (6.1m)
Beam Diameter		7.6ft (2.3m)	15.3ft (4.6m)	22.9ft (6.9m)	30.6ft (9.3m)
2700K	Illuminance (fc) at Full On	205	51	23	13
	Illuminance (lux) at Full On	2205	584	248	140
3000K	Illuminance (fc) at Full On	219	55	24	14
	Illuminance (lux) at Full On	2356	591	258	150
4000K	Illuminance (fc) at Full On	241	60	27	15
	Illuminance (lux) at Full On	2593	645	290	161
5000K	Illuminance (fc) at Full On	256	64	29	16
	Illuminance (lux) at Full On	2851	688	312	172

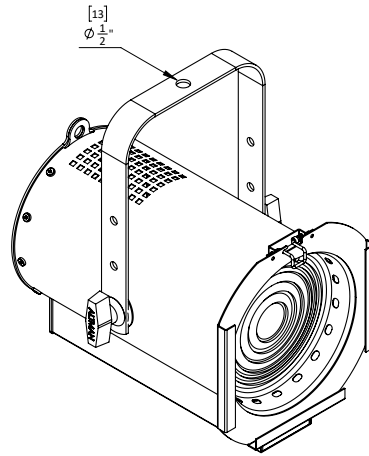
Note: To Calculate the Beam Diameter in feet with the Pegasus 6 set to Wide Setting or 85 Degree Lens, Multiply any distance by 1.53.

Pegasus 6 LED Fresnel

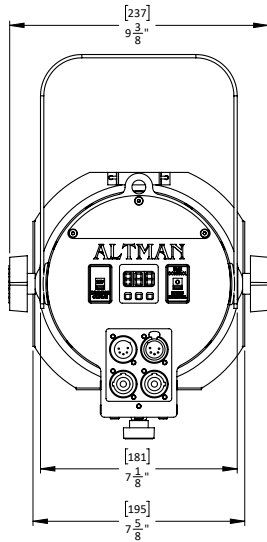
130W 6inch LED Fresnel



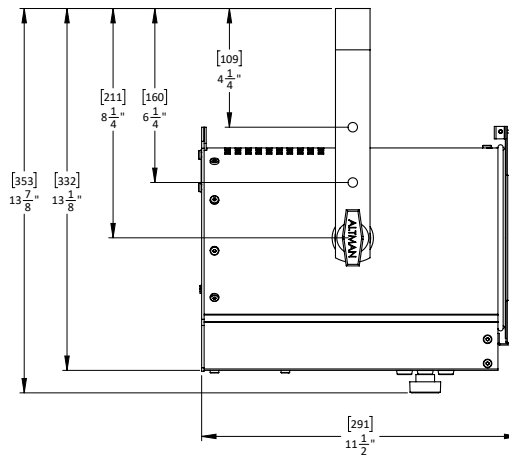
Dimensions



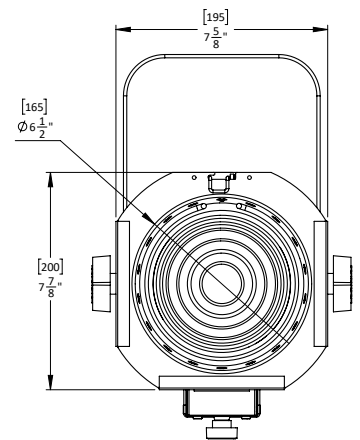
Rear View



Side View



Front View



Pegasus 6 LED Fresnel

130W 6inch LED Fresnel



Specifications

LED Source

LED	LED Chip Available in 2700K, 3000K, 4000K, or 5000K
Max Power Consumption	130W
LED Refresh Rate	Array rating >50,000 hours to L70
Beam Lumens	>10,758 Lumens, LED and lens position dependent
CRI	>90

Color

Color Temperature Range	2700K, 3000K, 4000K, or 5000K
Dimming Curves	Linear, Incandescent Fade

Optical

Zoom Range	15 to 85 degree spot to flood beam spread
Aperture Size	6in

Control and Programming

Input Method:	High resolution digital dimming for both Mains Dimmable and DMX control
Protocols:	DMX / RDM
Modes:	DMX or Mains
RDM Configuration:	Yes (DMX Mode)
User Interface:	Yes (DMX Mode)
Mains Dim:	For fixtures that are mains dim controlled, do not connect more than four (4) luminaires to the same dimmer. Connecting more than four luminaires to the same dimmer will result in undesired low-end dimmer response. Note: dimmer must be sized appropriately to handle the luminaire load.

Electrical

Voltage Range	100-240 VAC 50/60 Hz
Input Connection	PowerCon In and Thru
Current Inrush	15Apk Max 1/2 cycle @230VAC
Fixtures Per Circuit	DMX: Up to 7 Units at 120VAC* Up to 12 units at 230 VAC* Mains Dim: 4 Per Dimmer
Wattage	130 Wattage
Current Draw	1.25A at 120VAC / 0.65A at 230VAC
Quiescent Load	12 Watts (DMX Mode Only)

Thermal

Ambient Operating Temp	0 - 40°C (32 - 104°F) with humidity of 5-95% non-condensing)
Fan	Active, fan
dB	<19dBa @ 0.5m
BTUs/Hour	443.56 BTU per Hour

Construction

Materials:	Corrosion-resistant materials and hardware
Color Options:	Black, White or Custom
Mounting:	Yoke
IP Rating:	IP20

Warranty

Fixture:	5 Years and 1 Day.
----------	--------------------

Compliance

Compliance:	cETLus listed for indoor use
-------------	------------------------------

Pegasus 6 LED Fresnel

130W 6inch LED Fresnel



Ordering Information

Models

Model:	LED Array: *	Body Color: **
PEG6PL - Pegasus 6	2K - 2700K White LED 3K - 3000K White LED 4K - 4000K White LED 5K - 5000K White LED	B - Black W - White C - Custom

Note: When ordering the fixture simply select an option from each column and that will produce your ordering part number.

Example - For the Pegasus 6 with an 3000K LED Array in Black, the part number would be PEG6PL-3K-B

Color: Fixture ship standard as Black. If White or Custom are required that could result in a longer lead time.

Custom Color: Consult factory for custom colors

Included Items

Model:	Description:
PEG6PL-*-**	Color Frame (6-CF), 36-inch Black Safety Cable (SC-36-BK), 5-foot 20A Power-CON with Edison Connector (PCL-PBG-12)

Accessories

Model:	Description:
510	Malleable Iron Clamp
515	Extruded Aluminum C-Clamp
SC-36-BK	36-Inch Black Safety Cable with Spring Clip
6-BD-4	4-Way Barn Door
6-SN	6in Snoot
ST-PTO	Smart Track (Eutrac) (120V, two circuit) to PowerCON - power only adapter with luminaire track mounting hardware (only in black)
ST-PDTO	Smart Track (Eutrac) (120V, two circuit) to PowerCON / 5-Pin XLR - Power and DMX adapter with luminaire track mounting hardware (only in black)
ST-STU-PTO	Smart Track (Stucchi) (120V, two circuit) to PowerCON - power only adapter with luminaire track mounting hardware (only in black)
ST-STU-PDTO	Smart Track (Stucchi) (120V, two circuit) to PowerCON / 5-Pin XLR - Power and DMX adapter with luminaire track mounting hardware (only in black)

Note: There are many aftermarket accessories for Altman Lighting products available through third-party suppliers. When considering these aftermarket accessories, we suggest that you consult with your Altman Regional Sales Manager beforehand regarding capability and effects on product performance.

Power Input Cables

Model:	Connector Type:	Wire Size:	Length:
PCL - PowerCON Blue	BARE - Bare End Cable 2P&G - Stage Pin Male PBG - Edison Male TLG - L5-20 Twist Lock Male	12	5 - 5ft 10 - 10ft 25 - 25ft

Note: When ordering the PowerCON Cable simply select an option from each column and that will produce your ordering part number.

DMX Cables

Model:	Number of Pins:	Length:
XLR - DMX Cable	5 - 5 pin DMX	5 - 5ft 10 - 10ft 15 - 15ft 25 - 25ft 50 - 50ft 100 - 100ft

Note: When ordering the XLR DMX Cable simply select an option from each column and that will produce your ordering part number.